

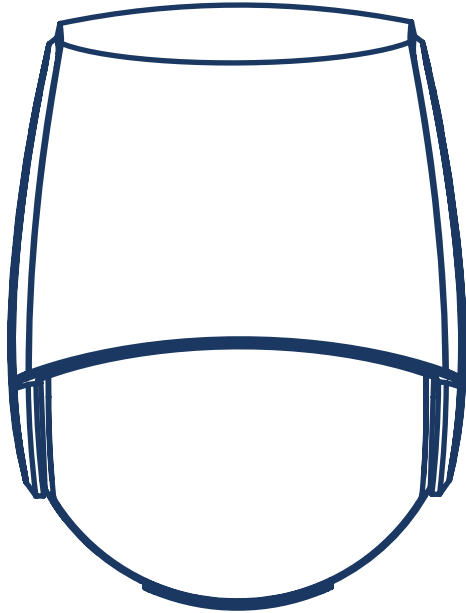
LZR®-WIDESCAN

OPENING, PRESENCE, & SAFETY SENSOR FOR INDUSTRIAL DOORS



A Halma company

EN



MECHANICAL INSTALLATION (MOUNTING & WIRING)



Visit website for available languages of this document.



Download the installation app!

WHAT'S IN THE BOX



LZR-WIDESCAN
(see next page for full diagram)



30 ft
power cable (35.1554)



mounting screws (50.0048)

DOCUMENTS:

Mechanical Installation Guide (75.0047)

Programming Guide (75.0048)

LZR-WIDESCAN Menu Tree (78.8004)

WHAT YOU'LL NEED

- Phillips head screwdriver
- LZR-WIDESCAN mobile app (not required, but highly recommended)
- BEA Remote Control



required for use with Industrial Bracket and Mini Bracket

Adapter Kit (10.1311)

OPTIONS SOLD SEPARATELY



50 ft
power cable (35.1555)



Universal Mounting Bracket (10WBA)



Industrial Bracket (10INDBRACKET)



Mini Bracket (10MINIBRACKET)

TECHNICAL SPECIFICATIONS

Technology	LASER scanner, time-of-flight measurement (7 laser curtains)	
Detection mode	Motion, presence, height, and speed	
Max. detection field	Width: 1.2 × mounting height Depth: 1.2 × mounting height	<i>adjustable, depending on user settings</i>
Thickness of first curtain	¼ inch	
Typ. mounting height	6'6" – 32'	
Min. reflectivity factor	> 2 % (of floor and object) (measured at max. 19'6" in safety field)	
Typ. min. object size	6" @ 19'6" (in proportion to object distance)	
Testbody	27 ½" × 11 ¾" × 7 ¾"	
Emission characteristics		
IR laser:	wavelength 905 nm; output power 0.10mW (CLASS 1)	
Red visible laser:	wavelength 635 nm; output power 0.95mW (CLASS 2)	
Supply voltage	12 – 24 VAC -10/+20%	12 – 30 VDC ±10% @ sensor terminal
Power consumption	< 2.5 W (heating: off)	< 10 W, max 15 W (heating: eco or auto)
Response time	Typ. 230 ms; max. 800 ms (depending on immunity settings)	
Output	2 solid-state relays (galvanic isolation, polarity free) 24 VAC / 30 VDC (max. switching voltage) – 100 mA (max. switching current) - in switching mode: NO/NC - in frequency mode: pulsed signal (f= 100 Hz ±10%) 1 electro-mechanic relay (galvanic isolation, polarity free) 42 VAC/VDC (max. switching voltage) – 500 mA (max. switching current)	
Input	30 VDC (max. switching voltage) low < 1 V high > 10 V (voltage threshold)	
Bluetooth communication	Operating bandwidth: 2402 - 2480 MHz Max. transmitted power: 12 dBm	
LED signals	2 tri-colored LED: Output status / remote control response / error signals 1 blue LED: bluetooth status	
Dimensions	7 ¾" (H) x 6" (W) x 4" (D) (approx.)	
Material / Color	PC/ASA / Black	
Rotation angles on bracket	45° to the right, 15° to the left (lockable)	
Tilt angles on bracket	-10 – 5°	
Protection degree	NEMA 4 / IP65	
Temperature range	-22 – 140 °F	
Norm conformity	IEC 61000-6-2 IEC 61000-6-3 IEC 60950-1	IEC 60825-1 ISO 13849-1 Pl "d"/ CAT2 IEC 62061 SIL 2

Specifications are subject to change without prior notice. All values measured in specific conditions.

BEA, INC. INSTALLATION/SERVICE COMPLIANCE EXPECTATIONS

BEA, Inc., the sensor manufacturer, cannot be held responsible for incorrect installations or incorrect adjustments of the sensor/device; therefore, BEA, Inc. does not guarantee any use of the sensor/device outside of its intended purpose.

BEA, Inc. strongly recommends that installation and service technicians be AAADM-certified for pedestrian doors, IDA-certified for doors/gates, and factory-trained for the type of door/gate system.

Installers and service personnel are responsible for executing a risk assessment following each installation/service performed, ensuring that the sensor/device system performance is compliant with local, national, and international regulations, codes, and standards.

Once installation or service work is complete, a safety inspection of the door/gate shall be performed per the door/gate manufacturer's recommendations and/or per AAADM/ANSI/DASMA guidelines (where applicable) for best industry practices. Safety inspections must be performed during each service call – examples of these safety inspections can be found on an AAADM safety information label (e.g. ANSI/DASMA 102, ANSI/DASMA 107, UL294, UL325, and International Building Code).

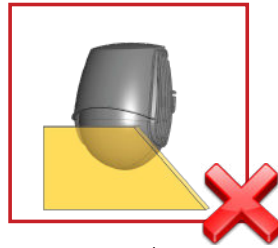
Verify that all appropriate industry signage, warning labels, and placards are in place.



INSTALLATION & MAINTENANCE TIPS



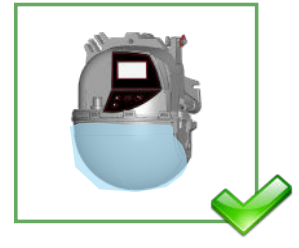
Avoid extreme vibrations.



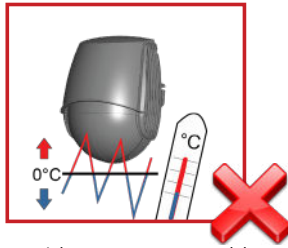
Do not cover the sensor.



Avoid moving objects and light sources in the detection field.



Keep the protection film during the mounting of the sensor. Remove it before launching a teach-in.



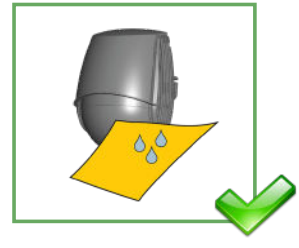
Avoid exposure to sudden and extreme temperature changes.



Do not use aggressive products to clean the optical parts.

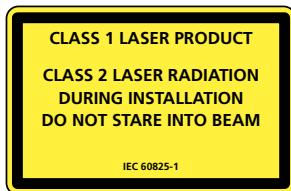


Avoid direct exposure to high-pressure cleaning.



It is recommended to clean the optical parts at least once a year or more if required due to environmental conditions.

SAFETY



The device emits invisible (IR) and visible laser radiations that can be activated during the installation process to adjust precisely the position of the detection field.

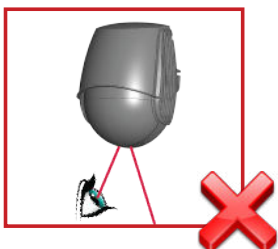
The visible laser beams are inactive during normal functioning.

Do not stare into visible laser beams.

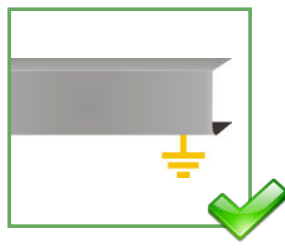


CAUTION!

Use of controls, adjustments, or performance of procedures other than those specified herein may result in hazardous radiation exposure.



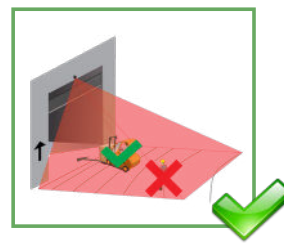
Do not look directly into the laser emitter or the visible red laser beams.



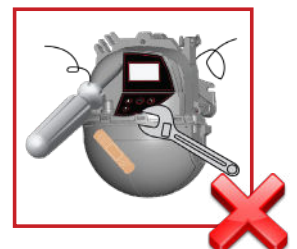
The door control unit and the header cover profile must be correctly grounded.



Only trained and qualified personnel are recommended to install and set up the sensor.

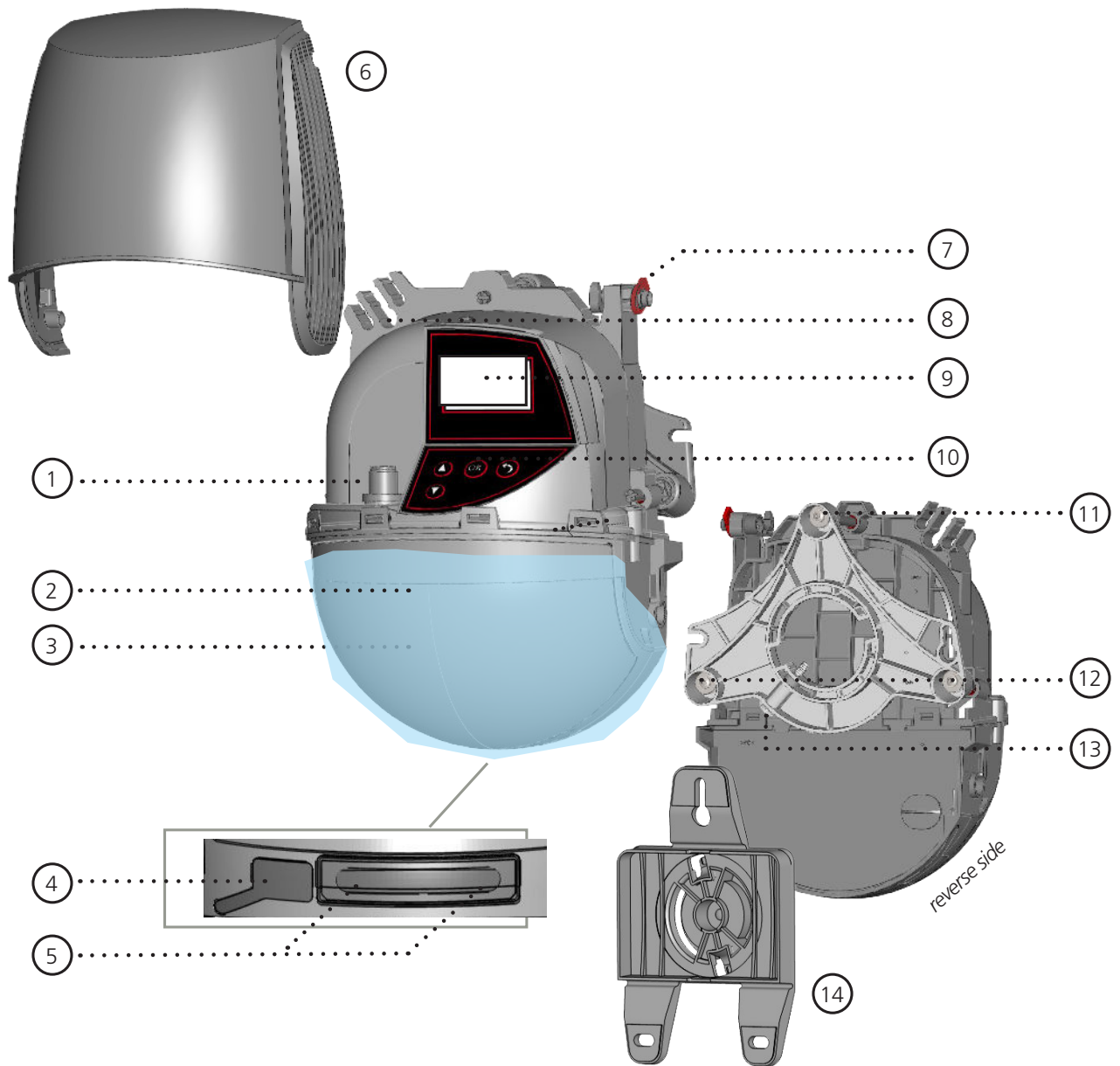


Following installation, always test for proper operation before leaving the premises.



The warranty is invalid if unauthorized repairs are made or attempted by unauthorized personnel.

DESCRIPTION



1. main connector
2. protection film
3. laser window
4. USB cap
5. LED display
6. cover
7. cover lock
8. cable passage
9. LCD screen
10. keypad
11. tilt angle adjustment screw (1)
12. parallel angle adjustment screw (2)
13. lateral angle lock screw (1)
14. mounting bracket

LZR-WIDESCAN MOBILE APP



BEA, Inc. highly recommends downloading the LZR-WIDESCAN mobile app.

The LZR-WIDESCAN mobile app is an incredibly useful tool for mechanical installation verification and setup/programming.



See *LZR-WIDESCAN Mobile App Registration (75.0029)* for information regarding app registration and Bluetooth-pairing sensors.

1 DETERMINE MOUNTING LOCATION

1. DETERMINE **MINIMUM** MOUNTING HEIGHT

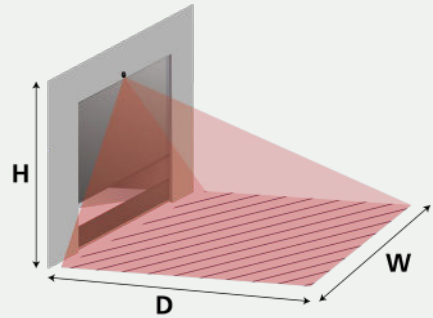
Note: Absolute minimum sensor mounting height is 6'6".

Determine desired width and depth of the detection area.

WIDTH: _____ DEPTH: _____

Take whichever dimension is larger, and divide that by 1.2 (or multiply by $\frac{5}{6}$).
This is your minimum mounting height.

MIN. MOUNTING HEIGHT: _____

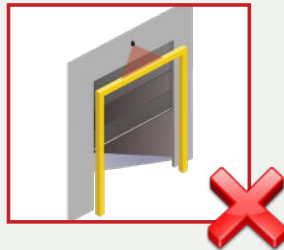


2. CHECK FOR OBSTRUCTIONS (If you can't see the LZR-WIDESCAN, it can't see you!)

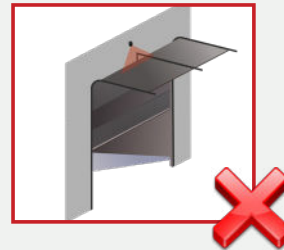
At or above the minimum mounting height, check for any obstructions such as door hardware, protective posts, signs, light fixtures, and even walls. Interruptions such as these will lead to masking and flatness errors during the teach-in process.



ex: door hardware



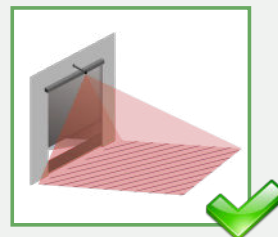
ex: protective post



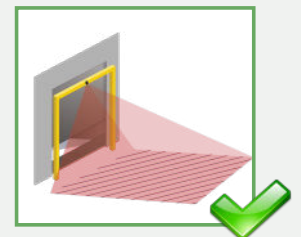
ex: sectional overhead door

If there are any obstructions, you can:

- move the mounting location higher until the obstructions are no longer within the field of view of the sensor
- choose a mounting bracket for your application (see page 2)
- mount onto a protective post if one is available



ex: use mounting bracket



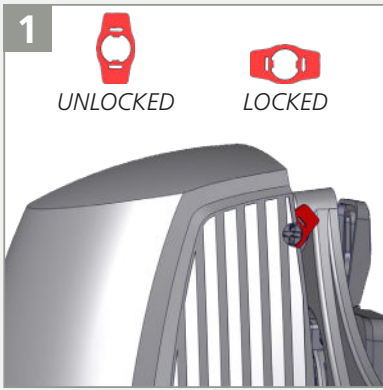
ex: mount on post

3. DETERMINE MOUNTING POSITION

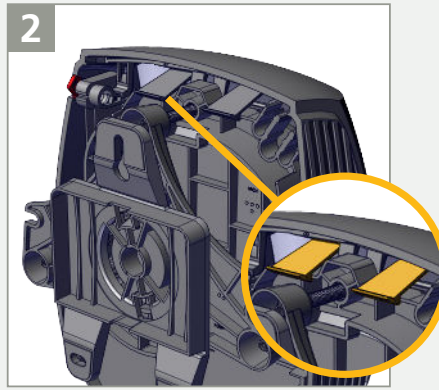
Options: center (recommended) and off-center (left or right, left preferred if it must be off-center)

Check to make sure that the height and location will allow complete coverage of the door/opening.

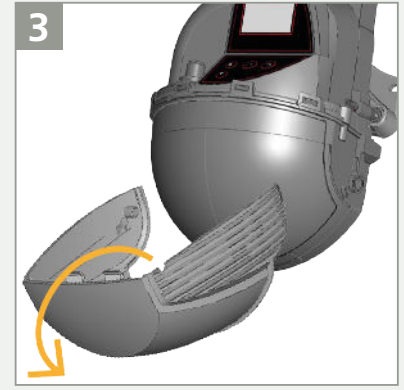
2 OPEN THE SENSOR



Before opening the sensor, make sure the cover is **not locked** (red cover lock). *Be sure to not turn the lock too far, because the lock can break.*

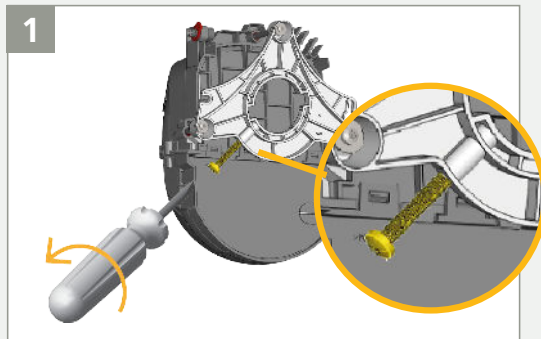


Pull the two legs on top in order to open the cover.

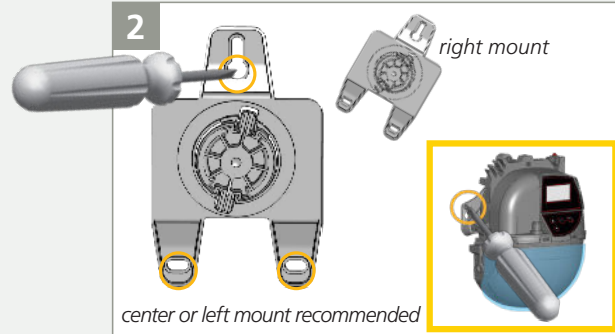


Remove the cover **completely** before installing the sensor.

3 MOUNTING

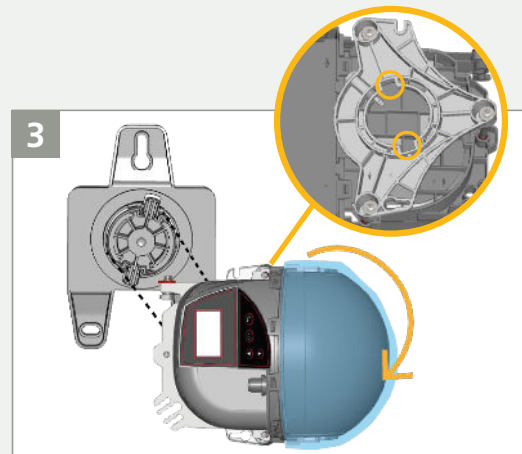


Verify that the angle lock screw is positioned as indicated. Unscrew slightly if necessary.

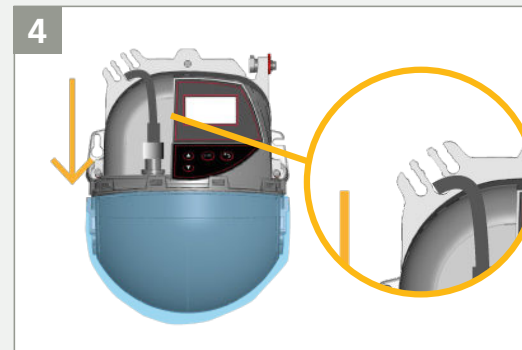


Remove the mounting bracket from the sensor by twisting CCW until the sensor detaches, and then secure the bracket to the wall. *If using a right-mount position, the bracket must be positioned at a ~30° angle.*

You can also install the sensor directly without using the mounting bracket (see inset, not recommended).



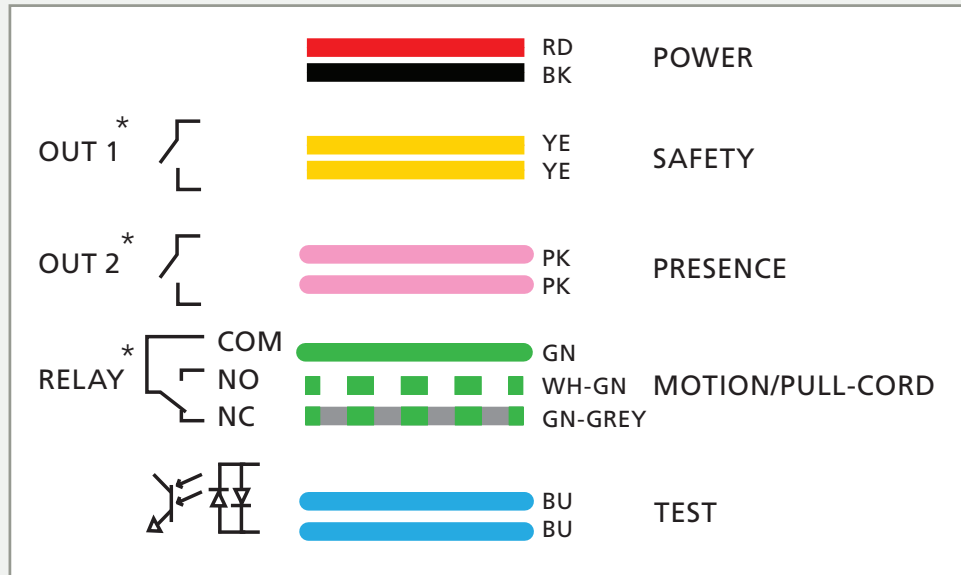
Tilt the sensor on its left side, align the tabs on the bracket with the notches on the back bracket of the sensor, and then rotate the sensor CW until the sensor is securely attached.






Plug in the connector and pass the cable (PN 35.1554) through the cable passage without making a loop.





4 WIRING

Connect the wires according to door manufacturer recommendations. The output functions can be configured if necessary (see page 9). See Appendix (page 17) for old harness wiring diagrams.



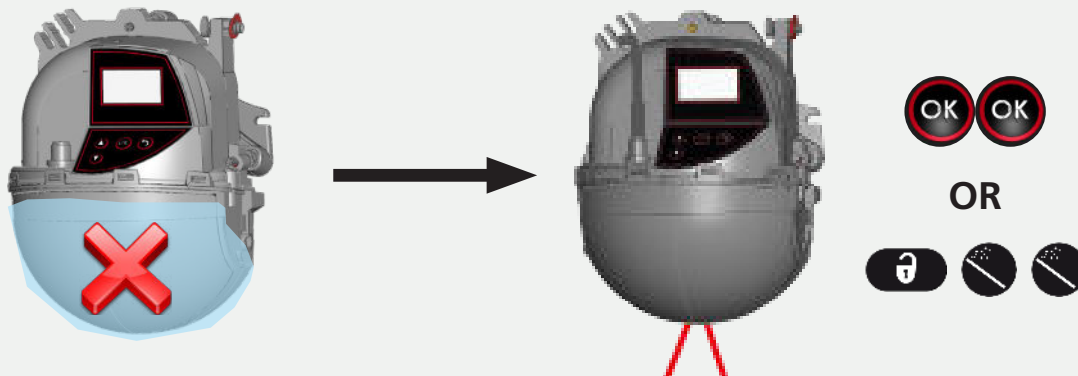
*output status powered during non-detection with factory values

Teach-in reminder:   

Push OK to return to detection display:    

5 POSITION THE DETECTION FIELD

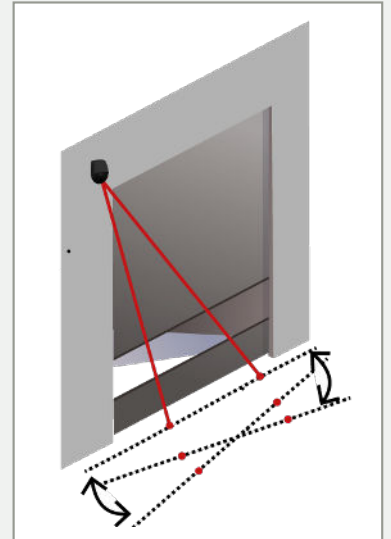
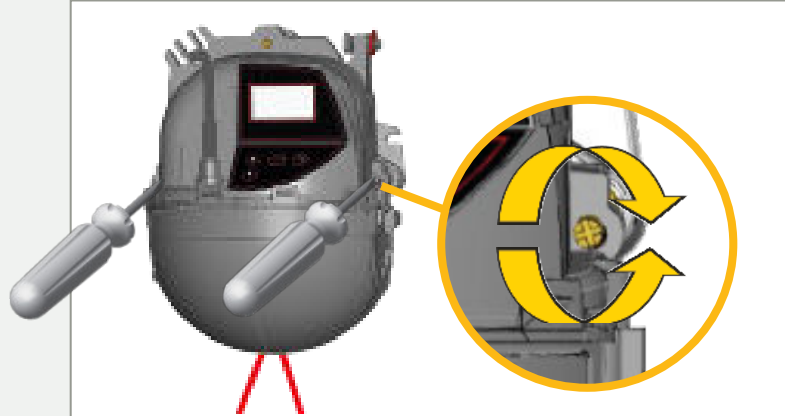
- 1 Remove the blue protection film from the laser window and then activate the two visible laser spots by pressing the OK button twice. You can also press UNLOCK > MAGIC WAND > MAGIC WAND on the remote control.



5 POSITION THE DETECTION FIELD (cont.)

2. ADJUST THE PARALLEL ANGLE

To make the curtain parallel to the door, adjust one or both screws on the side of the sensor.
If using the app, verify angle setting.

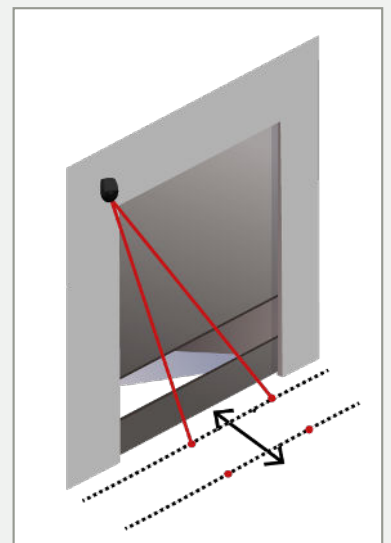
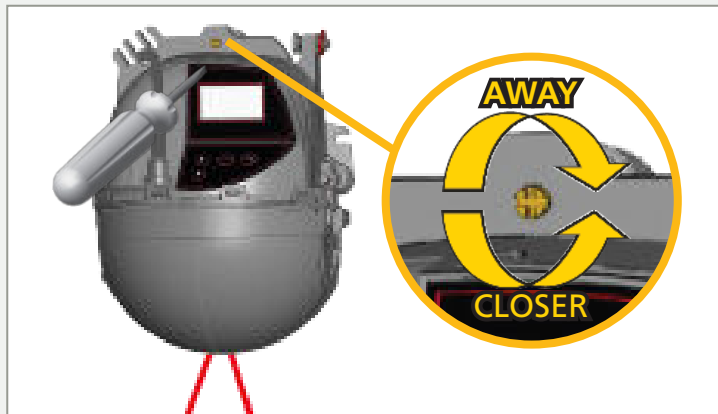


3. ADJUST THE TILT ANGLE

To position the curtain closer or farther away from the door, adjust the screw at the top of the sensor.

If using the app, verify angle setting.

NOTE: When the safety function is required, position the red spots as close to the door as possible. Negative angles reduce the maximum possible depth of the detection fields.



5 POSITION THE DETECTION FIELD (cont.)

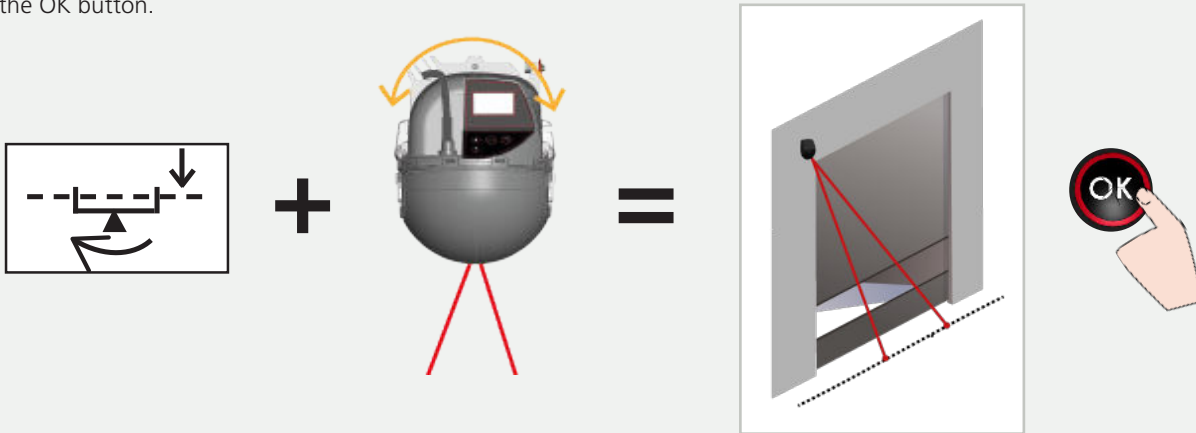
4. ADJUST THE LATERAL ANGLE

Using the following instructions, launch the Position Wizard to position the detection field correctly in front of the door. This feature is required for any off-center mounting positions, but also useful for a center-mount to verify the centered position.

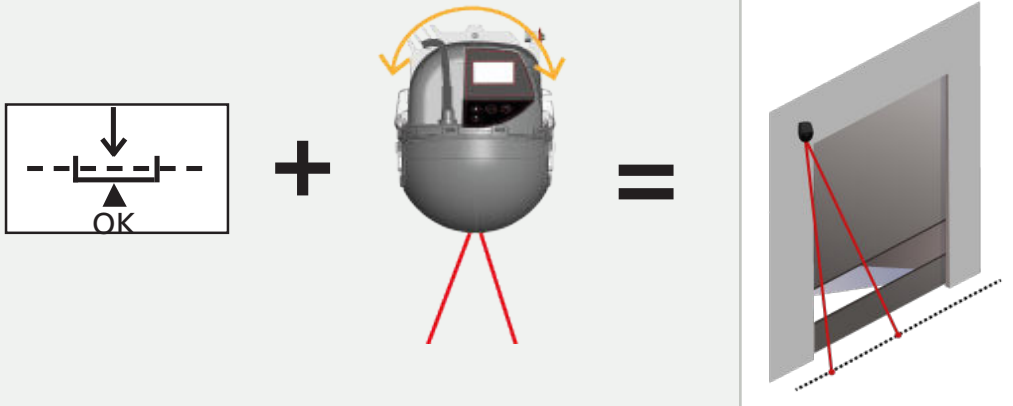
- a. Press and hold the OK button. The LCD will display the following image.



- b. While observing the LCD screen, rotate the sensor to align the center of the red spots with the center of the door, then press the OK button.



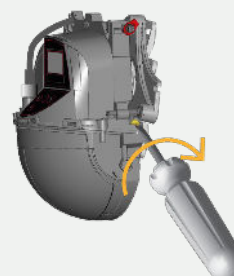
- c. While observing the LCD screen, rotate the sensor until the arrow and triangle are aligned.
NOTE: Visible spots may no longer be centered during this step.










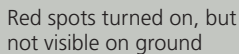
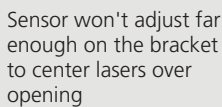
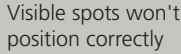
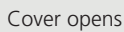
- d. Check that you are not interfering with the pattern and that the red spots are on the floor with no interference. Press the OK button to set the angle.
If using the app, verify angle setting.



- e. Lock the sensor position by tightening the angle lock screw.



TROUBLESHOOTING

E1		E1: CPU-XXX	The sensor encounters an internal problem	Replace sensor.
		E2: XXX PWR	The internal power supply is faulty	Verify that you are using the correct power supply. Replace sensor, if necessary.
E2		E2: IN SUPPLY	The power supply is too low or too high	Verify power supply (Diagnostics > LCD).
		E2: TEMP	The internal temperature is too low or too high	Verify the sensor temperature (Diagnostics >LCD). Protect the sensor from direct exposure to heat or cold.
		E6: FQ OUT	Faulty sensor output 1	Replace sensor.
E6				
E8		E8: ...	Faulty detection engine	If internal temperature is lower than 68 °F, wait until the heating process is completed. If temperature is higher than -4 °F, replace the sensor.
		ORANGE LED is on	The sensor encounters a memory problem	Replace sensor.
		No power at startup	Incorrect wiring	Check connections at box and at the sensor.
			Faulty sensor or harness	Try connection with a different known, good sensor. If still no power at startup, try using a different known, good harness.
		Sensor does not react to remote control	Sensor is password-protected	Enter correct password. If you forgot the code, cut and restore power supply in order to access the sensor without entering a password during 1 minute.
			Bad remote / Bad batteries	Check batteries in remote. Replace remote, if necessary.
			Too far away from sensor	Stand directly underneath the LZR-WIDESCAN and point remote at bottom of LED window.
		Red spots turned on, but not visible on ground	Sensor is obstructed	Use BEA brackets to extend the sensor past the obstructions.
			Environmental conditions are too bright	Change the mounting location (left, right, center) to avoid the obstruction. Use a piece of white paper to locate spots.
		Sensor won't adjust far enough on the bracket to center lasers over opening	Bracket installation position	Try rotating the bracket clockwise to allow for more rotation.
			Center of opening is too far away	Re-position sensor on bracket.
		Visible spots won't position correctly	Sensor is obstructed	Ensure there is nothing obstructing the visible spots.
			Sensor is too far away from center of entrance	Make adjustments to the three adjustment screws. If still unable to position spots, the sensor location may need changed.
			Lateral angle too extreme	Make adjustments to the lateral angle. If still unable to position spots, the sensor location may need changed.
		Cover opens	Cover is not locked	Close cover and lock.
			Environmental issues	Check for ice. If present, use the heating function, if possible.

Can't find your answer? Visit [BEAsensors.com](https://www.BEAsensors.com) or scan QR code for Frequently Asked Questions!

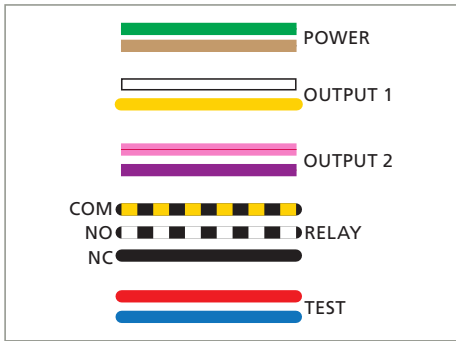


A Halma company

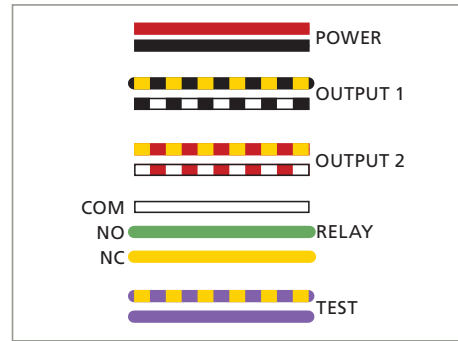
APPENDIX

FORMER HARNESSSES

Previous EU harness



Previous US harness



HOW TO USE THE LCD



Enter the LCD menu.
Select a folder, parameter, or value.
Confirm a value and exit edit mode.



Activate red spots on floor.



Launch POSITION WIZARD.



Select your **Language** before entering the first LCD menu.
Within the first 30 seconds of power-on of the sensor or later in the diagnostics menu.



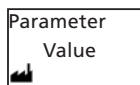
Enter a **Password** if necessary.



Access advanced adjustments.



Go to the **Diagnostics** menu.



Displayed value = Factory value



Displayed value = Saved value

HOW TO USE THE REMOTE CONTROL



After unlocking, the red LED flashes and the sensor can be adjusted by remote control.



If the red LED flashes quickly after unlocking, enter an access code from 1 to 4 digits. If you do not know the access code, **cycle power**.



To end an adjustment session, always lock the sensor.

To save an access code via the remote control:



To delete an access code via the remote control:



Enter the existing code
If the access code is unknown, cycle power to delete the existing access code.