

PRODUCT FEATURES

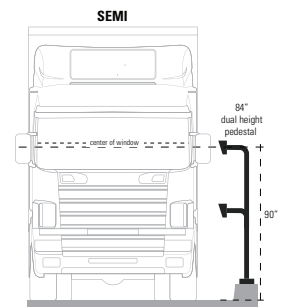
- Single height for cars and trucks
- Universal design
- Heavy duty materials
- Steel construction
- Black wrinkle powder coating w/ UV protection
- NDAA, Buy American, or USMCA/CUSMA compliant
- In-stock, ready-to-ship
- Available direct or through distribution

CUSTOM OPTIONS

- Customize face plate or base plate
- Readily available powder coating colors (white, yellow, bronze, gray, silver)
- Choose any RAL powder color

DESCRIPTION

A low cost, single-height, truck pedestal for mounting access control devices at gates. Standing 72" tall, this pedestal will accommodate gate access for tall vehicles including buses, semi-trucks, and other large commercial traffic.

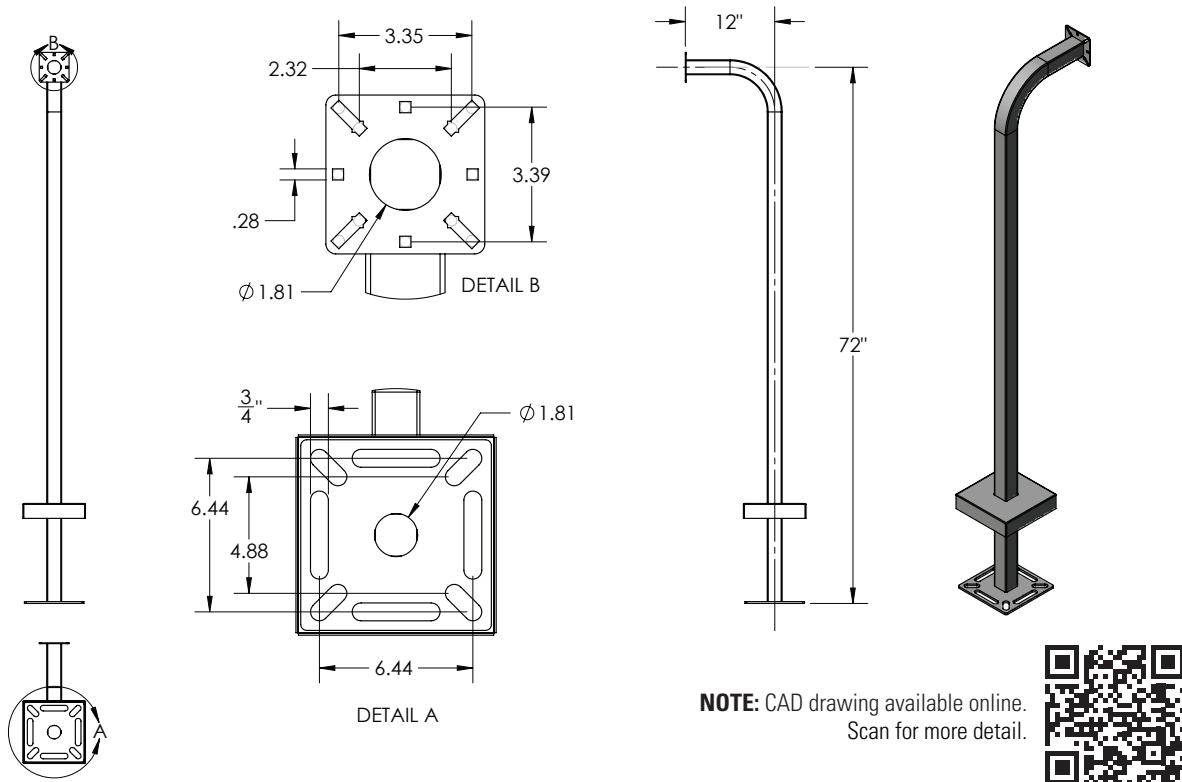


Download Vehicle Height Chart for more details

RECOMMENDED ACCESSORIES

<p>BOLT KIT</p> <p>Stud-Anchor-625</p>	<p>BOLT KIT</p> <p>L-Bolt-625</p>	<p>HOOD</p> <p>Hood-CS-14x14</p>	<p>HOUSING</p> <p>MC-PC-14-E-BLK</p>	<p>BUFFER PLATE</p> <p>CS-ABP-1212</p>	<p>SHIM KIT</p> <p>Shim-Kit-001</p>	<p>NECK EXTENSION</p> <p>12-EXT-2</p>	<p>DIRECTIONAL HEAD</p> <p>OMNI-4W5T-BLK</p>
---	--	---	---	---	--	--	---

NOTE: Real time inventory levels are viewable for registered users on pedestalpro.com



NOTE: CAD drawing available online.
Scan for more detail.



DATA & SPECS

Product Style	Gooseneck
Material	Steel
Tube	2" x 2" x .120" wall, steel
Face Plate	.125" (11 gauge)
Base Plate	.25" plate
Cover Plate	.074" (14 gauge)
Mounting Method	Pad mount
Pretreatment	High pressure/high temperature phosphate wash and rinse
Finish	Black wrinkle powder coating (TGIC outdoor polyester)
UV Protection	Yes
Hardware	1/4-20 carriage bolts and nuts (qty 4 each, zinc plated)
Packaging	Foam wrapped and boxed individually
Package Size	76 x 15 x 10
Weight	35 lbs
Shipping Method	UPS, FedEx, or LTL freight
Compliance	NDA, Buy American, or USMCA/CUSMA (see website for details)
Warranty	1 year limited (see website for details)
Inventory Status	In-Stock (inventory levels viewable for registered users on pedestalpro.com)

SIMILAR PRODUCTS

