

PRODUCT FEATURES

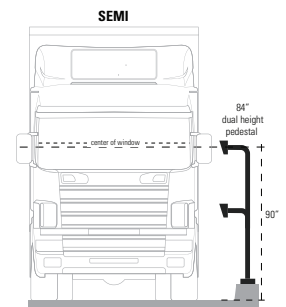
- In-ground/wet cement for cars and trucks
- Universal design
- Heavy duty materials
- Steel construction
- Black wrinkle powder coating w/ UV protection
- NDAA, Buy American, or USMCA/CUSMA compliant
- In-stock, ready-to-ship
- Available direct or through distribution
- ADA compliant

CUSTOM OPTIONS

- Customize face plate
- Readily available powder coating colors (white, yellow, bronze, gray, silver)
- Choose any RAL powder color

DESCRIPTION

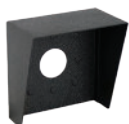
A low cost, in-ground, car-height pedestal for mounting access control devices at gates. Place in the ground or wet cement. Bury the post in the ground 24"-30" to achieve variable device heights between 42"-48".



Download Vehicle Height Chart for more details

RECOMMENDED ACCESSORIES

HOOD



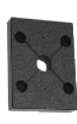
Hood-CS-06x6

HOUSING



Lando-CS-12x8-E

BUFFER PLATE



46PLA-PRO-001-HDP

NECK EXTENSION

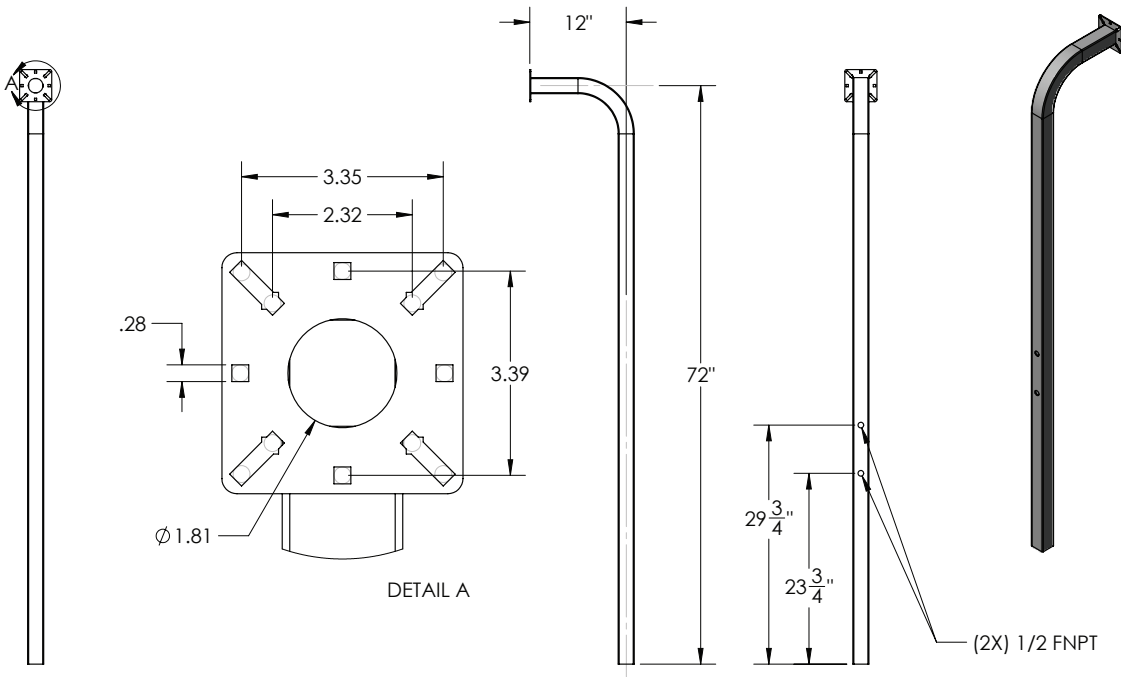


12-EXT-2

DIRECTIONAL HEAD



OMNI-4W5T-BLK



NOTE: CAD drawing available online.
Scan for more detail.



DATA & SPECS

Product Style	Gooseneck
Material	Steel
Tube	2" x 2" x .120" wall, steel
Face Plate	.125" (11 gauge)
Base Plate	n/a
Cover Plate	n/a
Mounting Method	In-ground, wet cement
Pretreatment	High pressure/high temperature phosphate wash and rinse
Finish	Black wrinkle powder coating (TGIC outdoor polyester)
UV Protection	Yes
Hardware	1/4-20 carriage bolts and nuts (qty 4 each, zinc plated)
Packaging	Foam wrapped and boxed individually
Package Size	74 x 13 x 5
Weight	25 lbs
Shipping Method	UPS, FedEx, or LTL freight
Compliance	NDAA, Buy American, or USMCA/CUSMA (see website for details)
Warranty	1 year limited (see website for details)
Inventory Status	In-Stock (inventory levels viewable for registered users on pedestalpro.com)

SIMILAR PRODUCTS

