

## PRODUCT FEATURES

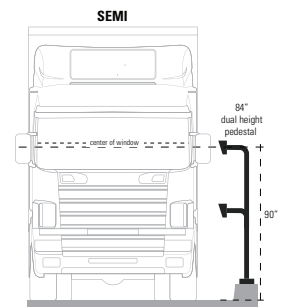
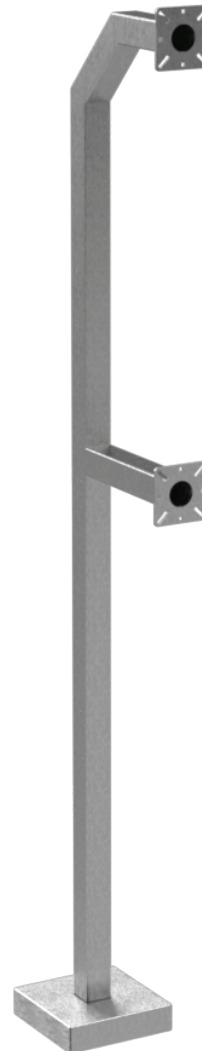
- Beautiful aesthetics
- Rust resistant
- Dual height for cars and trucks
- Universal design
- Heavy duty materials
- Stainless steel construction
- Brushed #4 (180 grit)
- NDAA, Buy American, or USMCA/CUSMA compliant
- Build To Order (BTO)
- Available direct or through distribution
- ADA compliant

## CUSTOM OPTIONS

- Shorten or extend neck reach
- Shorten or extend height
- Customize face plate or base plate
- Change material to #316 stainless

## DESCRIPTION

Beautiful. Proven longevity. A dual-height, car-truck pedestal for mounting access control devices at gates. Standing 72" tall, this pedestal will accommodate gate access for vehicles of all sizes including cars, SUV's, buses, semi-trucks, and other large commercial traffic.

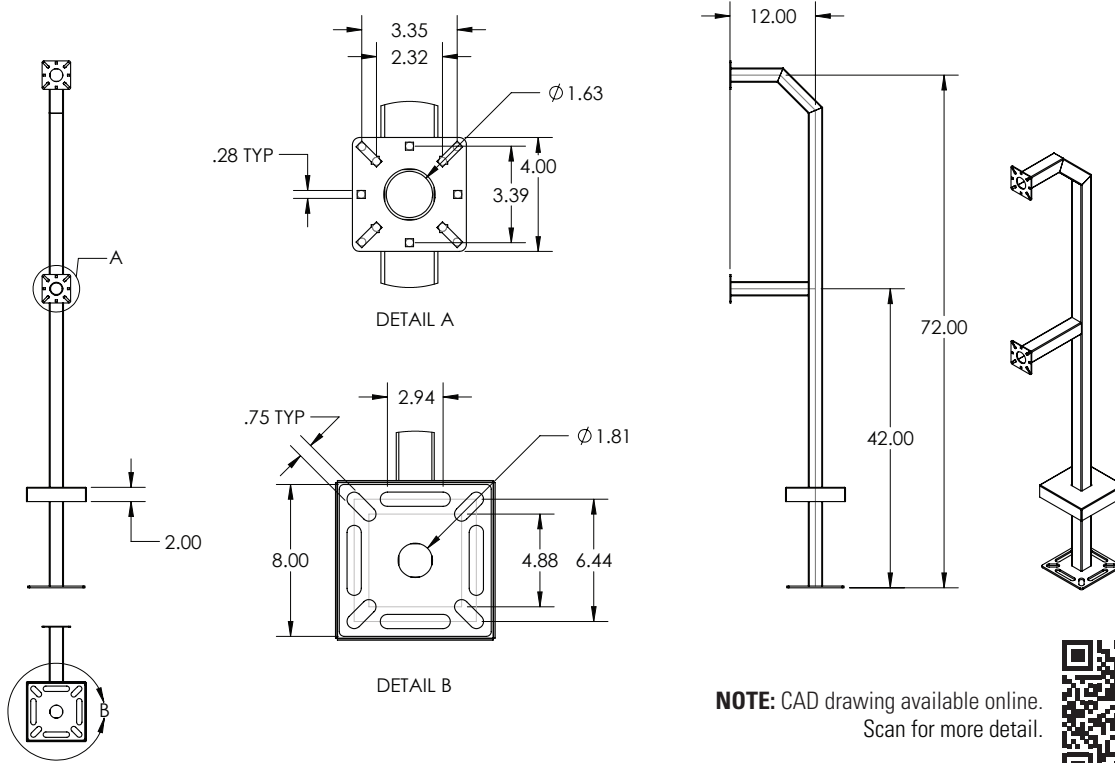


Download Vehicle Height Chart for more details

## RECOMMENDED ACCESSORIES

<p><b>BOLT KIT</b></p> <p>Stud-Anchor-625</p>	<p><b>BOLT KIT</b></p> <p>L-Bolt-625</p>	<p><b>HOUSING</b></p> <p>Lando-SS-20x14-E</p>	<p><b>BUFFER PLATE</b></p> <p>CS-ABP-1212</p>	<p><b>SHIM KIT</b></p> <p>Shim-Kit-001</p>	<p><b>NECK EXTENSION</b></p> <p>12-EXT-2</p>	<p><b>DIRECTIONAL HEAD</b></p> <p>OMNI-4W5T-BLK</p>
-----------------------------------------------	------------------------------------------	-----------------------------------------------	-----------------------------------------------	--------------------------------------------	----------------------------------------------	-----------------------------------------------------

Model No. **72-9C-DSP-SS**



**NOTE:** CAD drawing available online.  
Scan for more detail.



**DATA & SPECS**

Product Style	Gooseneck
Material	#304 Stainless steel
Tube	2" x 2" x .120" wall, stainless steel #304
Face Plate	.1217" (11 gauge) stainless steel #304
Base Plate	.25" plate, stainless steel #304
Cover Plate	.0749" (14 gauge) stainless steel #304
Mounting Method	Pad mount
Pretreatment	n/a
Finish	Brushed #4 (180 grit)
UV Protection	n/a
Hardware	1/4-20 carriage bolts and nuts (qty 4 each, zinc plated)
Packaging	Foam wrapped and boxed individually
Package Size	76 x 15 x 10
Weight	40 lbs
Shipping Method	UPS, FedEx, or LTL freight
Compliance	NDA, Buy American, or USMCA/CUSMA (see website for details)
Warranty	1 year limited (see website for details)
Inventory Status	Build To Order (Fast Track production is available)

**SIMILAR PRODUCTS**

