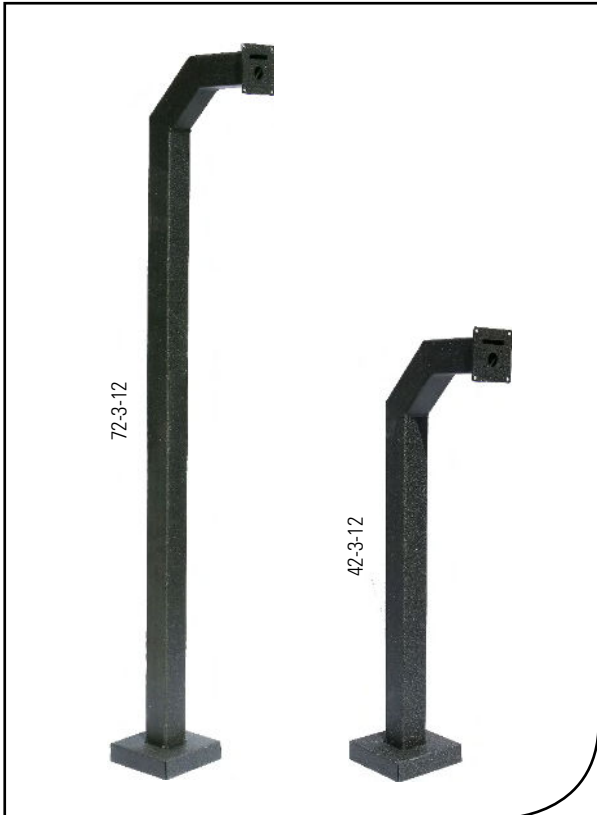


## 42"-72" PAD MOUNT PEDESTALS



### PRO Features:

- 1) Universal face plate, 4.75" x 4.75" x .120" (11 gauge)
- 2) Universal base plate, 8" x 8" x .25" (1/4" plate)
- 3) Cover plate, 8.25" x 8.25" x 2.25" (16 gauge)
- 4) Heavy duty square tube 3" x 3" x .120" wall (11 gauge)
- 5) 12" Reach (On Vertical Center) - Two 45° Cuts & Welded
- 6) Phosphate pretreatment (rust inhibitor)
- 7) TGIC outdoor polyester powder coat with UV protectant
- 8) Includes carriage bolts (4) and nuts (4)
- 9) Boxed individually
- 10) Customizable dimensions and colors available upon request

### Models

| Model #                  | Height | Reach | Color Code  | Weight  | Box Size |
|--------------------------|--------|-------|---|---------|----------|
| 42-3-12 (add color code) | 42"    | 12"   | -BLK = Black Wrinkle<br>-WHI = White<br>-YEL = Yellow | 26 lbs. | 45x15x10 |
| 72-3-12 (add color code) | 72"    | 12"   | -BLK = Black Wrinkle<br>-WHI = White<br>-YEL = Yellow | 48 lbs. | 76x12x7  |

### Description:

A sturdy, cost effective, pad mount, low profile, intercom pedestal for cars and pedestrians. Also mounts card readers, keypads, entry/exit buttons, biometric readers, telephone entry systems, housings, and other access control devices in tight spaces where a minimum reach (neck) is desired.

Most often installed for automatic gate entry and exit, parking lot, and perimeter access applications.

Whereas a competing pedestal may be made from .074" wall tube, this pedestal is made from .120" wall tube (62% more steel) and is designed to withstand abuse from vandals or Mother Nature. This pedestal has passed

our facewind testing protocol which determined it can survive sustained Category 5 hurricane force winds of 157 mph.

The neck is cut and welded at 90 degrees allowing the wiring to pass easily from the ground, through the pedestal, and into the access control device--making installation very convenient.

Pedestal PRO is the world's leading manufacturer of access control pedestals and supports a global network of systems integrators and security professionals.

### Related Items

Housing

Model # MC-CS-8-E

Housing

Model # Lando-CS-12x8-E

Stud Anchor Kit

Stud Anchor Kit

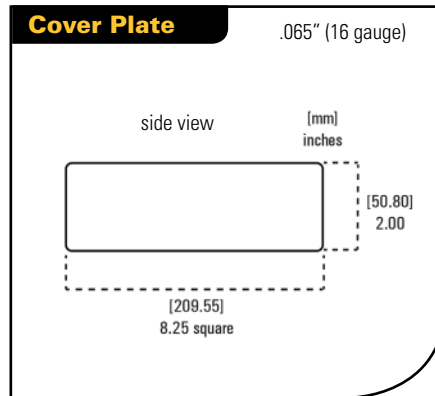
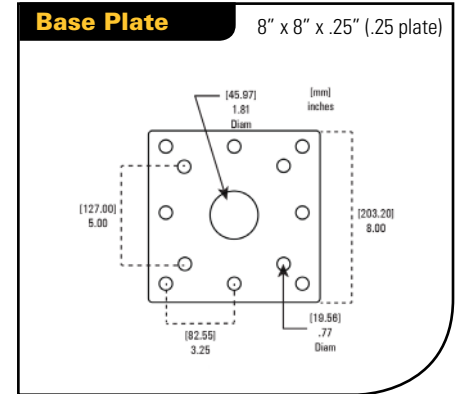
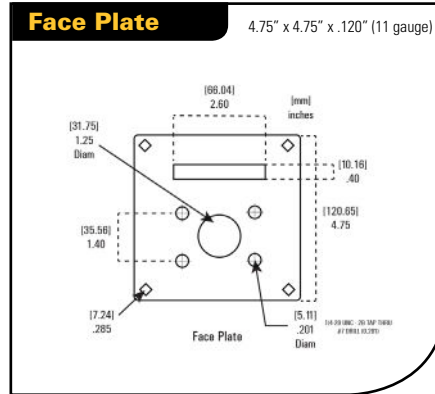
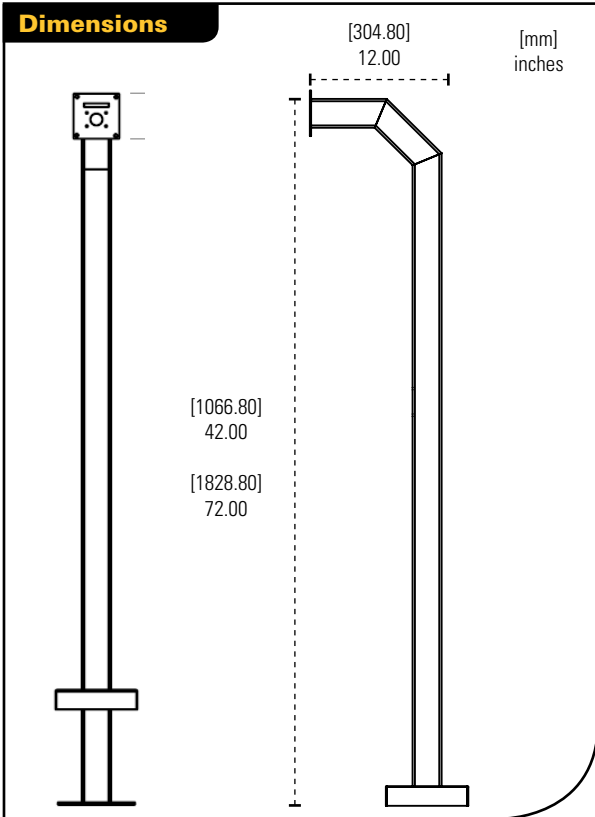
L-Bolt Kit

L-Bolt Kit

**Also Available:**  
Stainless Steel, Aluminum,  
and Polycarbonate Solutions

1-800-660-3072  
info@PedestalPRO.com  
947 W 500 N, Ste 101  
Lindon UT 84042  
www.PedestalPRO.com

# 42"-72" PAD MOUNT PEDESTALS



### Customize

**Stock Color**  
 Black

**Readily Available Colors\***  
 White  
 Safety Yellow

Custom "RAL" colors\*

Adjust height, reach, face plate, and base plate specifications to meet your needs\*  
 \*additional costs and lead times may apply

## Stress Test

Wind Speed: 200 mph (321 km/h)  
 Wind Force: 1.3333 psi  
 Face Area: 263.5959 in<sup>2</sup> (each square inch receives 1.3333 psi for a total of 351.34 psi)  
 Max Deflection or Displacement: The top corner displaces 0.8 (etc) mm  
 Max Stress: 6965.5 psi  
 Yield Strength: 89,984.6 psi (strength at which the material bends permanently)  
 Interpretation: The highest recorded sustained wind is 217 mph. At 200 mph, the top of the pedestal would move .8 mm without bending permanently. In the real world, the concrete or the mounting bolts and nuts would be fail first, not to mention the electronics would blow off even sooner.

