

PRODUCT FEATURES

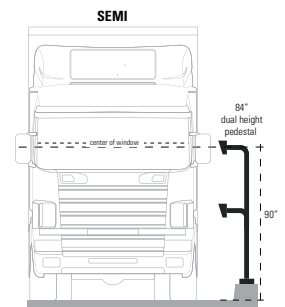
- Single height for cars and trucks
- Universal design
- Heavy duty materials
- Steel construction
- Black wrinkle powder coating w/ UV protection
- NDAA, Buy American, or USMCA/CUSMA compliant
- In-stock, ready-to-ship
- Available direct or through distribution

CUSTOM OPTIONS

- Shorten or extend neck reach
- Shorten or extend height
- Customize face plate or base plate
- Readily available powder coating colors (white, yellow, bronze, gray, silver)
- Choose any RAL powder color

DESCRIPTION

A strong, single-height, truck pedestal for mounting access control devices at gates. Standing 72" tall, this pedestal will accommodate gate access for tall vehicles including buses, semi-trucks, and other large commercial traffic.

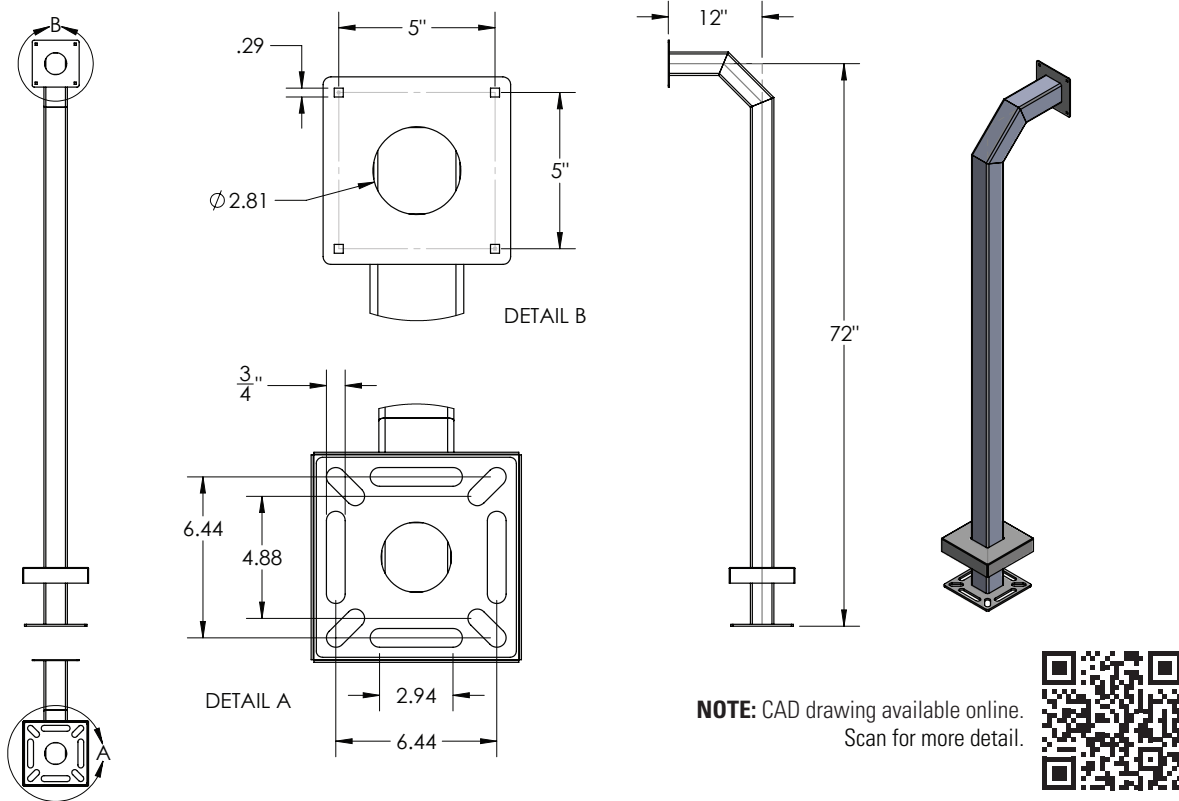


Download Vehicle Height Chart for more details

RECOMMENDED ACCESSORIES

BOLT KIT	BOLT KIT	HOOD	HOUSING	BUFFER PLATE	SHIM KIT	NECK EXTENSION
Stud-Anchor-625	L-Bolt-625	Hood-CS-14x14	Lando-PC-20x16-E-BLK	CS-ABP-1212	Shim-Kit-001	12-EXT-3

NOTE: Real time inventory levels are viewable for registered users on pedestalpro.com



NOTE: CAD drawing available online.
Scan for more detail.



DATA & SPECS

Product Style	Gooseneck
Material	Steel
Tube	3" x 3" x .120" wall, steel
Face Plate	.125" (11 gauge)
Base Plate	.25" plate
Cover Plate	.074" (14 gauge)
Mounting Method	Pad mount
Pretreatment	High pressure/high temperature phosphate wash and rinse
Finish	Black wrinkle powder coating (TGIC outdoor polyester)
UV Protection	Yes
Hardware	1/4-20 carriage bolts and nuts (qty 4 each, zinc plated)
Packaging	Foam wrapped and boxed individually
Package Size	76 x 15 x 10
Weight	48 lbs
Shipping Method	UPS, FedEx, or LTL freight
Compliance	NDA, Buy American, or USMCA/CUSMA (see website for details)
Warranty	1 year limited (see website for details)
Inventory Status	In-Stock (inventory levels viewable for registered users on pedestalpro.com)

SIMILAR PRODUCTS

