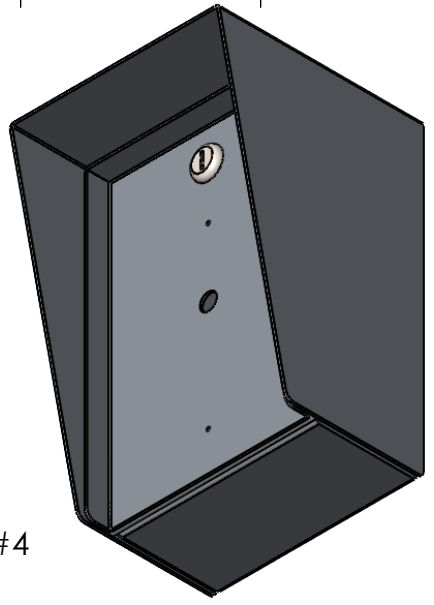
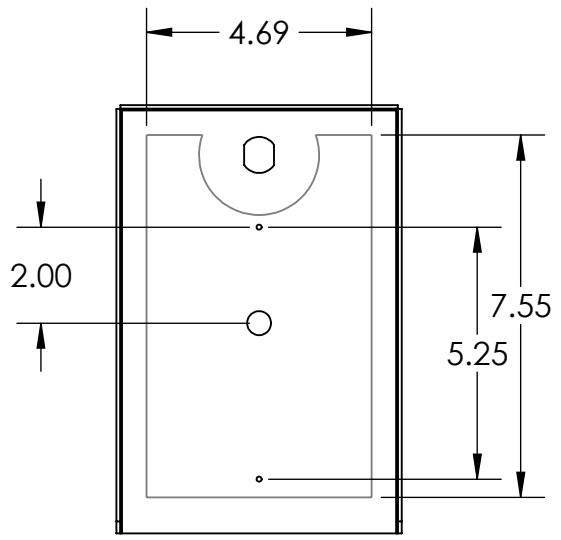


(2X) DRILL # 36
TAP 6-32

SECTION A-A

(8X) Ø .30 KNOCKOUT

Ø 1.81



- NOTES:
1. MATERIAL OF CONSTRUCTION IS 304 SS BRUSHED #4
 2. HID 5365 CUTOUT.



PEDESTALPRO.COM
1-800-660-3072

UNLESS OTHERWISE SPECIFIED:
DIMENSIONS ARE IN INCHES
TOLERANCES:
FRACTIONAL ± 1/32
ANGULAR: ± 2°
TWO PLACE DECIMAL ± 0.010
THREE PLACE DECIMAL ± 0.005

INTERPRET GEOMETRIC
TOLERANCING PER:
ASME Y14.5 -2009

| NAME | DATE |
|--|------|
| DRAWN | |
| CHECKED | |
| PROPRIETARY AND CONFIDENTIAL | |
| THE INFORMATION CONTAINED IN THIS DRAWING IS THE SOLE PROPERTY OF PEDESTALPRO LLC. ANY REPRODUCTION IN PART OR AS A WHOLE WITHOUT THE WRITTEN PERMISSION OF PEDESTALPRO LLC IS PROHIBITED. | |

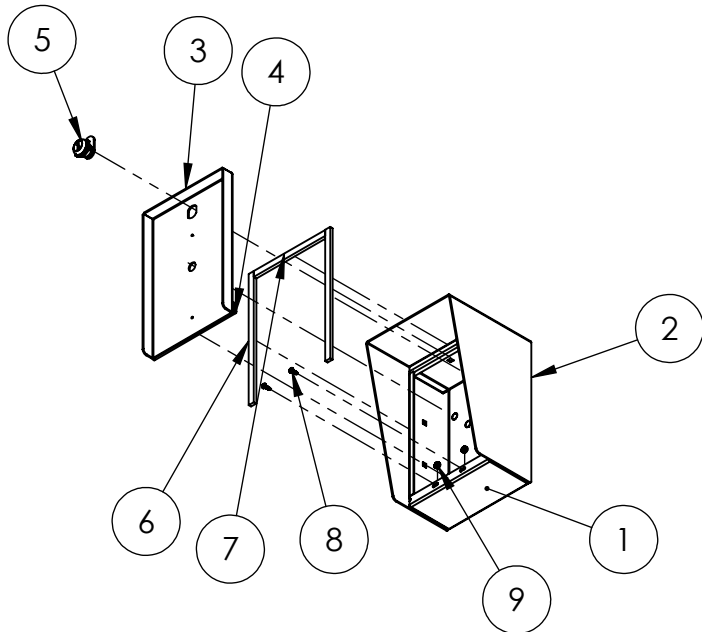
TITLE:
INSTALLATION

Thursday, October 29,
2020 11:51:19 AM

WEIGHT: 7.460

| | | |
|------------------|------------------------------|-----------------|
| SIZE A | PART NO. 69HOU-HID-01-304 | REV A |
| NO SCALE | | SHEET 1 OF 6 |

| ITEM NO. | PART NUMBER | DESCRIPTION | QTY. |
|----------|----------------------------|------------------------------|------|
| 1 | 69HOU-HID-01-304 ENCLOSURE | ENCLOSURE WELDMENT | 1 |
| 2 | 69HOU-HID-01-304 HOOD | HOOD | 1 |
| 3 | 69HOU-HID-01-304 DOOR | DOOR WELDMENT | 1 |
| 4 | HINGE | PIANO HINGE | 1 |
| 5 | CAM LOCK | STRAIGHT CAM | 1 |
| 6 | GASKET SIDE | 3/8" X .150 WEATHERSTRIPPING | 2 |
| 7 | GASKET TOP | 3/8" X .150 WEATHERSTRIPPING | 1 |
| 8 | -- | 6-32 PAN HEAD SCREW | 2 |
| 9 | -- | 6-32 EXTERNAL TOOTH LOCK NUT | 2 |



NOTES:

1. SEE STANDARD PREPARATION AND COATING INSTRUCTIONS FOR COATING PROCEDURE AND COLOR.
2. SEE STANDARD PACKAGING INSTRUCTIONS FOR PACKAGING PROCEDURE.



PEDESTALPRO.COM
1-800-660-3072

UNLESS OTHERWISE SPECIFIED:

DIMENSIONS ARE IN INCHES
TOLERANCES:
FRACTIONAL $\pm 1/32$
ANGULAR: $\pm 2^\circ$
TWO PLACE DECIMAL ± 0.010
THREE PLACE DECIMAL ± 0.005

INTERPRET GEOMETRIC
TOLERANCING PER:
ASME Y14.5 -2009

| NAME | DATE |
|---------|------|
| DRAWN | |
| CHECKED | |

PROPRIETARY AND CONFIDENTIAL
THE INFORMATION CONTAINED IN THIS DRAWING IS THE SOLE PROPERTY OF PEDESTALPRO LLC. ANY REPRODUCTION IN PART OR AS A WHOLE WITHOUT THE WRITTEN PERMISSION OF PEDESTALPRO LLC IS PROHIBITED.

TITLE:
ASSEMBLY

Thursday, October 29,
2020 11:51:19 AM

WEIGHT: 7.460

| SIZE | PART NO. | REV |
|----------|------------------|----------|
| A | 69HOU-HID-01-304 | A |

NO SCALE

SHEET 2 OF 6