

CUTOUT FITS  
AIPHONE JO-DV

NOTES:

1. MATERIAL OF CONSTRUCTION IS MILD STEEL.
2. 2-4 MILS BLACK WRINKLE POWDER COAT. (8017-91612)

PEDESTALPRO.COM  
1-800-660-3072

UNLESS OTHERWISE SPECIFIED:

DIMENSIONS ARE IN INCHES  
TOLERANCES:  
FRACTIONAL ± 1/32  
ANGULAR: ± 2°  
TWO PLACE DECIMAL ± 0.010  
THREE PLACE DECIMAL ± 0.005

INTERPRET GEOMETRIC  
TOLERANCING PER:  
ASME Y14.5 -2009

NAME DATE

DRAWN

CHECKED

**PROPRIETARY AND CONFIDENTIAL**

THE INFORMATION CONTAINED IN THIS  
DRAWING IS THE SOLE PROPERTY OF  
PEDESTALPRO LLC. ANY REPRODUCTION  
IN PART OR AS A WHOLE WITHOUT THE  
WRITTEN PERMISSION OF PEDESTALPRO LLC  
IS PROHIBITED.

TITLE:

**INSTALLATION**

Thursday, September  
13, 2018 1:05:51 PM

WEIGHT: 3.209

SIZE  
**A**

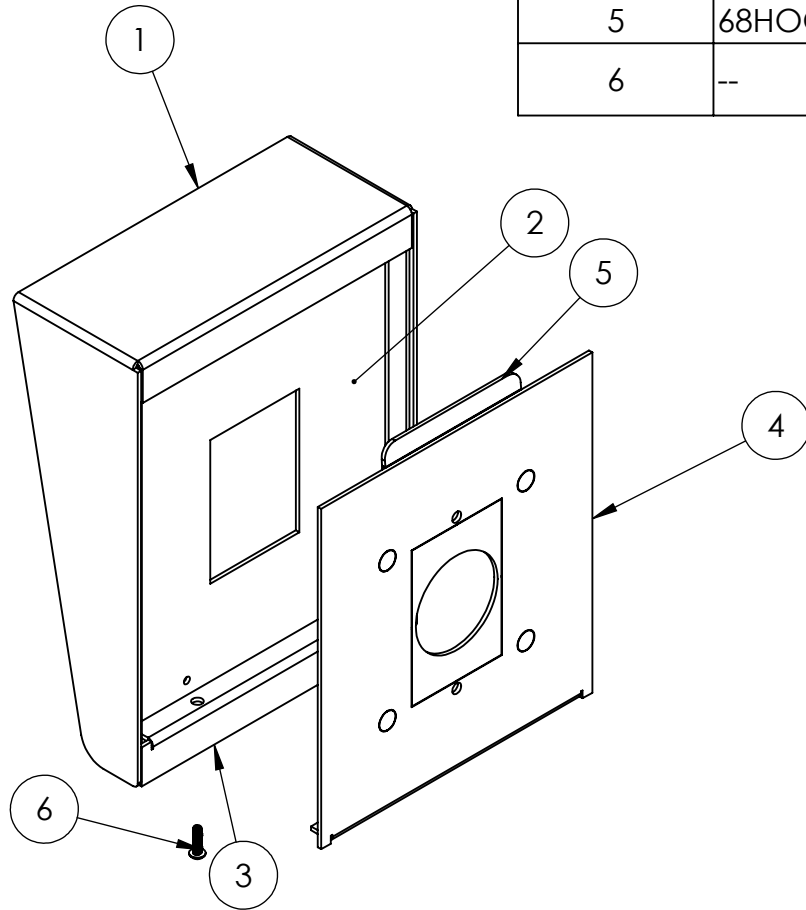
PART NO.  
68H00-AIP-01-CRS

REV  
**0**

NO SCALE

SHEET 1 OF 8

| ITEM NO. | PART NUMBER                     | DESCRIPTION                         | QTY. |
|----------|---------------------------------|-------------------------------------|------|
| 1        | J-HOOD-CS-6X6 HOOD              | HOOD ASSEMBLY                       | 1    |
| 2        | 68HOO-AIP-01-CRS MID PLATE      | DEVICE MOUNTING PLATE               | 1    |
| 3        | 68HOO-AIP-01-CRS BOTTOM CLOSURE | HOOD ASSEMBLY                       | 1    |
| 4        | 68HOO-AIP-01-CRS BACK PLATE     | MOUNTING PLATE                      | 1    |
| 5        | 68HOO-AIP-01-CRS HOOK           | MOUNTING HOOK                       | 1    |
| 6        | --                              | 6-32 X 1/2" PAN HEAD SECURITY SCREW | 2    |



UNLESS OTHERWISE SPECIFIED:

DIMENSIONS ARE IN INCHES  
TOLERANCES:  
FRACTIONAL  $\pm 1/32$   
ANGULAR:  $\pm 2^\circ$   
TWO PLACE DECIMAL  $\pm 0.010$   
THREE PLACE DECIMAL  $\pm 0.005$

INTERPRET GEOMETRIC  
TOLERANCING PER:  
ASME Y14.5 -2009

NAME DATE

DRAWN

CHECKED

**PROPRIETARY AND CONFIDENTIAL**

THE INFORMATION CONTAINED IN THIS  
DRAWING IS THE SOLE PROPERTY OF  
PEDESTALPRO LLC. ANY REPRODUCTION  
IN PART OR AS A WHOLE WITHOUT THE  
WRITTEN PERMISSION OF PEDESTALPRO LLC  
IS PROHIBITED.

TITLE:

**ASSEMBLY**

Thursday, September  
13, 2018 1:05:51 PM

WEIGHT: 3.209

SIZE  
**A**

PART NO.  
68HOO-AIP-01-CRS

REV  
**0**

NO SCALE

SHEET 2 OF 8

PEDESTALPRO.COM  
1-800-660-3072