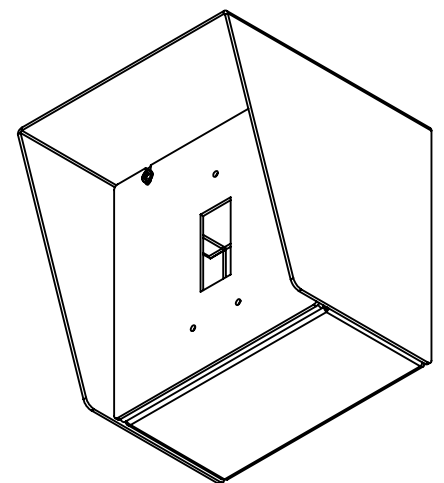
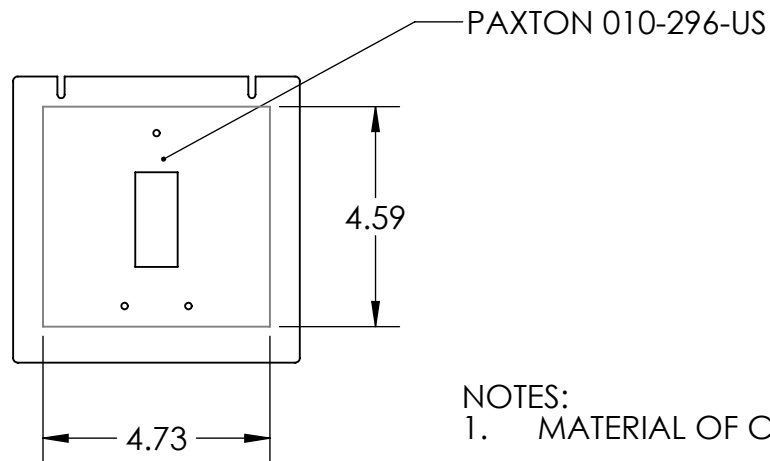
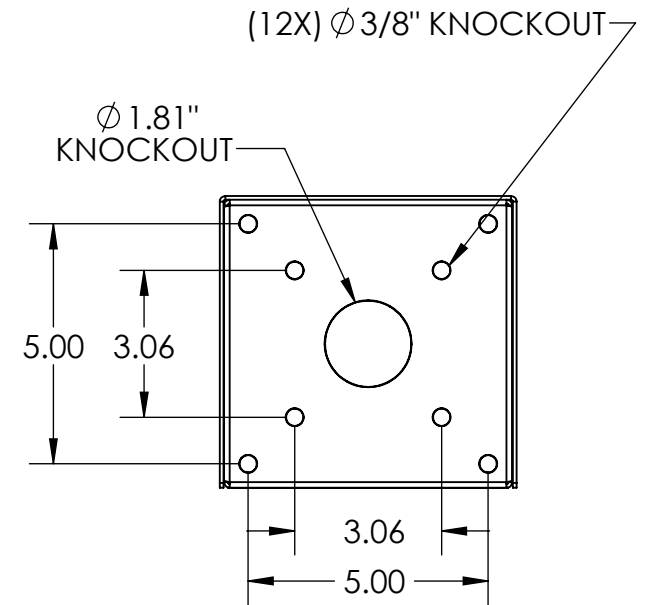


SECTION A-A



- NOTES:
 1. MATERIAL OF CONSTRUCTION IS 304 SS, BRUSHED #4.



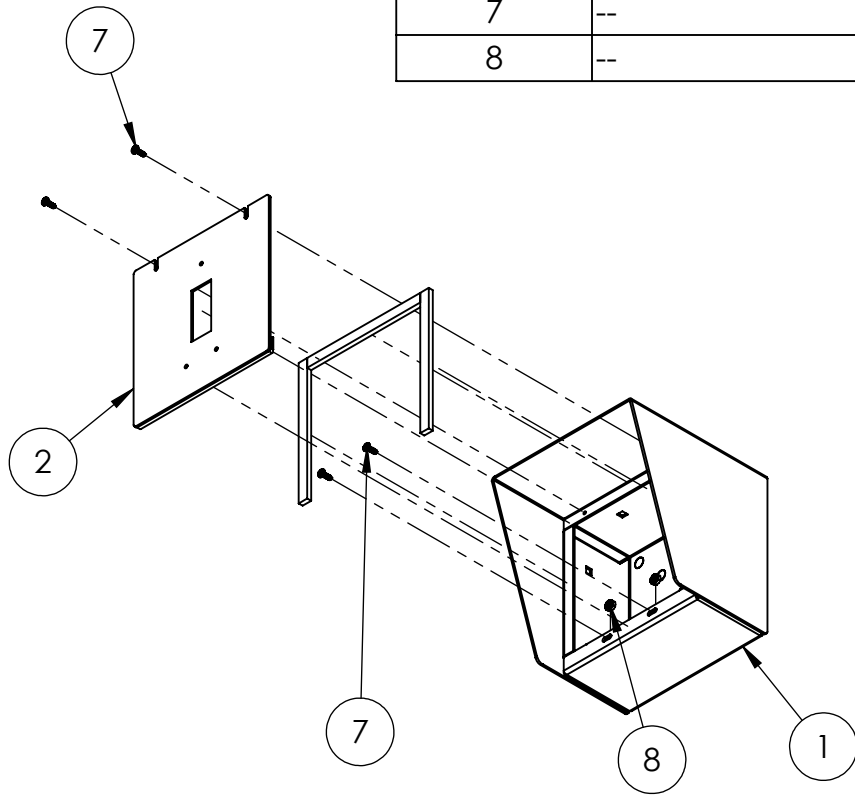
PEDESTALPRO.COM
 1-800-660-3072

UNLESS OTHERWISE SPECIFIED:
 DIMENSIONS ARE IN INCHES
 TOLERANCES:
 FRACTIONAL: $\pm 1/32$
 ANGULAR: $\pm 2^\circ$
 TWO PLACE DECIMAL: ± 0.010
 THREE PLACE DECIMAL: ± 0.005
 INTERPRET GEOMETRIC TOLERANCING PER: ASME Y14.5 -2009

NAME	DATE
DRAWN	
CHECKED	
PROPRIETARY AND CONFIDENTIAL	
THE INFORMATION CONTAINED IN THIS DRAWING IS THE SOLE PROPERTY OF PEDESTALPRO LLC. ANY REPRODUCTION IN PART OR AS A WHOLE WITHOUT THE WRITTEN PERMISSION OF PEDESTALPRO LLC IS PROHIBITED.	

TITLE: INSTALLATION		SIZE A	PART NO. 66HOU-PAXT-03-304	REV A
Friday, May 19, 2023 8:59:25 AM		NO SCALE		SHEET 1 OF 6
WEIGHT: 5.585				

ITEM NO.	PART NUMBER	DESCRIPTION	QTY.
1	66HOU-PAXT-03-304 ENCLOSURE	ENCLOSURE WELDMENT	1
2	66HOU-PAXT-03-304 DOOR	DOOR	1
3	66HOU-PAXT-03-304 HOOD	HOOD	1
4	HINGE	PIANO HINGE	1
5	GASKET SIDE	3/8" X .150 WEATHERSTRIPPING	2
6	GASKET TOP	3/8" X .150 WEATHERSTRIPPING	1
7	--	6-32 PAN HEAD SCREW	4
8	--	6-32 EXTERNAL TOOTH LOCK NUT	2



NOTES:

- SEE STANDARD PREPARATION AND COATING INSTRUCTIONS FOR COATING PROCEDURE AND COLOR.
- SEE STANDARD PACKAGING INSTRUCTIONS FOR PACKAGING PROCEDURE.



PEDESTALPRO.COM
1-800-660-3072

UNLESS OTHERWISE SPECIFIED:

DIMENSIONS ARE IN INCHES
TOLERANCES:
FRACTIONAL $\pm 1/32$
ANGULAR: $\pm 2^\circ$
TWO PLACE DECIMAL ± 0.010
THREE PLACE DECIMAL ± 0.005

INTERPRET GEOMETRIC
TOLERANCING PER:
ASME Y14.5 -2009

NAME DATE

DRAWN

CHECKED

PROPRIETARY AND CONFIDENTIAL

THE INFORMATION CONTAINED IN THIS
DRAWING IS THE SOLE PROPERTY OF
PEDESTALPRO LLC. ANY REPRODUCTION
IN PART OR AS A WHOLE WITHOUT THE
WRITTEN PERMISSION OF PEDESTALPRO LLC
IS PROHIBITED.

TITLE:

ASSEMBLY

Friday, May 19, 2023
8:59:25 AM

WEIGHT: 5.585

SIZE
A

PART NO.
66HOU-PAXT-03-304

REV
A

NO SCALE

SHEET 2 OF 6