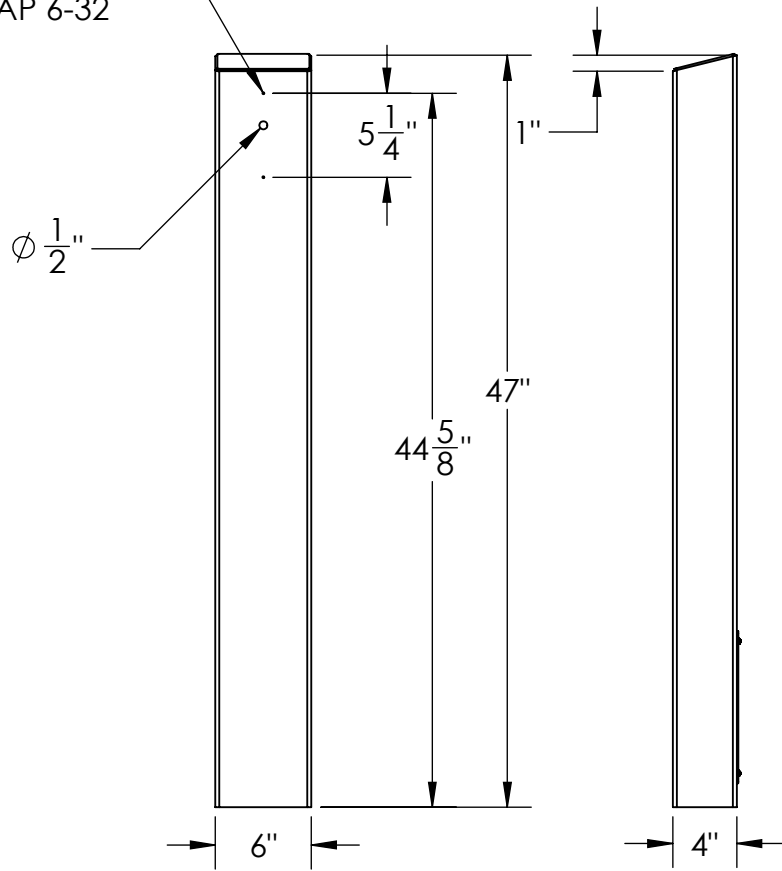
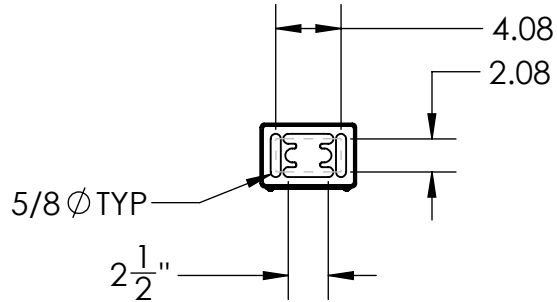
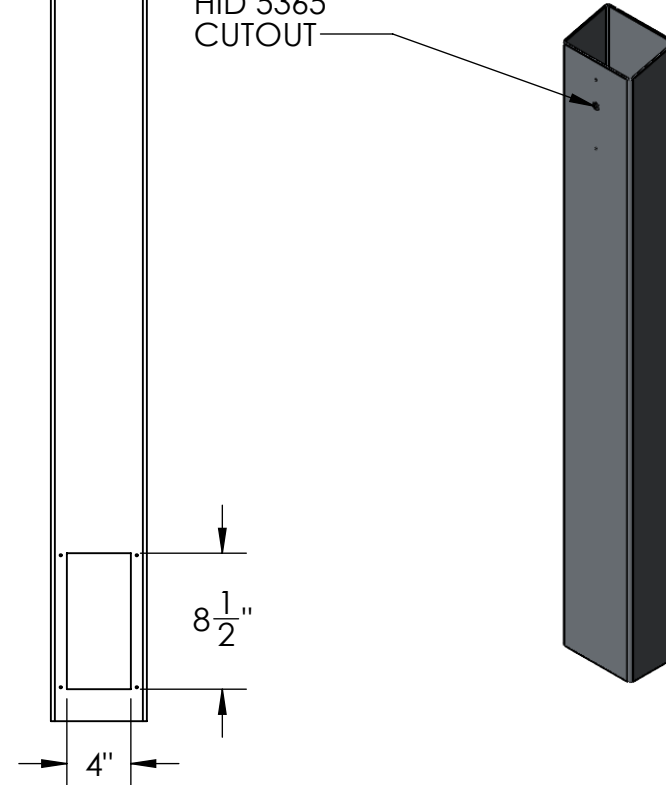


(2X)DRILL# 36  
TAP 6-32



HID 5365  
CUTOUT



NOTES:  
1. MATERIAL OF CONSTRUCTION IS 304 SS, BRUSHED #4.



PEDESTALPRO.COM  
1-800-660-3072

UNLESS OTHERWISE SPECIFIED:

DIMENSIONS ARE IN INCHES  
TOLERANCES:  
FRACTIONAL  $\pm 1/32$   
ANGULAR:  $\pm 2^\circ$   
TWO PLACE DECIMAL  $\pm 0.010$   
THREE PLACE DECIMAL  $\pm 0.005$

INTERPRET GEOMETRIC  
TOLERANCING PER:  
ASME Y14.5 -2009

| NAME    | DATE |
|---------|------|
| DRAWN   |      |
| CHECKED |      |

**PROPRIETARY AND CONFIDENTIAL**  
THE INFORMATION CONTAINED IN THIS  
DRAWING IS THE SOLE PROPERTY OF  
PEDESTALPRO LLC. ANY REPRODUCTION  
IN PART OR AS A WHOLE WITHOUT THE  
WRITTEN PERMISSION OF PEDESTALPRO LLC  
IS PROHIBITED.

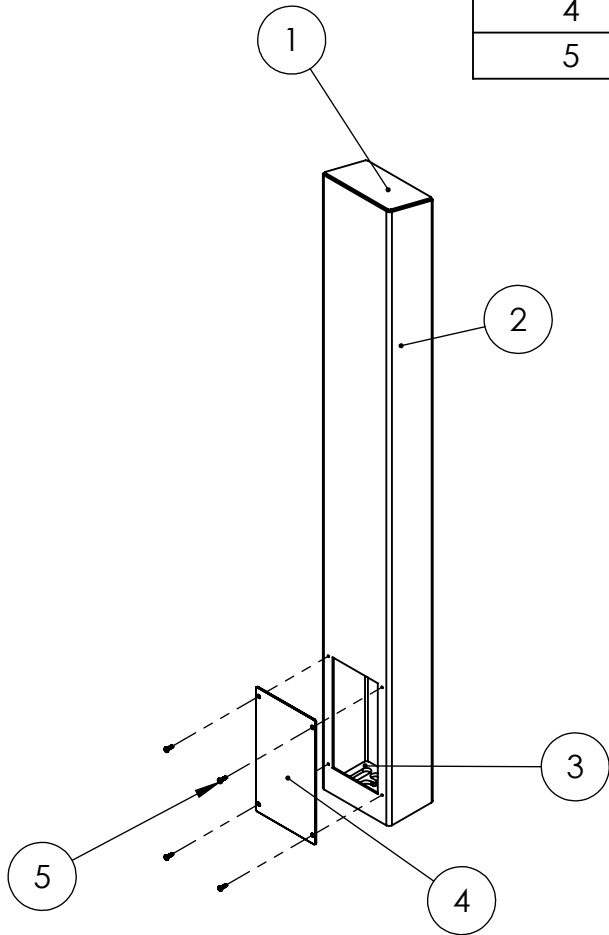
TITLE:  
**INSTALLATION**

Tuesday, October 23,  
2018 1:52:42 PM

WEIGHT:

| SIZE     | PART NO.         | REV          |
|----------|------------------|--------------|
| <b>A</b> | 64TOW-HID-01-304 | <b>B</b>     |
| NO SCALE |                  | SHEET 1 OF 7 |

| ITEM NO. | PART NUMBER           | DESCRIPTION               | QTY. |
|----------|-----------------------|---------------------------|------|
| 1        | PLTCAP-46-46-30       | CAP PLATE                 | 1    |
| 2        | 64TOW-HID-01-304 TUBE | VERTICAL TUBE             | 1    |
| 3        | PLTBAS-46-46          | BASE PLATE                | 1    |
| 4        | PLTACC-510            | ACCESS PANEL              | 1    |
| 5        | --                    | 8-32 SS BUTTON HEAD SCREW | 4    |



NOTES:

1. SEE STANDARD PREPARATION AND COATING INSTRUCTIONS FOR COATING PROCEDURE AND COLOR
2. SEE STANDARD PACKAGING INSTRUCTIONS FOR PACKAGING PROCEDURE



PEDESTALPRO.COM  
1-800-660-3072

UNLESS OTHERWISE SPECIFIED:

DIMENSIONS ARE IN INCHES  
TOLERANCES:  
FRACTIONAL  $\pm 1/32$   
ANGULAR:  $\pm 2^\circ$   
TWO PLACE DECIMAL  $\pm 0.010$   
THREE PLACE DECIMAL  $\pm 0.005$

INTERPRET GEOMETRIC  
TOLERANCING PER:  
ASME Y14.5 -2009

| NAME    | DATE |
|---------|------|
| DRAWN   |      |
| CHECKED |      |

**PROPRIETARY AND CONFIDENTIAL**  
THE INFORMATION CONTAINED IN THIS DRAWING IS THE SOLE PROPERTY OF PEDESTALPRO LLC. ANY REPRODUCTION IN PART OR AS A WHOLE WITHOUT THE WRITTEN PERMISSION OF PEDESTALPRO LLC IS PROHIBITED.

TITLE:  
**ASSEMBLY**

Tuesday, October 23,  
2018 1:52:42 PM

WEIGHT:

| SIZE     | PART NO.         | REV          |
|----------|------------------|--------------|
| <b>A</b> | 64TOW-HID-01-304 | <b>B</b>     |
| NO SCALE |                  | SHEET 2 OF 7 |