

NOTES:
 1. MOUNTS AN AIPHONE GT-DMB UNIT IN A 304 SS TOWER, BRUSHED #4 FINISH.



PEDESTALPRO.COM
 1-800-660-3072

UNLESS OTHERWISE SPECIFIED:

DIMENSIONS ARE IN INCHES
 TOLERANCES:
 FRACTIONAL $\pm 1/32$
 ANGULAR: $\pm 2^\circ$
 TWO PLACE DECIMAL ± 0.010
 THREE PLACE DECIMAL ± 0.005

INTERPRET GEOMETRIC
 TOLERANCING PER:
 ASME Y14.5 -2009

NAME	DATE

DRAWN	
CHECKED	

PROPRIETARY AND CONFIDENTIAL
 THE INFORMATION CONTAINED IN THIS DRAWING IS THE SOLE PROPERTY OF PEDESTALPRO LLC. ANY REPRODUCTION IN PART OR AS A WHOLE WITHOUT THE WRITTEN PERMISSION OF PEDESTALPRO LLC IS PROHIBITED.

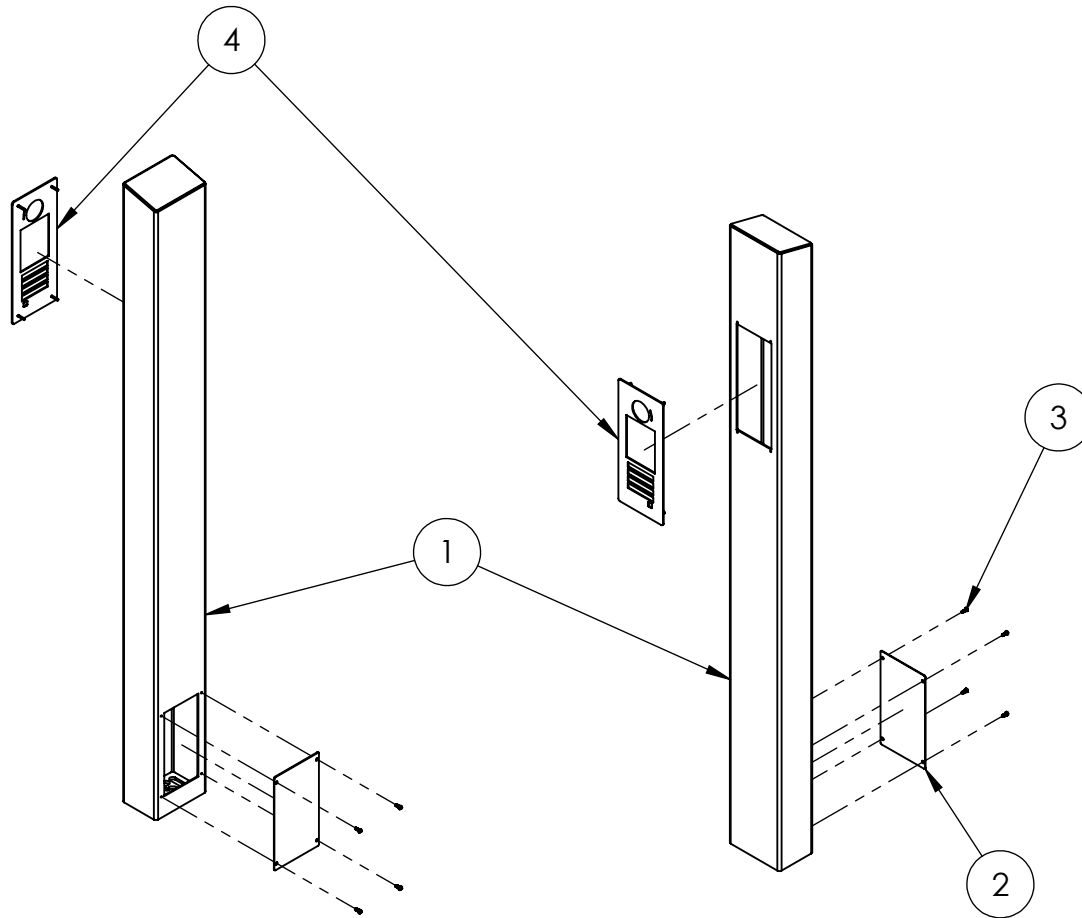
TITLE:
INSTALLATION

Friday, November 2,
 2018 12:59:22 PM

WEIGHT:

SIZE	PART NO.	REV
A	64TOW-AIP-001-304	B
NO SCALE		SHEET 1 OF 5

ITEM NO.	PART NUMBER	DESCRIPTION	QTY.
1	64TOW-AIP-001-304	304 SS BODY WELDMENT	1
2	PLTACC-610	304 SS COVER PLATES	1
3	--	8-32 SS SCREWS	4
4	FACE PLATE(AIPHONE)	BY AIPHONE	1



NOTES:
 1. FACE PLATE BY AIPHONE MOUNTS TO THE FRONT OF THE TOWER WITH THREADED STUDS.



PEDESTALPRO.COM
 1-800-660-3072

UNLESS OTHERWISE SPECIFIED:

DIMENSIONS ARE IN INCHES
 TOLERANCES:
 FRACTIONAL $\pm 1/32$
 ANGULAR: $\pm 2^\circ$
 TWO PLACE DECIMAL ± 0.010
 THREE PLACE DECIMAL ± 0.005

INTERPRET GEOMETRIC
 TOLERANCING PER:
 ASME Y14.5 -2009

NAME	DATE
DRAWN	
CHECKED	

PROPRIETARY AND CONFIDENTIAL
 THE INFORMATION CONTAINED IN THIS DRAWING IS THE SOLE PROPERTY OF PEDESTALPRO LLC. ANY REPRODUCTION IN PART OR AS A WHOLE WITHOUT THE WRITTEN PERMISSION OF PEDESTALPRO LLC IS PROHIBITED.

TITLE:
 64TOW-AIP-001-304

Friday, November 2,
 2018 12:59:22 PM

WEIGHT:

SIZE	PART NO.
A	ASSEMBLY

NO SCALE

REV
B

SHEET 2 OF 5