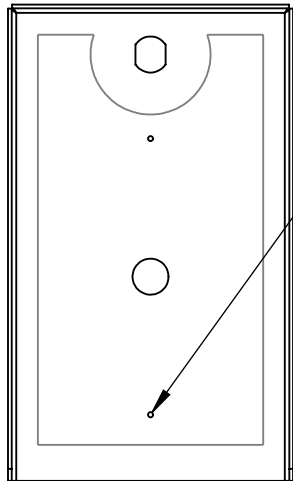
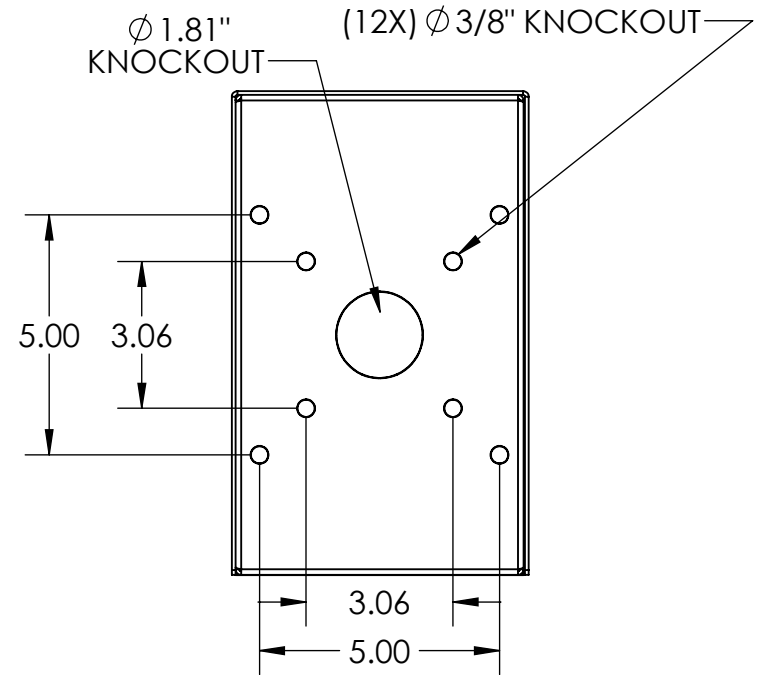
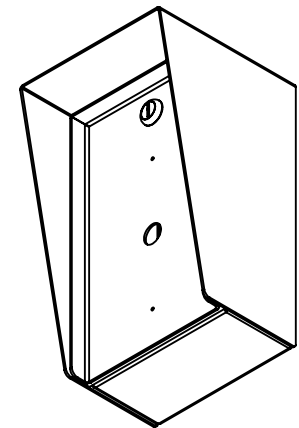


SECTION A-A



(2X) DRILL # 36
TAP 6-32

CUTOUT FITS VIKING:
PRX-4



- NOTES:
1. MATERIAL OF CONSTRUCTION IS 304 SS, BRUSHED #4.



PEDESTALPRO.COM
1-800-660-3072

UNLESS OTHERWISE SPECIFIED:

DIMENSIONS ARE IN INCHES
TOLERANCES:
FRACTIONAL $\pm 1/32$
ANGULAR: $\pm 2^\circ$
TWO PLACE DECIMAL ± 0.010
THREE PLACE DECIMAL ± 0.005

INTERPRET GEOMETRIC
TOLERANCING PER:
ASME Y14.5 -2009

| NAME | DATE |
|---------|------|
| DRAWN | |
| CHECKED | |

PROPRIETARY AND CONFIDENTIAL
THE INFORMATION CONTAINED IN THIS DRAWING IS THE SOLE PROPERTY OF PEDESTALPRO LLC. ANY REPRODUCTION IN PART OR AS A WHOLE WITHOUT THE WRITTEN PERMISSION OF PEDESTALPRO LLC IS PROHIBITED.

TITLE:
INSTALLATION

Tuesday, May 30, 2023
12:59:34 PM

WEIGHT: 8.674

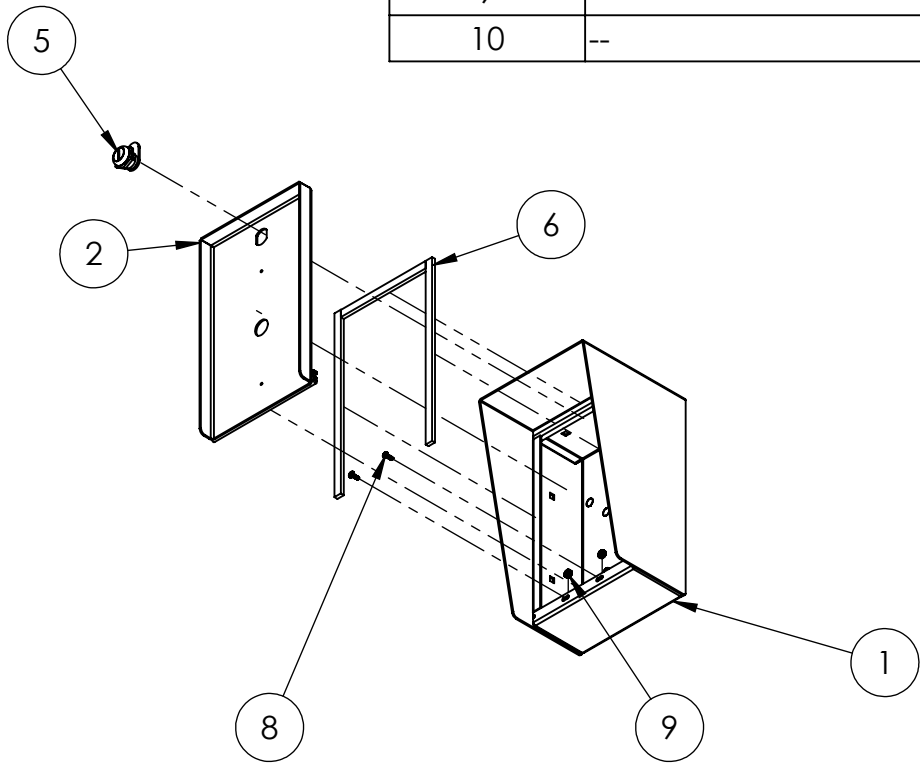
SIZE **A** PART NO. 610HOU-VIKI-03-304

NO SCALE

REV **C**

SHEET 1 OF 6

| ITEM NO. | PART NUMBER | DESCRIPTION | QTY. |
|----------|------------------------------|------------------------------|------|
| 1 | 610HOU-VIKI-03-304 ENCLOSURE | ENCLOSURE WELDMENT | 1 |
| 2 | 610HOU-VIKI-03-304 DOOR | DOOR WELDMENT | 1 |
| 3 | 610HOU-VIKI-03-304 HOOD | HOOD | 1 |
| 4 | HINGE | PIANO HINGE | 1 |
| 5 | CAM LOCK | STRAIGHT CAM | 1 |
| 6 | GASKET SIDE | 3/8" X .150 WEATHERSTRIPPING | 2 |
| 7 | GASKET TOP | 3/8" X .150 WEATHERSTRIPPING | 1 |
| 8 | -- | 6-32 PAN HEAD SCREW | 2 |
| 9 | -- | 6-32 EXTERNAL TOOTH LOCK NUT | 2 |
| 10 | -- | 8-32 HEX FLAT HEAD SCREW | 4 |



NOTES:

- SEE STANDARD PREPARATION AND COATING INSTRUCTIONS FOR COATING PROCEDURE AND COLOR.
- SEE STANDARD PACKAGING INSTRUCTIONS FOR PACKAGING PROCEDURE.



PEDESTALPRO.COM
1-800-660-3072

UNLESS OTHERWISE SPECIFIED:

DIMENSIONS ARE IN INCHES
TOLERANCES:
FRACTIONAL $\pm 1/32$
ANGULAR: $\pm 2^\circ$
TWO PLACE DECIMAL ± 0.010
THREE PLACE DECIMAL ± 0.005

INTERPRET GEOMETRIC
TOLERANCING PER:
ASME Y14.5 -2009

| NAME | DATE |
|---------|------|
| DRAWN | |
| CHECKED | |

PROPRIETARY AND CONFIDENTIAL

THE INFORMATION CONTAINED IN THIS DRAWING IS THE SOLE PROPERTY OF PEDESTALPRO LLC. ANY REPRODUCTION IN PART OR AS A WHOLE WITHOUT THE WRITTEN PERMISSION OF PEDESTALPRO LLC IS PROHIBITED.

TITLE:
ASSEMBLY

Tuesday, May 30, 2023
12:59:34 PM

WEIGHT: 8.674

| | |
|----------|--------------------|
| SIZE | PART NO. |
| A | 610HOU-VIKI-03-304 |

| |
|----------|
| REV |
| C |

NO SCALE

SHEET 2 OF 6