

PRODUCT FEATURES

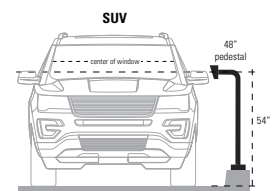
- Mount photo eyes and license plate cameras
- Universal design
- Heavy duty materials
- Steel construction
- Black wrinkle powder coating w/ UV protection
- NDAA, Buy American, or USMCA/CUSMA compliant
- Build To Order (BTO)
- Available direct or through distribution

CUSTOM OPTIONS

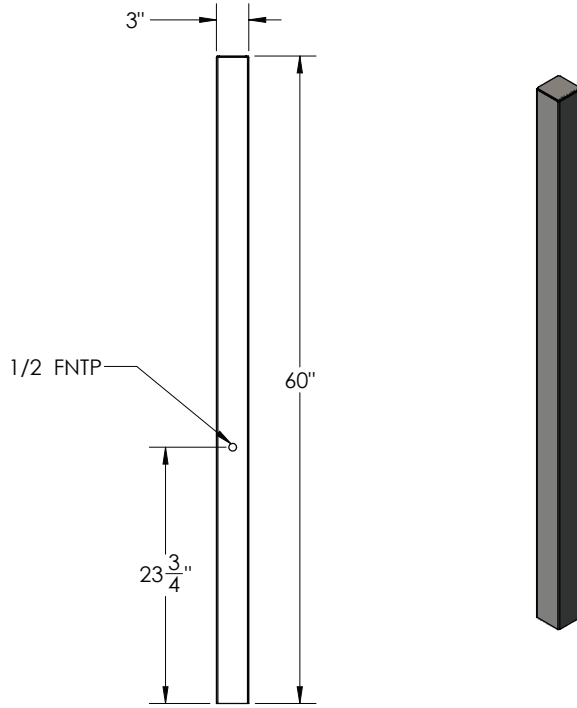
- Shorten or extend height
- Readily available powder coating colors (white, yellow, bronze, gray, silver)
- Choose any RAL powder color

DESCRIPTION

A strong bollard for mounting photo eyes, license plate cameras, and more at entry/exit points, gates, and parking lots. Place in the ground or wet cement. Bury the post in the ground 24" to achieve a device height of 36" to accommodate device mounting between ground level and semi-truck bumpers.



Download Vehicle Height Chart for more details



NOTE: CAD drawing available online.
Scan for more detail.



DATA & SPECS

Product Style	Bollard
Material	Steel
Tube	3" x 3" x .120" wall, steel
Face Plate	n/a
Base Plate	n/a
Cover Plate	n/a
Mounting Method	Pad mount
Pretreatment	High pressure/high temperature phosphate wash and rinse
Finish	Black wrinkle powder coating (TGIC outdoor polyester)
UV Protection	Yes
Hardware	n/a
Packaging	Foam wrapped and boxed individually
Package Size	64 x 7 x 7
Weight	28 lbs
Shipping Method	UPS, FedEx, or LTL freight
Compliance	NDA, Buy American, or USMCA/CUSMA (see website for details)
Warranty	1 year limited (see website for details)
Inventory Status	Build To Order (Fast Track production is available)

SIMILAR PRODUCTS

