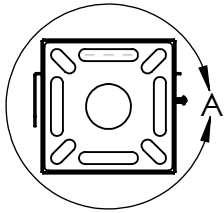
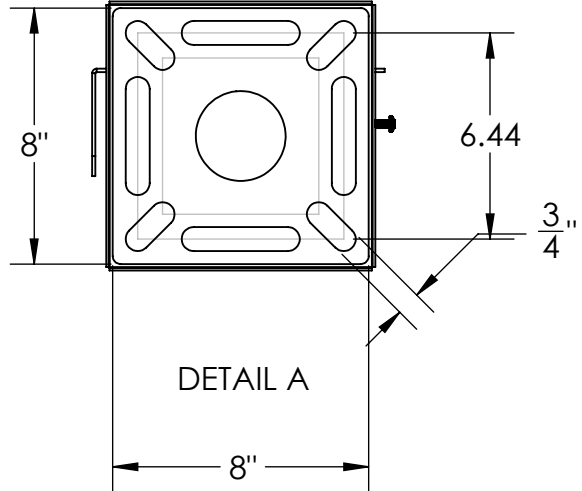
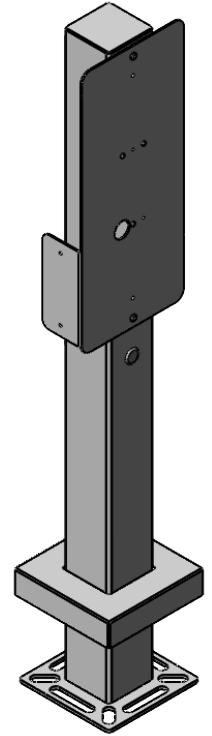
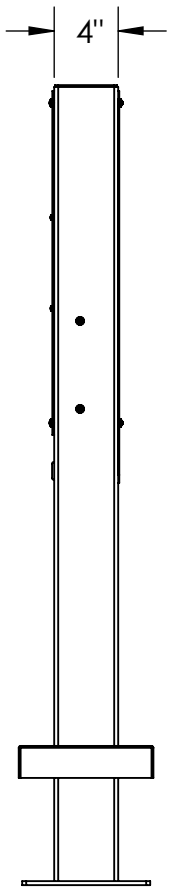


MOUNTS A CLIPPER CREEK HCS-40 OR A TESLA WALL CHARGER

*ORDER PART# PLTFAC-921-TES FOR A 2 UNIT CHARGE STATION. (DISCARD ACCESS PANEL AND MOUNT TO BACKSIDE.)



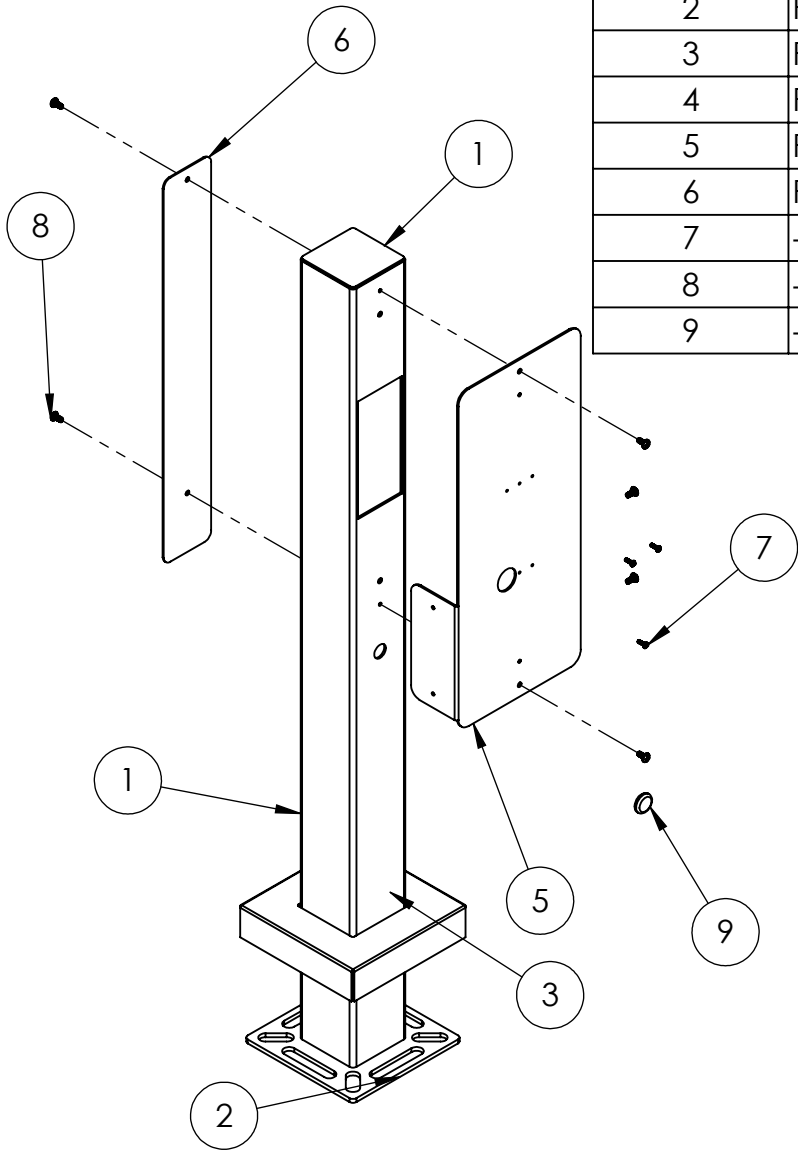
NOTES:
 1. MATERIAL OF CONSTRUCTION IS MILD STEEL COATED IN 2-4 MILS BLACK WRINKLE POWDER COATING.

PEDESTALPRO.COM
 1-800-660-3072

UNLESS OTHERWISE SPECIFIED:	NAME	DATE
DIMENSIONS ARE IN INCHES	DRAWN	
TOLERANCES:	CHECKED	
FRACTIONAL: ± 1/32	PROPRIETARY AND CONFIDENTIAL	
ANGULAR: ± 2°	THE INFORMATION CONTAINED IN THIS DRAWING IS THE SOLE PROPERTY OF PEDESTALPRO LLC. ANY REPRODUCTION IN PART OR AS A WHOLE WITHOUT THE WRITTEN PERMISSION OF PEDESTALPRO LLC IS PROHIBITED.	
TWO PLACE DECIMAL ± 0.010		
THREE PLACE DECIMAL ± 0.005		
INTERPRET GEOMETRIC TOLERANCING PER: ASME Y14.5 -2009		

TITLE:	INSTALLATION		SIZE	PART NO.	REV
Monday, October 18, 2021 2:20:40 PM			A	44TOW-EVCS-01-CRS	A
WEIGHT:	NO SCALE	SHEET 1 OF 5			

ITEM NO.	PART NUMBER	DESCRIPTION	QTY.
1	HD-BLACK TOWER	STEEL TOWER BODY	1
2	PLTBAS-8-3	STANDARD 8 IN BASE PLATE	1
3	PLTCOV-8-4	STANDARD 8 IN COVER PLATE	1
4	PLTCAP-4	STANDARD 4 IN CAP PLATE	1
5	PLTFAC-921-TES	TESLA/CLIPPER CREEK FACE PLATE	1
6	PLTACC-321	EV ACCESS PANEL	1
7	--	8-32 X 1/2" PAN HEAD SCREW	3
8	--	1/4-20 X 1/2 SS PAN HEAD	6
9	--	PUSH-IN PANEL PLUG FOR 7/8" ID	1



NOTES:

1. BUTT WELDED SECTIONS ARE NOT ALLOWED, EACH SECTION OF TUBE MUST BE FROM CONTINUOUS STOCK.
2. ALL WELDS ARE TO BE CONTINUOUS FILLET WELDS UNLESS NOTED OTHERWISE.
3. SEE STANDARD PREPARATION AND COATING INSTRUCTIONS FOR COATING PROCEDURE AND COLOR.
4. FASTENERS ARE TO BE BAGGED AND SHIPPED WITH PEDESTAL.
5. SEE STANDARD PACKAGING INSTUCTIONS FOR PACKAGING PROCEDURE.

PEDESTALPRO.COM
1-800-660-3072

UNLESS OTHERWISE SPECIFIED:

DIMENSIONS ARE IN INCHES
TOLERANCES:
FRACTIONAL $\pm 1/32$
ANGULAR: $\pm 2^\circ$
TWO PLACE DECIMAL ± 0.010
THREE PLACE DECIMAL ± 0.005

INTERPRET GEOMETRIC
TOLERANCING PER:
ASME Y14.5 -2009

NAME DATE

DRAWN

CHECKED

PROPRIETARY AND CONFIDENTIAL

THE INFORMATION CONTAINED IN THIS
DRAWING IS THE SOLE PROPERTY OF
PEDESTALPRO LLC. ANY REPRODUCTION
IN PART OR AS A WHOLE WITHOUT THE
WRITTEN PERMISSION OF PEDESTALPRO LLC
IS PROHIBITED.

TITLE:

ASSEMBLY

Monday, October 18,
2021 2:20:40 PM

WEIGHT:

SIZE
A

PART NO.

44TOW-EVCS-01-CRS

REV
A

NO SCALE

SHEET 2 OF 5