

## PRODUCT FEATURES

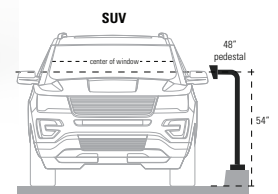
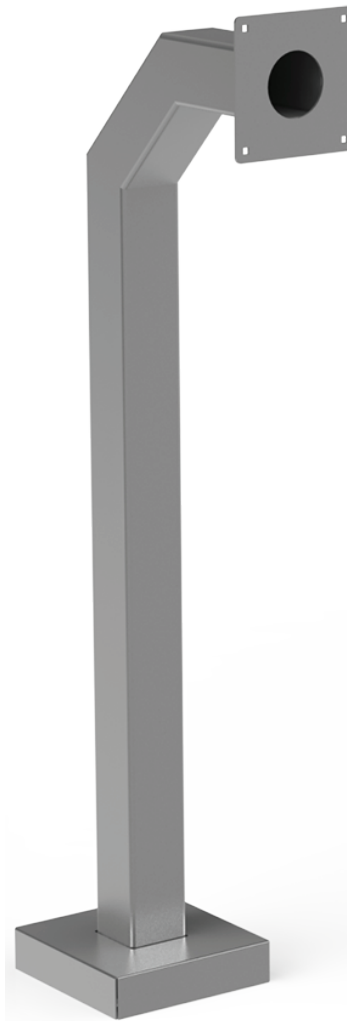
- Single height for cars and pedestrians
- Universal design
- Heavy duty materials
- Steel construction
- Brushed #4, 180 grit finish
- NDAA, Buy American, or USMCA/CUSMA compliant
- Build To Order (BTO)
- Available direct or through distribution

## CUSTOM OPTIONS

- Shorten or extend neck reach
- Shorten or extend height
- Customize face plate or base plate
- Readily available powder coating colors (white, yellow, bronze, gray, silver)
- Choose any RAL powder color

## DESCRIPTION

A strong and beautiful stainless steel, single-height, security pedestal for mounting access control devices at gates. Standing 42" tall, this pedestal will accommodate gate access for most cars and pedestrians.

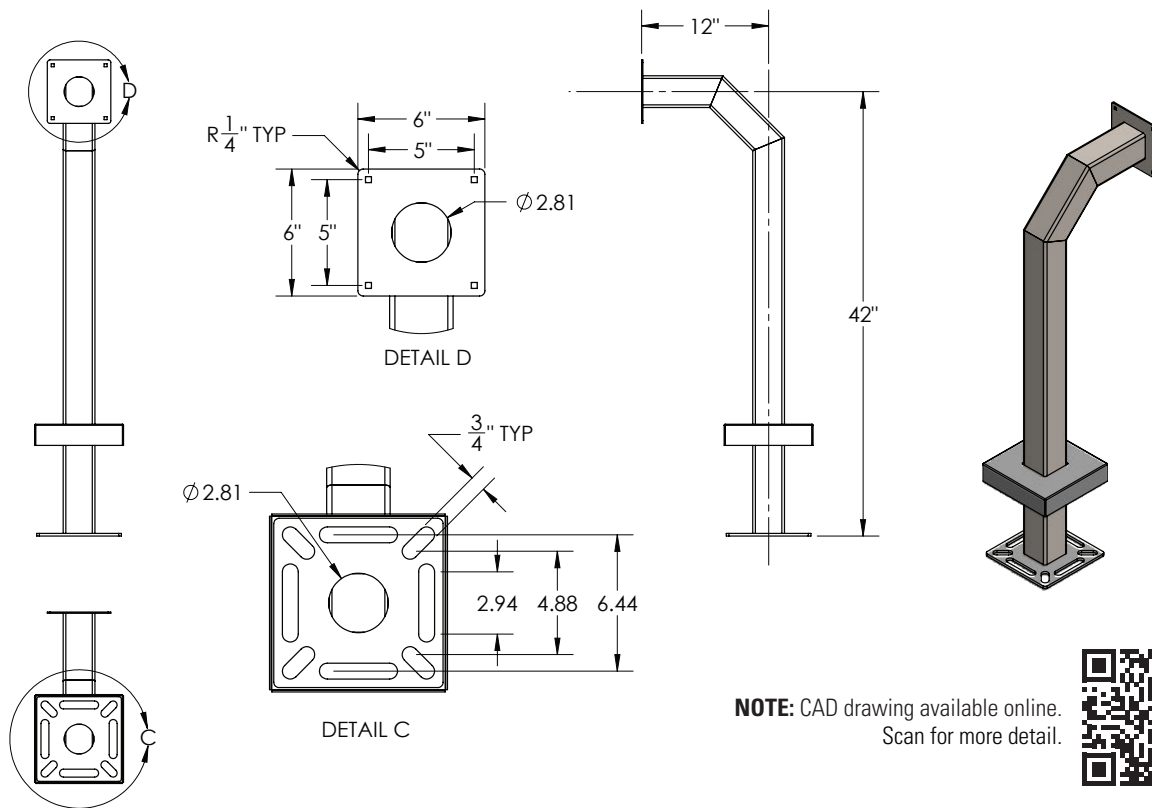


Download Vehicle Height Chart for more details

## RECOMMENDED ACCESSORIES

|                 |                 |                |   |   |   |                     |                 |
|-----------------|-----------------|----------------|---|---|---|---------------------|-----------------|
| <b>BOLT KIT</b> | <b>BOLT KIT</b> | <b>HOUSING</b> | <b>HOUSING</b>  | <b>HOUSING</b>  | <b>HOUSING</b>  | <b>BUFFER PLATE</b> | <b>SHIM KIT</b> |
|                 |                 |                |   |   |   |                     |                 |
| Stud-Anchor-625 | L-Bolt-625      | MC-SS-14-E     | 810HOU-PRO-001-304<br>(fits 2N IP Verso/Control4 1DS) | 814HOU-PRO-001-304<br>(fits 2N IP Verso/Control4 2DS) | 818HOU-PRO-001-304<br>(fits 2N IP Verso/Control4 3DS) | 57PLA-PRO-001-HDP   | Shim-Kit-001    |

**NOTE:** Real time inventory levels are viewable for registered users on [pedestalpro.com](http://pedestalpro.com)



**NOTE:** CAD drawing available online.  
Scan for more detail.



**DATA & SPECS**

|                  |  |
|------------------|--|
| Product Style    | Gooseneck  |
| Material         | Stainless steel #304   |
| Tube             | 3" x 3" x .120" wall, stainless steel #304                   |
| Face Plate       | .1217" (11 gauge) stainless steel #304                       |
| Base Plate       | .25" plate, stainless steel #304                             |
| Cover Plate      | .0749" (14 gauge) stainless steel #304                       |
| Mounting Method  | Pad mount  |
| Pretreatment     | High pressure/high temperature phosphate wash and rinse      |
| Finish           | Brushed #4, 180 grit polish                                  |
| UV Protection    | Yes  |
| Hardware         | 1/4-20 carriage bolts and nuts (qty 4 each, zinc plated)     |
| Packaging        | Foam wrapped and boxed individually                          |
| Package Size     | 45 x 15 x 10   |
| Weight           | 25 lbs   |
| Shipping Method  | UPS, FedEx, or LTL freight                                   |
| Compliance       | NDAA, Buy American, or USMCA/CUSMA (see website for details) |
| Warranty         | 1 year limited (see website for details)                     |
| Inventory Status | Build To Order (Fast Track production is available)          |

**SIMILAR PRODUCTS**

