

## PRODUCT FEATURES

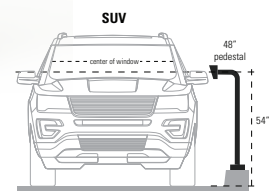
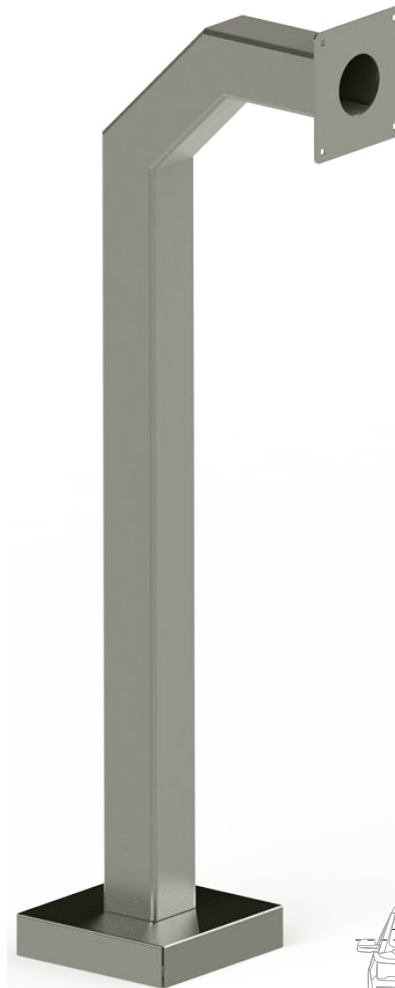
- Nickel powder coated (matches 2N IP Verso)
- Single height for cars and pedestrians
- Universal design
- Heavy duty materials
- Steel construction
- Metallic nickel powder coating w/ UV protection (matches 2N IP Verso)
- NDAA, Buy American, or USMCA/CUSMA compliant
- Build To Order (BTO)
- Available direct or through distribution

## CUSTOM OPTIONS

- Shorten or extend neck reach
- Shorten or extend height
- Customize face plate or base plate
- Readily available powder coating colors (white, yellow, bronze, gray, silver)
- Choose any RAL powder color

## DESCRIPTION

A strong, single-height, security pedestal for matching nickel-colored 2N IP Verso devices at gates. Standing 42" tall, this pedestal will accommodate gate access for most cars and pedestrians.



Download Vehicle Height Chart for more details

## RECOMMENDED ACCESSORIES

### BOLT KIT



Stud-Anchor-625

### BOLT KIT



L-Bolt-625

### HOUSING



810HOU-PRO-001-CRS-N  
(fits 2N IP Verso/Control4 1DS)

### HOUSING



814HOU-PRO-001-CRS-N  
(fits 2N IP Verso/Control4 2DS)

### HOUSING

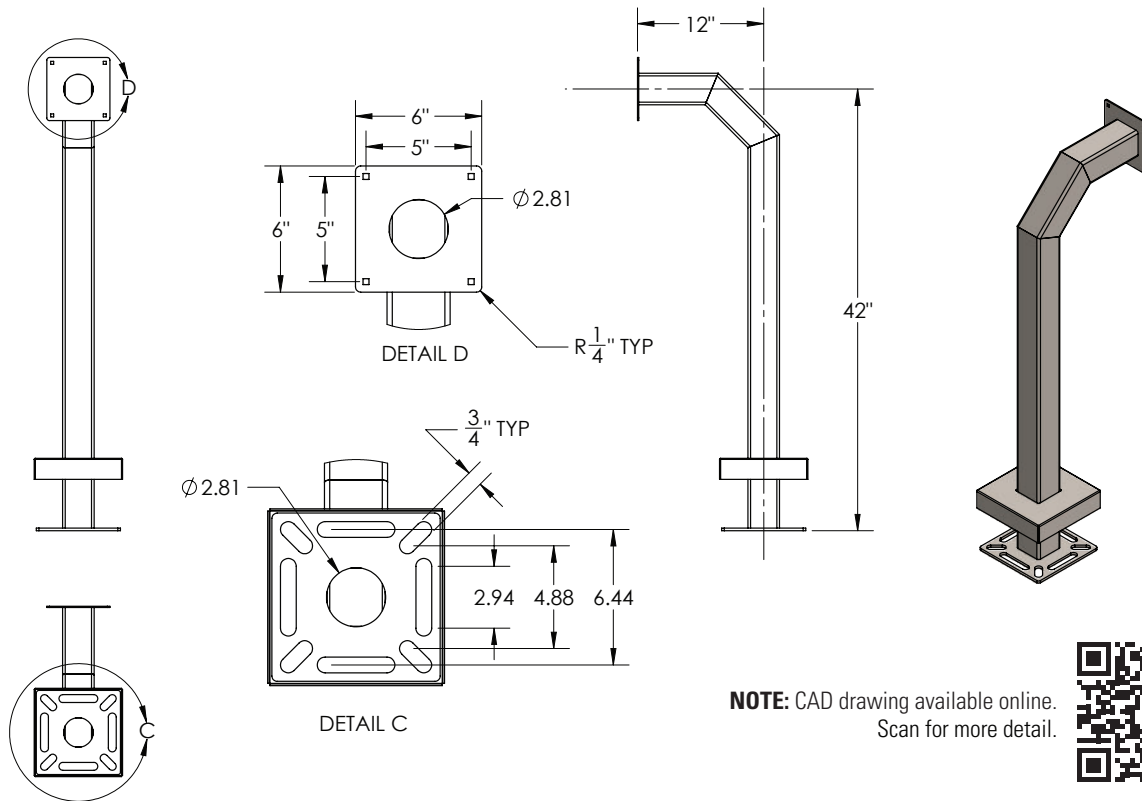


818HOU-PRO-001-CRS-N  
(fits 2N IP Verso/Control4 3DS)

### SHIM KIT



Shim-Kit-001



**NOTE:** CAD drawing available online.  
Scan for more detail.



**DATA & SPECS**

Product Style	Gooseneck
Material	Steel
Tube	3" x 3" x .120" wall, steel
Face Plate	.125" (11 gauge)
Base Plate	.25" plate
Cover Plate	.074" (14 gauge)
Mounting Method	Pad mount
Pretreatment	High pressure/high temperature phosphate wash and rinse
Finish	Metallic nickel powder coating (TGIC outdoor polyester)
UV Protection	Yes
Hardware	1/4-20 carriage bolts and nuts (qty 4 each, zinc plated)
Packaging	Foam wrapped and boxed individually
Package Size	45 x 15 x 10
Weight	25 lbs
Shipping Method	UPS, FedEx, or LTL freight
Compliance	NDA, Buy American, or USMCA/CUSMA (see website for details)
Warranty	1 year limited (see website for details)
Inventory Status	Build To Order (Fast Track production is available)

**SIMILAR PRODUCTS**

