

PRODUCT FEATURES

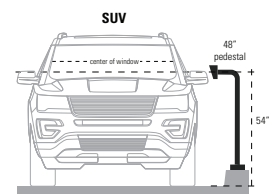
- Low profile neck
- Single height for cars and pedestrians
- Universal design
- Heavy duty materials
- Steel construction
- Black wrinkle powder coating w/ UV protection
- NDAA, Buy American, or USMCA/CUSMA compliant
- In-stock, ready-to-ship
- Available direct or through distribution

CUSTOM OPTIONS

- Shorten or extend neck reach
- Shorten or extend height
- Customize face plate or base plate
- Readily available powder coating colors (white, yellow, bronze, gray, silver)
- Choose any RAL powder color

DESCRIPTION

A low profile neck, single-height, security pedestal for mounting access control devices at gates. Standing 42" tall, this pedestal will accommodate gate access for most cars and pedestrians whether installed on or off a concrete curb or island.

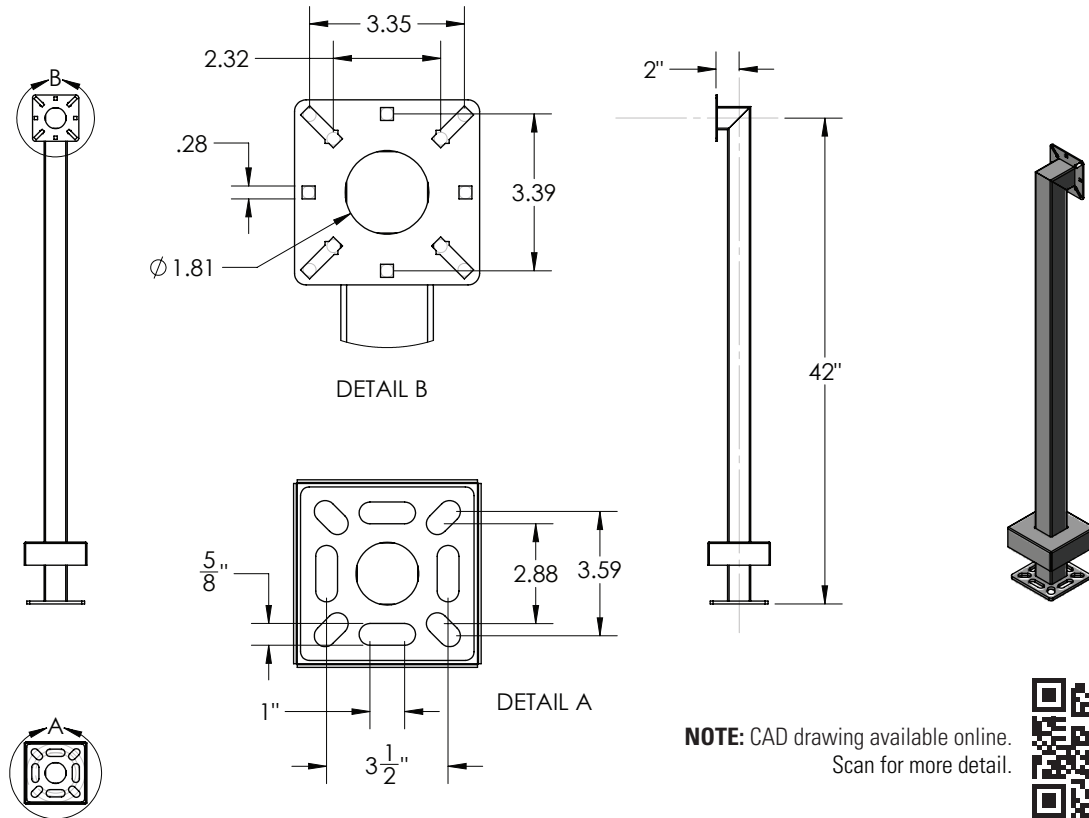


Download Vehicle Height Chart for more details

RECOMMENDED ACCESSORIES

BOLT KIT	BOLT KIT	HOOD	HOUSING	BUFFER PLATE	SHIM KIT	NECK EXTENSION	DIRECTIONAL HEAD
Stud-Anchor-500	L-Bolt-500	Hood-CS-04.5x6	MC-CS-8-E	57PLA-PRO-001-HDP	Shim-Kit-001	12-EXT-2	OMNI-4W5T-BLK

NOTE: Real time inventory levels are viewable for registered users on pedestalpro.com



NOTE: CAD drawing available online. Scan for more detail.



DATA & SPECS

Product Style	Gooseneck
Material	Steel
Tube	2" x 2" x .120" wall, steel
Face Plate	.125" (11 gauge)
Base Plate	.25" plate
Cover Plate	.074" (14 gauge)
Mounting Method	Pad mount
Pretreatment	High pressure/high temperature phosphate wash and rinse
Finish	Black wrinkle powder coating (TGIC outdoor polyester)
UV Protection	Yes
Hardware	1/4-20 carriage bolts and nuts (qty 4 each, zinc plated)
Packaging	Foam wrapped and boxed individually
Package Size	45 x 7 x 7
Weight	17 lbs
Shipping Method	UPS, FedEx, or LTL freight
Compliance	NDA, Buy American, or USMCA/CUSMA (see website for details)
Warranty	1 year limited (see website for details)
Inventory Status	In-Stock (inventory levels viewable for registered users on pedestalpro.com)

SIMILAR PRODUCTS

