

PRODUCT FEATURES

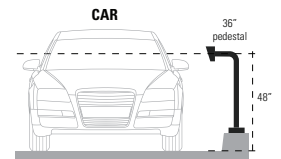
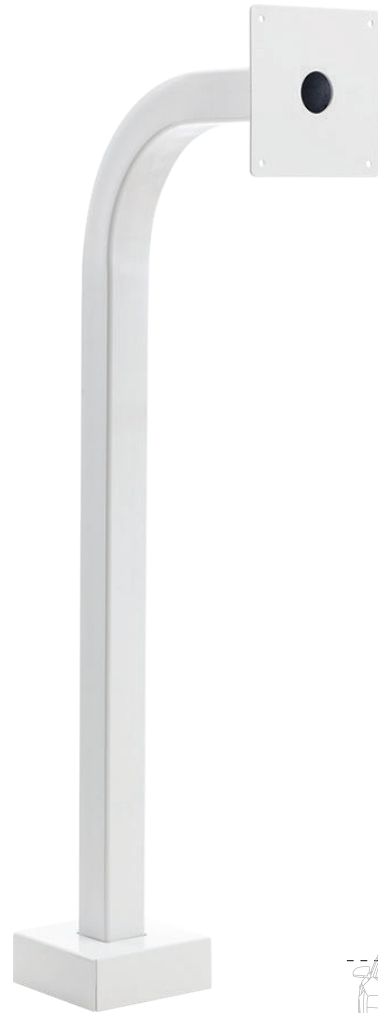
- Matches white requirements
- For placement on a concrete curb or island
- Single height for cars and pedestrians
- Universal design
- Heavy duty materials
- Steel construction
- Gloss white powder coating w/ UV protection
- NDAA, Buy American, or USMCA/CUSMA compliant
- Build To Order (BTO)
- Available direct or through distribution

CUSTOM OPTIONS

- Customize face plate or base plate
- Readily available powder coating colors (white, yellow, bronze, gray, silver)
- Choose any RAL powder color

DESCRIPTION

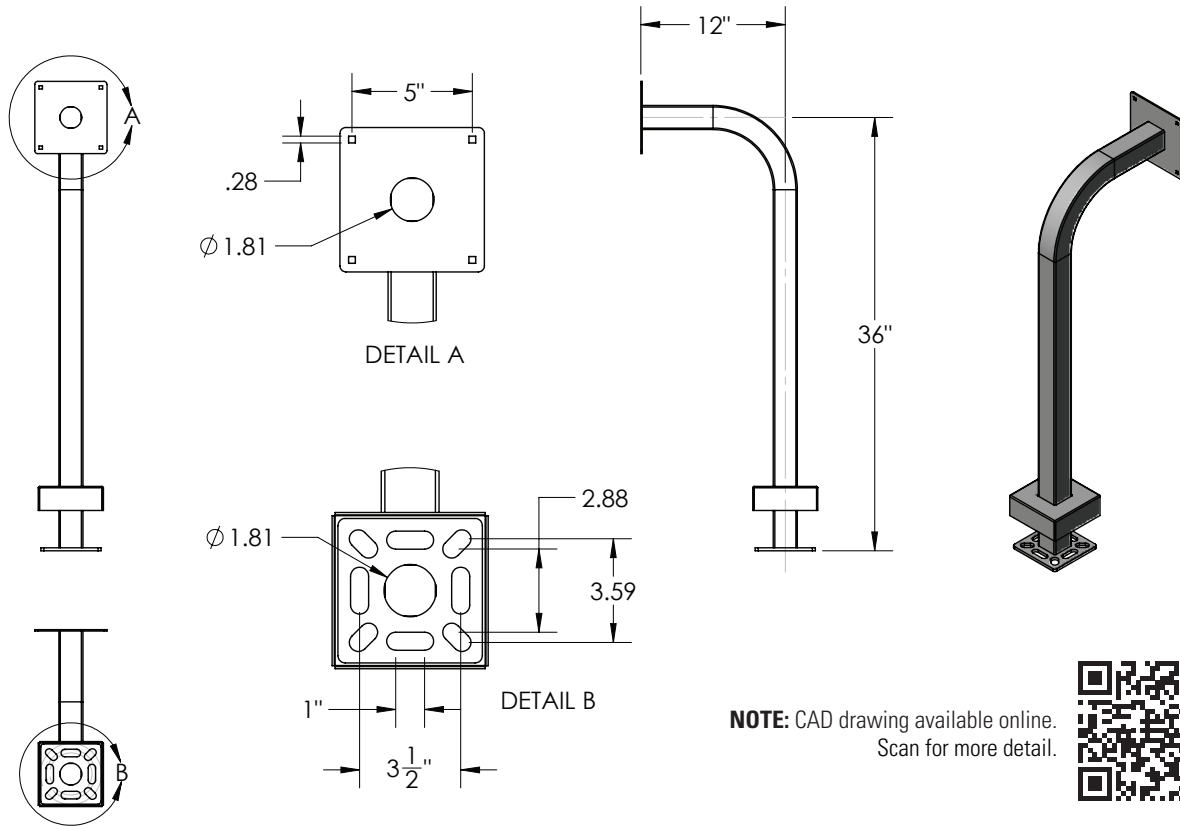
A low cost, single-height, security pedestal for mounting access control devices at gates. Standing 36" tall, this pedestal can be installed on a 6" curb or island to deliver a combined height of 42" which will accommodate most cars and pedestrians.



Download Vehicle Height Chart for more details

RECOMMENDED ACCESSORIES

<p>BOLT KIT</p> <p>Stud-Anchor-500</p>	<p>BOLT KIT</p> <p>L-Bolt-500</p>	<p>HOOD</p> <p>Hood-CS-08x8</p>	<p>HOUSING</p> <p>Lando-CS-10x8-E</p>	<p>BUFFER PLATE</p> <p>57PLA-PRO-001-HDP</p>	<p>SHIM KIT</p> <p>Shim-Kit-001</p>
---	--	--	--	---	--



NOTE: CAD drawing available online.
Scan for more detail.



DATA & SPECS

Product Style	Gooseneck
Material	Steel
Tube	2" x 2" x .120" wall, steel
Face Plate	.125" (11 gauge)
Base Plate	.25" plate
Cover Plate	.074" (14 gauge)
Mounting Method	Pad mount
Pretreatment	High pressure/high temperature phosphate wash and rinse
Finish	Gloss white powder coating (TGIC outdoor polyester)
UV Protection	Yes
Hardware	1/4-20 carriage bolts and nuts (qty 4 each, zinc plated)
Packaging	Foam wrapped and boxed individually
Package Size	45 x 12 x 7
Weight	17 lbs
Shipping Method	UPS, FedEx, or LTL freight
Compliance	NDA, Buy American, or USMCA/CUSMA (see website for details)
Warranty	1 year limited (see website for details)
Inventory Status	Build To Order (Fast Track production is available)

SIMILAR PRODUCTS

