

### PRODUCT FEATURES

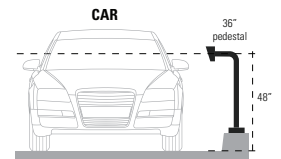
- For placement on a concrete curb or island
- Single height for cars and pedestrians
- Universal design
- Heavy duty materials
- Steel construction
- Black wrinkle powdercoat w/ UV protection
- NDAA, Buy American, or USMCA/CUSMA compliant
- In-stock, ready-to-ship
- Available direct or through distribution

### CUSTOM OPTIONS

- Customize face plate or base plate
- Readily available powder coating colors (white, yellow, bronze, gray, silver)
- Choose any RAL powder color

### DESCRIPTION

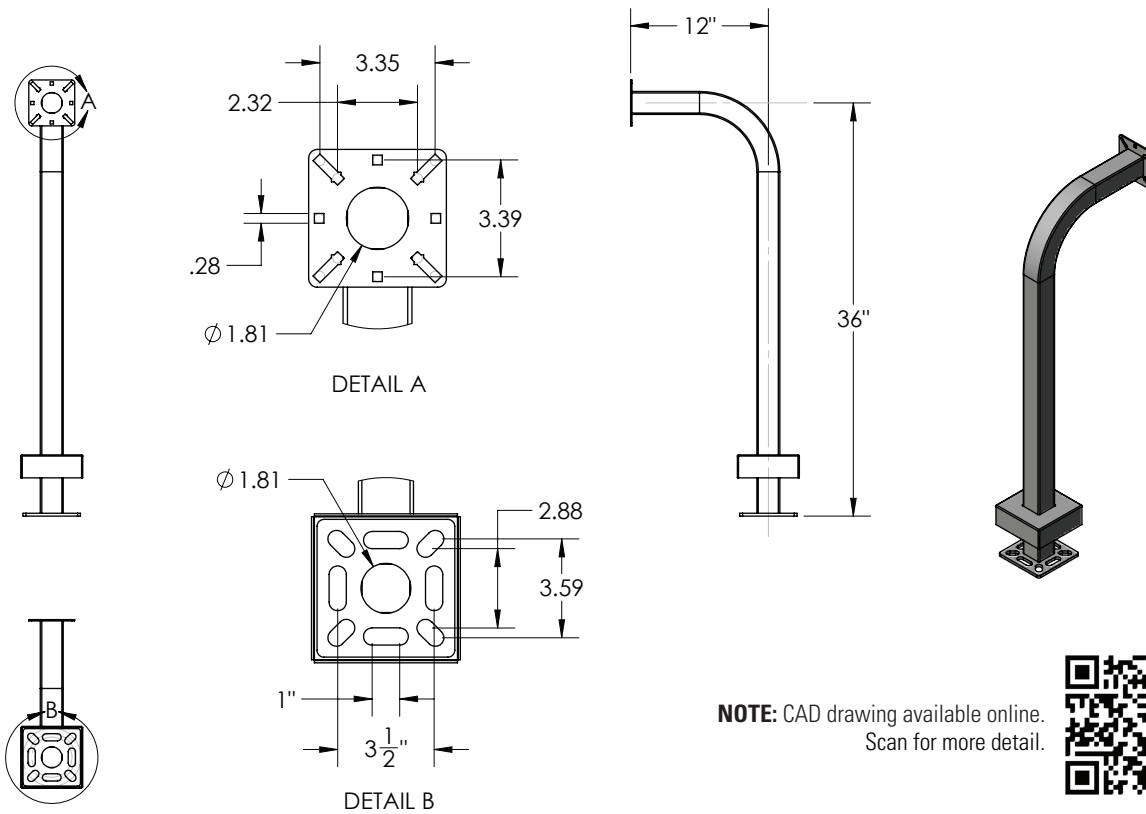
A low cost, single-height, security pedestal for mounting access control devices at gates. Standing 36" tall, this pedestal can be installed on a 6" curb or island to deliver a combined height of 42" which will accommodate most cars and pedestrians.



### RECOMMENDED ACCESSORIES

<b>BOLT KIT</b>	<b>BOLT KIT</b>	<b>HOOD</b>	<b>HOUSING</b>	<b>BUFFER PLATE</b>	<b>SHIM KIT</b>	<b>NECK EXTENSION</b>	<b>DIRECTIONAL HEAD</b>
Stud-Anchor-500	L-Bolt-500	HOOD-Hood-CS-04.5x6	Lando-CS-10x8-E	46PLA-PRO-001-HDP	Shim-Kit-001	12-EXT-2	OMNI-4W5T-BLK

**NOTE:** Real time inventory levels are viewable for registered users on [pedestalpro.com](http://pedestalpro.com)



**NOTE:** CAD drawing available online.  
Scan for more detail.



**DATA & SPECS**

Product Style	Gooseneck
Material	Steel
Tube	2" x 2" x .120" wall, steel
Face Plate	.125" (11 gauge)
Base Plate	.25" plate
Cover Plate	.074" (14 gauge)
Mounting Method	Pad mount
Pretreatment	High pressure/high temperature phosphate wash and rinse
Finish	Black wrinkle powdercoat (TGIC outdoor polyester)
UV Protection	Yes
Hardware	1/4-20 carriage bolts and nuts (qty 4 each, zinc plated)
Packaging	Foam wrapped and boxed individually
Package Size	45 x 12 x 7
Weight	17 lbs
Shipping Method	UPS, FedEx, or LTL freight
Compliance	NDAA, Buy American, or USMCA/CUSMA (see website for details)
Warranty	1 year limited (see website for details)
Inventory Status	In-Stock (inventory levels viewable for registered users on pedestalpro.com)

**SIMILAR PRODUCTS**

