

- NOTES:
1. 1/2"  $\phi$  MOUNTING HARDWARE IS RECOMMENDED FOR 5X5 BASEPLATE MODELS. L-BOLT-500, STUD-ANCHOR-500.
  2. 5/8"  $\phi$  MOUNTING HARDWARE IS RECOMMENDED FOR 8X8 AND 12X12 BASEPLATE MODELS. L-BOLT-625, STUD-ANCHOR-625
  3. MATERIALS FO CONSTRUCTION IS 304 SS



PEDESTALPRO.COM  
1-800-660-3072

UNLESS OTHERWISE SPECIFIED:

DIMENSIONS ARE IN INCHES  
TOLERANCES:  
FRACTIONAL  $\pm 1/32$   
ANGULAR:  $\pm 2^\circ$   
TWO PLACE DECIMAL  $\pm 0.010$   
THREE PLACE DECIMAL  $\pm 0.005$

INTERPRET GEOMETRIC  
TOLERANCING PER:  
ASME Y14.5 -2009

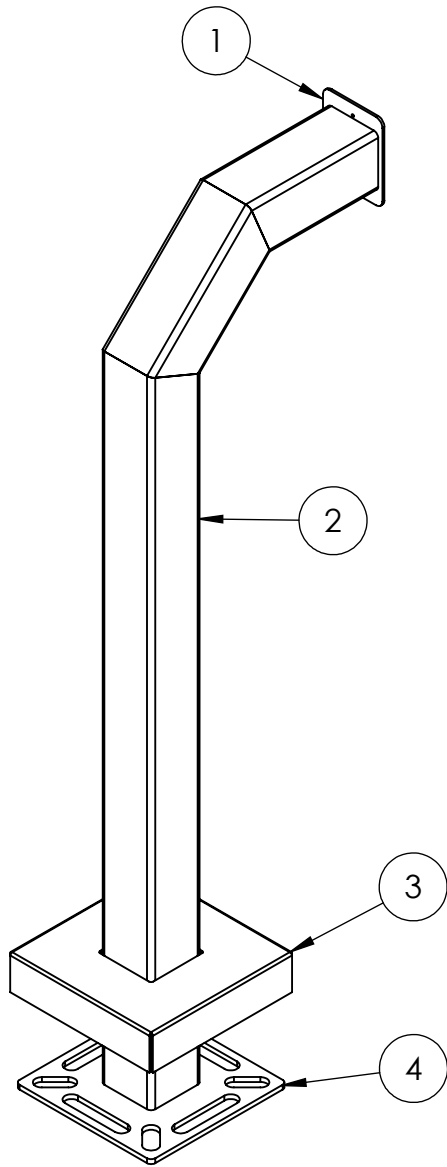
| NAME   | DATE |
|--|------|
| DRAWN  |      |
| CHECKED  |      |
| <b>PROPRIETARY AND CONFIDENTIAL</b>  |      |
| THE INFORMATION CONTAINED IN THIS DRAWING IS THE SOLE PROPERTY OF PEDESTALPRO LLC. ANY REPRODUCTION IN PART OR AS A WHOLE WITHOUT THE WRITTEN PERMISSION OF PEDESTALPRO LLC IS PROHIBITED. |      |

TITLE:  
**INSTALLATION**

Thursday, October 25,  
2018 3:57:46 PM

WEIGHT:

| SIZE     | PART NO.          | REV          |
|----------|-------------------|--------------|
| <b>A</b> | 33PE1-PPRO-01-304 | <b>B</b>     |
| NO SCALE |                   | SHEET 1 OF 4 |



| ITEM NO. | PART NUMBER | DESCRIPTION                        | QTY. |
|----------|-------------|------------------------------------|------|
| 1        | PLTFAC-3-4  | MOUNTING PLATE                     | 1    |
| 2        | 42-3-12-SS  | 3X3 SQ 304SS TUBE                  | 1    |
| 3        | PLTCOV-8-3  | 8" STANDARD 304SS COVER PLATE      | 1    |
| 4        | PLTBAS-8-3  | 8" STANDARD 304SS BASE PLATE       | 1    |
| 5        | --          | 1/4-20 X .50 ZINC PL CARRIAGE BOLT | 4    |
| 6        | --          | 1/4-20 ZINC PL HEX NUT             | 4    |

**NOTES:**

1. BUTT WELDED SECTIONS ARE NOT ALLOWED, EACH SECTION OF TUBE MUST BE FROM CONTINUOUS STOCK.
2. ALL WELDS ARE TO BE CONTINUOUS FILLET WELDS UNLESS NOTED OTHERWISE.
3. SEE STANDARD PREPARATION AND COATING INSTRUCTIONS FOR COATING PROCEDURE AND COLOR.
4. FASTENERS ARE TO BE BAGGED AND SHIPPED WITH PEDESTAL.
5. SEE STANDARD PACKAGING INSTUCTIONS FOR PACKAGING PROCEDURE.



PEDESTALPRO.COM  
1-800-660-3072

UNLESS OTHERWISE SPECIFIED:

DIMENSIONS ARE IN INCHES  
TOLERANCES:  
FRACTIONAL  $\pm 1/32$   
ANGULAR:  $\pm 2^\circ$   
TWO PLACE DECIMAL  $\pm 0.010$   
THREE PLACE DECIMAL  $\pm 0.005$

INTERPRET GEOMETRIC  
TOLERANCING PER:  
ASME Y14.5 -2009

| NAME    | DATE |
|---------|------|
| DRAWN   |      |
| CHECKED |      |

**PROPRIETARY AND CONFIDENTIAL**

THE INFORMATION CONTAINED IN THIS DRAWING IS THE SOLE PROPERTY OF PEDESTALPRO LLC. ANY REPRODUCTION IN PART OR AS A WHOLE WITHOUT THE WRITTEN PERMISSION OF PEDESTALPRO LLC IS PROHIBITED.

TITLE:  
**ASSEMBLY**

Thursday, October 25,  
2018 3:57:46 PM

WEIGHT:

|                  |                               |
|------------------|-------------------------------|
| SIZE<br><b>A</b> | PART NO.<br>33PE1-PPRO-01-304 |
|------------------|-------------------------------|

|                 |
|-----------------|
| REV<br><b>B</b> |
|-----------------|

NO SCALE

SHEET 2 OF 4