

**NOTES:**

1. MATERIAL OF CONSTRUCTION IS MILD STEEL COATED IN 2-4 MILS GREEN POWDER COATING WITH A ZINC ENRICHED PRIMER.
2. MATERIAL OF CONSTRUCTION IS ALUMINUM COATED IN 2-4 MILS WHITE POWDER COATING.



PEDESTALPRO.COM  
1-800-660-3072

UNLESS OTHERWISE SPECIFIED:

DIMENSIONS ARE IN INCHES  
TOLERANCES:  
FRACTIONAL  $\pm 1/32$   
ANGULAR:  $\pm 2^\circ$   
TWO PLACE DECIMAL  $\pm 0.010$   
THREE PLACE DECIMAL  $\pm 0.005$

INTERPRET GEOMETRIC  
TOLERANCING PER:  
ASME Y14.5 -2009

NAME	DATE
DRAWN	
CHECKED	

**PROPRIETARY AND CONFIDENTIAL**

THE INFORMATION CONTAINED IN THIS DRAWING IS THE SOLE PROPERTY OF PEDESTALPRO LLC. ANY REPRODUCTION IN PART OR AS A WHOLE WITHOUT THE WRITTEN PERMISSION OF PEDESTALPRO LLC IS PROHIBITED.

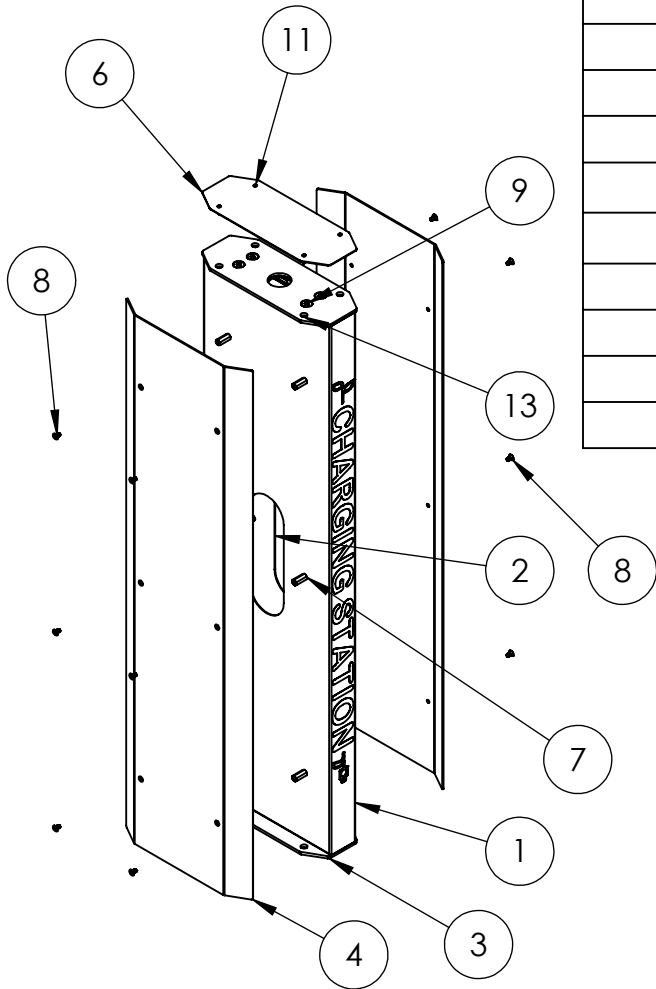
TITLE:  
**INSTALLATION**

Friday, October 7,  
2022 10:23:37 AM

WEIGHT: 75.581

SIZE	PART NO.	REV
<b>A</b>	156TOW-EVCS-01-CRS	<b>A</b>
NO SCALE		SHEET 1 OF 10

ITEM NO.	PART NUMBER	DESCRIPTION	QTY.
1	156TOW-EVCS-01-CRS BODY	CHARGE STATION MAIN BODY	1
2	156TOW-EVCS-01-CRS PANEL	CHARGE STATION PANEL	1
3	156TOW-EVCS-01-CRS BASE	CHARGE STATION BASE PLATE	2
4	156TOW-EVCS-01-CRS FACADE	CHARGE STATION ALUMINUM FACADE	2
5	156TOW-EVCS-01-CRS BRACE	INTERNAL BRACING PLATE	2
6	156TOW-EVCS-01-CRS BLANK	CHARGE STATION BLANK CAP PLATE	1
7	--	1/4-20 X 1.25 STANDOFF ZNC PLT STL	12
8	--	1/4-20 X .5 SS FLT HD SCREW	12
9	--	1/2-13 X .75 SS FLT HD SCREW	8
10	--	1/4-20 STAINLESS STEEL PRESS-FIT NUT	12
11	--	1/4-20 X .75 SS PRESS-FIT STUDS	4
12	--	1/4-20 STAINLESS STEEL HEX NUT	4
13	--	1/4 STAINLESS STEEL WASHER	4
14	156TOW-EVCS-02-CRS DECAL	CHARGING STATION DECAL	2



NOTES:

- SEE STANDARD PREPARATION AND COATING INSTRUCTIONS FOR COATING PROCEDURE AND COLOR.
- SEE STANDARD PACKAGING INSTRUCTIONS FOR PACKAGING PROCEDURE.



PEDESTALPRO.COM  
1-800-660-3072

UNLESS OTHERWISE SPECIFIED:

DIMENSIONS ARE IN INCHES  
TOLERANCES:  
FRACTIONAL  $\pm 1/32$   
ANGULAR:  $\pm 2^\circ$   
TWO PLACE DECIMAL  $\pm 0.010$   
THREE PLACE DECIMAL  $\pm 0.005$

INTERPRET GEOMETRIC  
TOLERANCING PER:  
ASME Y14.5 -2009

UNLESS OTHERWISE SPECIFIED:	NAME	DATE
DRAWN		
CHECKED		
<b>PROPRIETARY AND CONFIDENTIAL</b>		
THE INFORMATION CONTAINED IN THIS DRAWING IS THE SOLE PROPERTY OF PEDESTALPRO LLC. ANY REPRODUCTION IN PART OR AS A WHOLE WITHOUT THE WRITTEN PERMISSION OF PEDESTALPRO LLC IS PROHIBITED.		

TITLE:		SIZE	PART NO.	REV
<b>ASSEMBLY</b>		<b>A</b>	156TOW-EVCS-01-CRS	<b>A</b>
Friday, October 7, 2022 10:23:37 AM		NO SCALE		SHEET 2 OF 10
WEIGHT: 75.581				