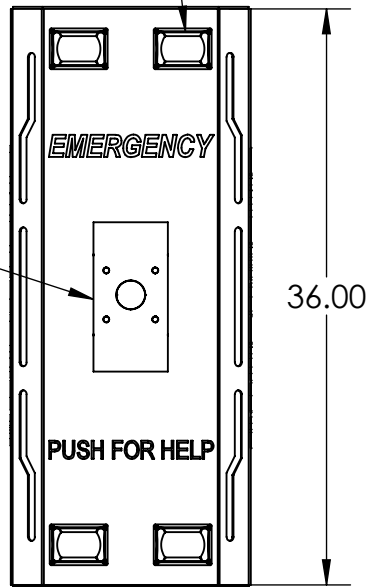
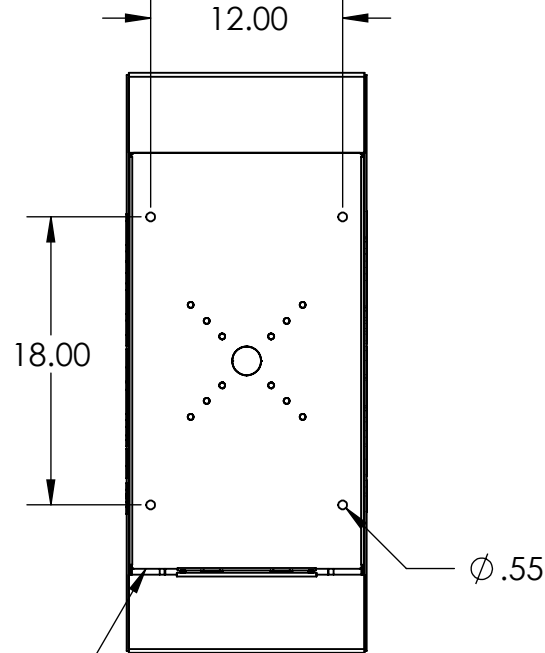


(4X) BLUE STROBE LIGHT

2N IP SAFETY
(REQUIRES
PLASTERBOARD
MOUNT P/N
9151002)

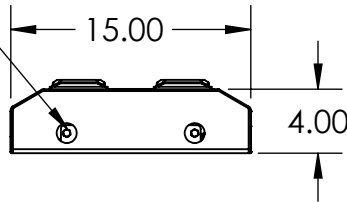


4.00 PHOTOCELL SENSOR



MOUNTING PANEL

(2X) 1/4 HEX BOLTS
SECURE TO MOUNTING
PANEL



NOTES:

1. MATERIAL OF CONSTRUCTION IS ALUMINUM.
2. COATED IN 2-4 MILS GLOSS BLUE POWDER COATING.
3. INTERCOM, CAMERAS, ETC. TO BE PROVIDED BY CUSTOMER.
4. LIGHTING REQUIRES CONNECTION TO INTERCOM FOR ACTIVATION.



PEDESTALPRO.COM
1-800-660-3072

UNLESS OTHERWISE SPECIFIED:

DIMENSIONS ARE IN INCHES
TOLERANCES:
FRACTIONAL: ± 1/32
ANGULAR: ± 2°
TWO PLACE DECIMAL ± 0.010
THREE PLACE DECIMAL ± 0.005

INTERPRET GEOMETRIC
TOLERANCING PER:
ASME Y14.5 -2009

NAME	DATE
DRAWN	
CHECKED	

PROPRIETARY AND CONFIDENTIAL
THE INFORMATION CONTAINED IN THIS
DRAWING IS THE SOLE PROPERTY OF
PEDESTALPRO LLC. ANY REPRODUCTION
IN PART OR AS A WHOLE WITHOUT THE
WRITTEN PERMISSION OF PEDESTALPRO LLC
IS PROHIBITED.

TITLE:
INSTALLATION

Friday, September 1,
2023 12:15:55 PM

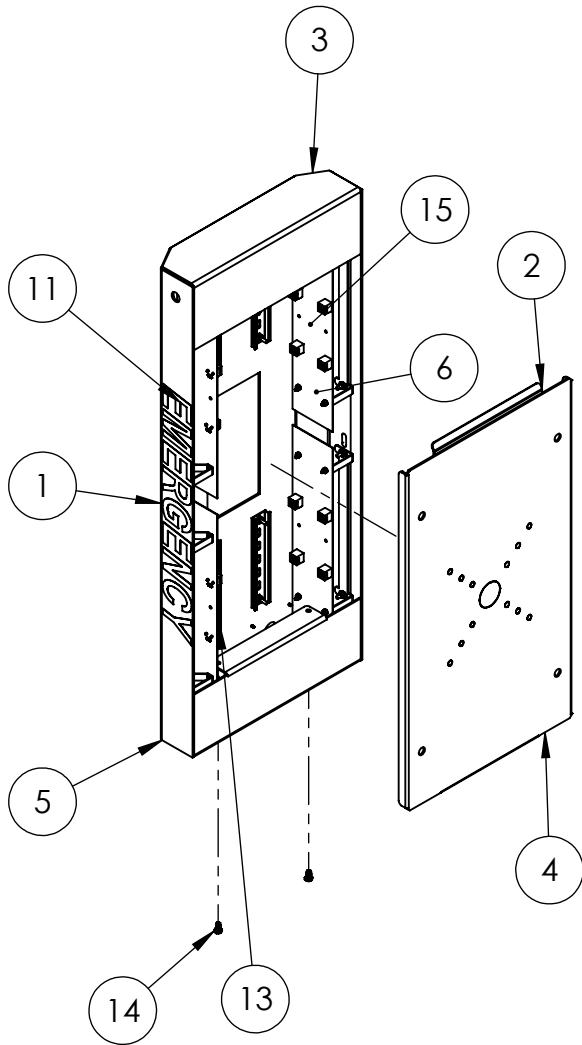
WEIGHT: 275.989

SIZE PART NO.
A 156STA-AXIS-01-ALU

NO SCALE

REV
B

SHEET 1 OF 14



ITEM NO.	PART NUMBER	DESCRIPTION	QTY.
1	156STA-AXIS-01-ALU BODY	ALUM BODY	1
2	156STA-AXIS-01-ALU HOOK	WALL BRACKET HOOK	1
3	156STA-AXIS-01-ALU CAP	TOP CAP	1
4	156STA-AXIS-01-ALU MOUNT	WALL MOUNTING BRACKET	1
5	156STA-AXIS-01-ALU BOTTOM	BOTTOM CAP	1
6	156STA-AXIS-01-ALU POLYCARBONATE	FROSTED POLYCARBONATE WINDOW	2
7	BLUE BRICK LIGHT	BLUE STROBE LED LIGHT	4
8	BRA113-EMER-01-304	LED LIGHT BRACKET	4
9	SMALL EMERGENCY DECAL	WHITE REFLECTIVE VINYL	1
10	PUSH FOR HELP DECAL	WHITE REFLECTIVE VINYL	1
11	STATION EMERGENCY DECAL	WHITE REFLECTIVE VINYL	2
12	--	4-40 X 1/2 SS PAN HD SCREWS	16
13	--	DIN MOUNTING RAIL	4
14	--	1/4-20 X 1/2" HHCS	2
16	--	10-24 X .75" ALU WELD STUD	16
17	--	10-24 STAINLESS STEEL KEPS NUT	16
18	--	6-32 X 1/2" SS WELD STUD	16
19	--	6-32 SS NYLON LOCK NUT	16

NOTES:

- SEE STANDARD PREPARATION AND COATING INSTRUCTIONS FOR COATING PROCEDURE AND COLOR.
- SEE STANDARD PACKAGING INSTRUCTIONS FOR PACKAGING PROCEDURE.



PEDESTALPRO.COM
1-800-660-3072

UNLESS OTHERWISE SPECIFIED:

DIMENSIONS ARE IN INCHES
TOLERANCES:
FRACTIONAL $\pm 1/32$
ANGULAR: $\pm 2^\circ$
TWO PLACE DECIMAL ± 0.010
THREE PLACE DECIMAL ± 0.005

INTERPRET GEOMETRIC
TOLERANCING PER:
ASME Y14.5 -2009

NAME	DATE
DRAWN	
CHECKED	

PROPRIETARY AND CONFIDENTIAL
THE INFORMATION CONTAINED IN THIS DRAWING IS THE SOLE PROPERTY OF PEDESTALPRO LLC. ANY REPRODUCTION IN PART OR AS A WHOLE WITHOUT THE WRITTEN PERMISSION OF PEDESTALPRO LLC IS PROHIBITED.

TITLE:
ASSEMBLY

Friday, September 1,
2023 12:15:55 PM

WEIGHT: 275.989

SIZE **A** PART NO.
156STA-AXIS-01-ALU

REV **B**

NO SCALE

SHEET 2 OF 14