

NOTES:

- MATERIAL OF CONSTRUCTION IS 304 SS, BRUSHED #4.



PEDESTALPRO.COM  
1-800-660-3072

UNLESS OTHERWISE SPECIFIED:

DIMENSIONS ARE IN INCHES  
TOLERANCES:  
FRACTIONAL  $\pm 1/32$   
ANGULAR:  $\pm 2^\circ$   
TWO PLACE DECIMAL  $\pm 0.010$   
THREE PLACE DECIMAL  $\pm 0.005$

INTERPRET GEOMETRIC  
TOLERANCING PER:  
ASME Y14.5 -2009

NAME	DATE
DRAWN	
CHECKED	

**PROPRIETARY AND CONFIDENTIAL**  
THE INFORMATION CONTAINED IN THIS  
DRAWING IS THE SOLE PROPERTY OF  
PEDESTALPRO LLC. ANY REPRODUCTION  
IN PART OR AS A WHOLE WITHOUT THE  
WRITTEN PERMISSION OF PEDESTALPRO LLC  
IS PROHIBITED.

TITLE:  
**INSTALLATION**

Wednesday, April 7,  
2021 11:36:18 AM

WEIGHT: 55.085

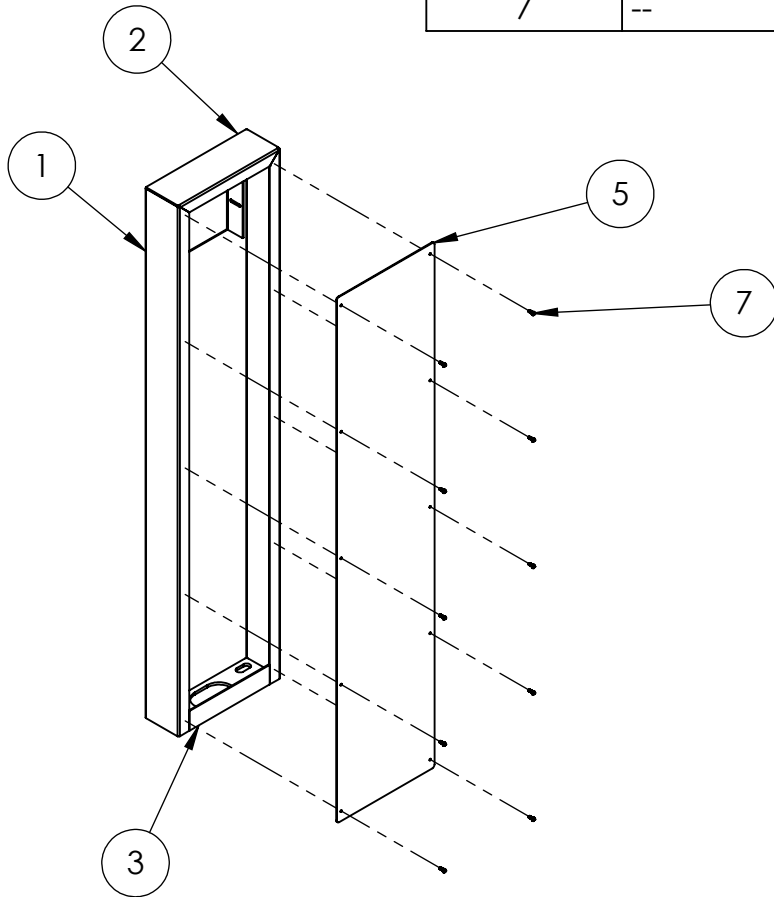
SIZE <b>A</b>	PART NO. 124CAB-DOOR-01-304
------------------	--------------------------------

REV <b>0</b>
-----------------

NO SCALE

SHEET 1 OF 9

ITEM NO.	PART NUMBER	DESCRIPTION	QTY.
1	124CAB-DOOR-01-304 MAIN BODY	MAIN BODY	1
2	124CAB-DOOR-01-304 TOP	TOP	1
3	124CAB-DOOR-01-304 BOTTOM CLOSURE	BOTTOM CLOSURE	1
4	124CAB-DOOR-01-304 BASE PLATE	BASE PLATE	1
5	124CAB-DOOR-01-304 ACCESS PANEL	ACCESS PANEL	1
6	PLTBRA-DOOR-2-6	D1101KH BRACKET MOUNT	2
7	--	8-32 PAN HEAD SCREW	10



NOTES:

- SEE STANDARD PREPARATION AND COATING INSTRUCTIONS FOR COATING PROCEDURE AND COLOR.
- SEE STANDARD PACKAGING INSTRUCTIONS FOR PACKAGING PROCEDURE.



PEDESTALPRO.COM  
1-800-660-3072

UNLESS OTHERWISE SPECIFIED:

DIMENSIONS ARE IN INCHES  
TOLERANCES:  
FRACTIONAL  $\pm 1/32$   
ANGULAR:  $\pm 2^\circ$   
TWO PLACE DECIMAL  $\pm 0.010$   
THREE PLACE DECIMAL  $\pm 0.005$

INTERPRET GEOMETRIC  
TOLERANCING PER:  
ASME Y14.5 -2009

NAME	DATE
DRAWN	
CHECKED	

**PROPRIETARY AND CONFIDENTIAL**

THE INFORMATION CONTAINED IN THIS DRAWING IS THE SOLE PROPERTY OF PEDESTALPRO LLC. ANY REPRODUCTION IN PART OR AS A WHOLE WITHOUT THE WRITTEN PERMISSION OF PEDESTALPRO LLC IS PROHIBITED.

TITLE:

ASSEMBLY

Friday, February 5,  
2021 2:27:20 PM

WEIGHT: 55.085

SIZE  
**A**

PART NO.  
124CAB-DOOR-01-304

REV  
**0**

NO SCALE

SHEET 2 OF 9