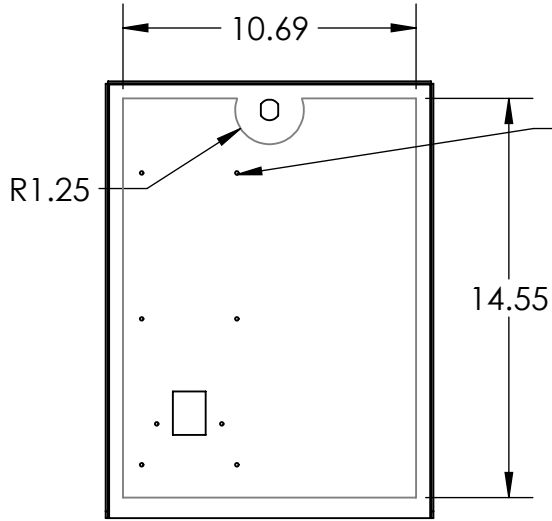
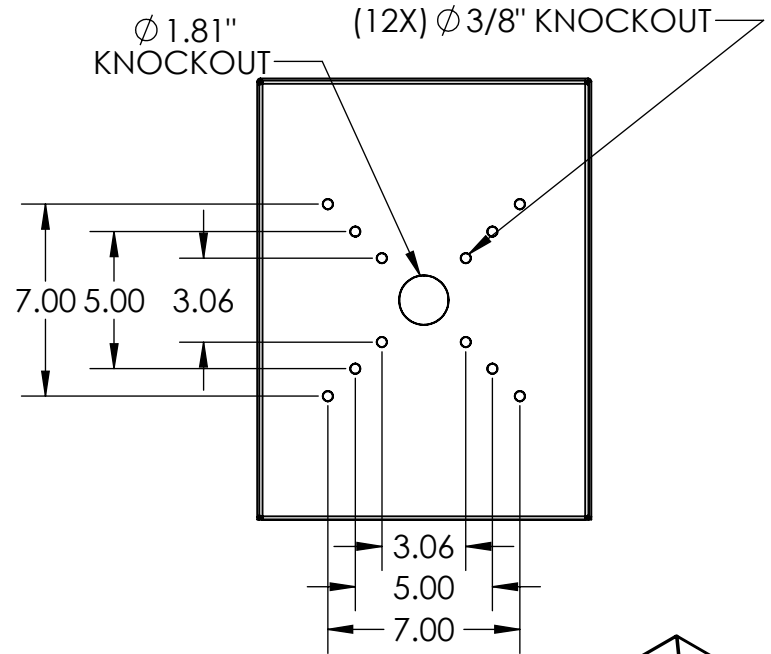


SECTION A-A

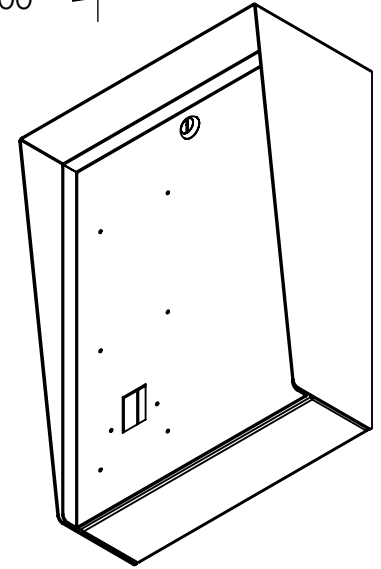


AVAILABLE CUTOUT AREA

SWIFTLANE SWIFTREADER X
SURFACE MOUNT

NOTES:

1. MATERIAL OF CONSTRUCTION IS 304 SS, BRUSHED #4.



PEDESTALPRO.COM
1-800-660-3072

UNLESS OTHERWISE SPECIFIED:

DIMENSIONS ARE IN INCHES
TOLERANCES:
FRACTIONAL $\pm 1/32$
ANGULAR: $\pm 2^\circ$
TWO PLACE DECIMAL ± 0.010
THREE PLACE DECIMAL ± 0.005

INTERPRET GEOMETRIC
TOLERANCING PER:
ASME Y14.5 -2009

| NAME | DATE |
|---------|------|
| DRAWN | |
| CHECKED | |

PROPRIETARY AND CONFIDENTIAL
THE INFORMATION CONTAINED IN THIS
DRAWING IS THE SOLE PROPERTY OF
PEDESTALPRO LLC. ANY REPRODUCTION
IN PART OR AS A WHOLE WITHOUT THE
WRITTEN PERMISSION OF PEDESTALPRO LLC
IS PROHIBITED.

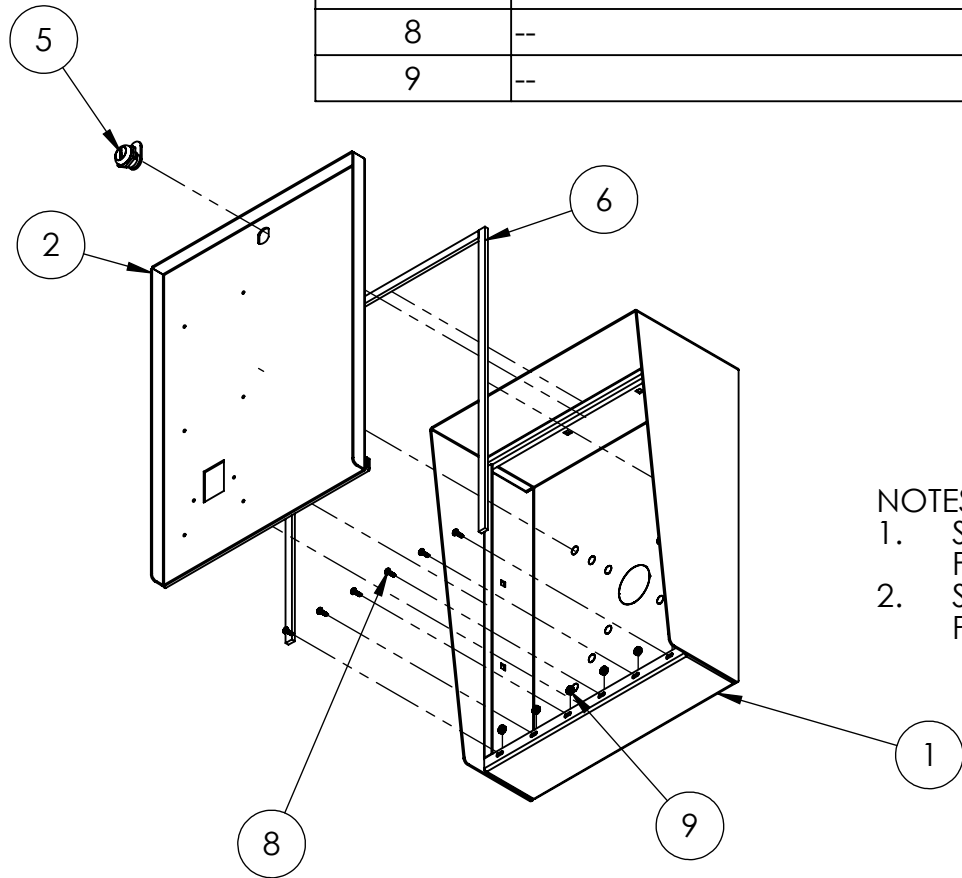
TITLE:
INSTALLATION

Thursday, July 6, 2023
2:46:44 PM

WEIGHT: 18.972

| SIZE | PART NO. | REV |
|----------|---------------------|--------------|
| A | 1216HOU-SWIF-01-304 | A |
| NO SCALE | | SHEET 1 OF 6 |

| ITEM NO. | PART NUMBER | DESCRIPTION | QTY. |
|----------|-------------------------------|------------------------------|------|
| 1 | 1216HOU-SWIF-01-304 ENCLOSURE | ENCLOSURE WELDMENT | 1 |
| 2 | 1216HOU-SWIF-01-304 DOOR | DOOR WELDMENT | 1 |
| 3 | 1216HOU-SWIF-01-304 HOOD | HOOD | 1 |
| 4 | HINGE | PIANO HINGE | 1 |
| 5 | CAM LOCK | STRAIGHT CAM | 1 |
| 6 | GASKET SIDE | 3/8" X .150 WEATHERSTRIPPING | 2 |
| 7 | GASKET TOP | 3/8" X .150 WEATHERSTRIPPING | 1 |
| 8 | -- | 6-32 PAN HEAD SCREW | 6 |
| 9 | -- | 6-32 EXTERNAL TOOTH LOCK NUT | 6 |



- NOTES:
- SEE STANDARD PREPARATION AND COATING INSTRUCTIONS FOR COATING PROCEDURE AND COLOR.
 - SEE STANDARD PACKAGING INSTRUCTIONS FOR PACKAGING PROCEDURE.



PEDESTALPRO.COM
1-800-660-3072

UNLESS OTHERWISE SPECIFIED:
DIMENSIONS ARE IN INCHES
TOLERANCES:
FRACTIONAL ± 1/32
ANGULAR: ± 2°
TWO PLACE DECIMAL ± 0.010
THREE PLACE DECIMAL ± 0.005
INTERPRET GEOMETRIC TOLERANCING PER: ASME Y14.5 -2009

| | |
|--|------|
| NAME | DATE |
| DRAWN | |
| CHECKED | |
| PROPRIETARY AND CONFIDENTIAL | |
| THE INFORMATION CONTAINED IN THIS DRAWING IS THE SOLE PROPERTY OF PEDESTALPRO LLC. ANY REPRODUCTION IN PART OR AS A WHOLE WITHOUT THE WRITTEN PERMISSION OF PEDESTALPRO LLC IS PROHIBITED. | |

| | | | | |
|--------------------------------------|--|------------------|---------------------------------|-----------------|
| TITLE: ASSEMBLY | | SIZE A | PART NO. 1216HOU-SWIF-01-304 | REV A |
| Thursday, July 6, 2023 2:46:44 PM | | NO SCALE | | SHEET 2 OF 6 |
| WEIGHT: 18.972 | | | | |