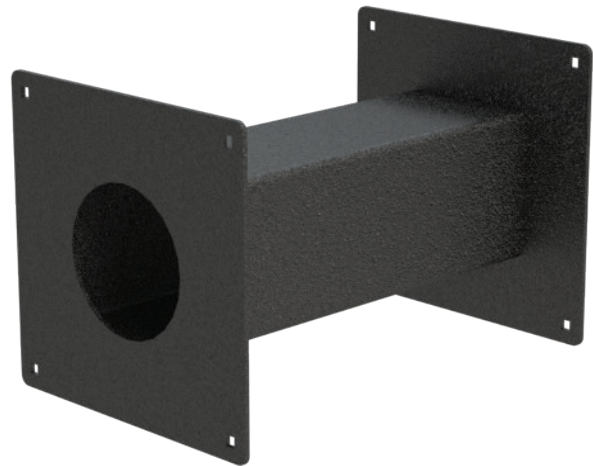


PRODUCT FEATURES

- 12" neck extension for gooseneck pedestals
- Matches pedestals with 4" square tube and 8" square face plates
- Universal design
- Heavy duty materials
- Steel construction
- Black wrinkle powder coating w/ UV protection
- NDAA, Buy American, or USMCA/CUSMA compliant
- Build To Order (BTO)
- Available direct or through distribution

CUSTOM OPTIONS

- Shorten or extend neck reach
- Customize face plates
- Readily available powder coating colors (white, yellow, bronze, gray, silver)
Choose any RAL powder color



DESCRIPTION

Extend the neck of a gooseneck pedestal twelve (12) additional inches to make using access control devices more convenient for vehicle operators.

RECOMMENDED ACCESSORIES

PEDESTAL



HD-100

PEDESTAL



84-4-12

PEDESTAL



84-DSP-4-12-12

HOOD



Hood-CS-14x14

HOUSING



MC-CS-16-E

BUFFER PLATE



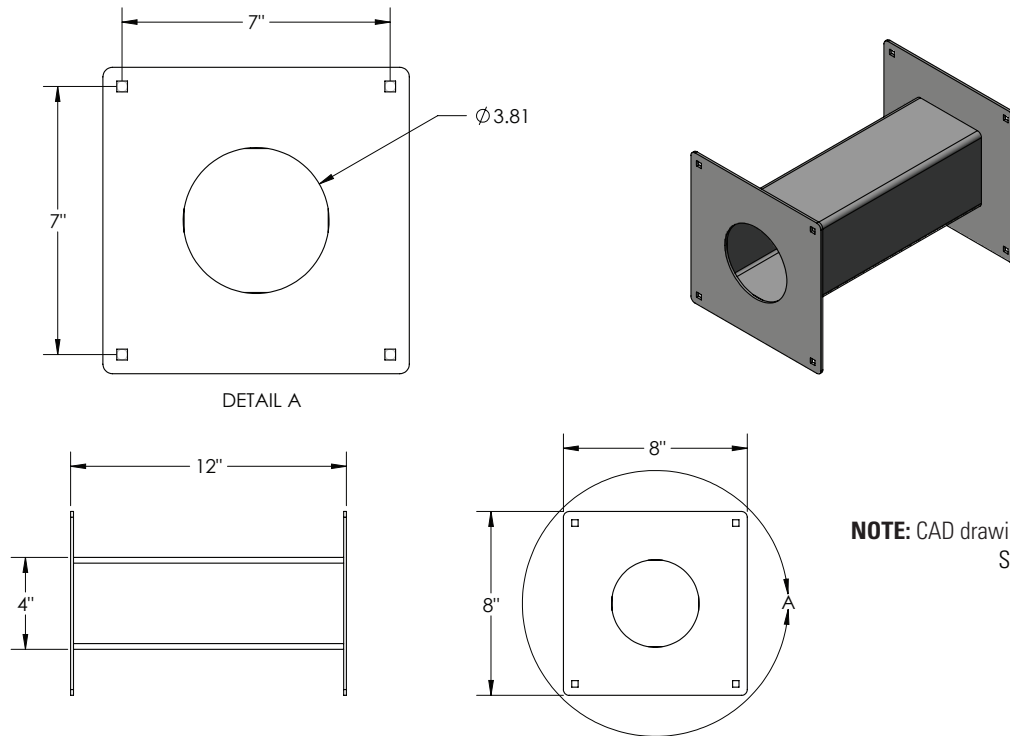
57PLA-PRO-001-HDP

SHIM KIT



Shim-Kit-001

NOTE: Real time inventory levels are viewable for registered users on pedestalpro.com



DATA & SPECS

Product Style	Accessory
Material	Steel
Tube	4" x 4" x .120" wall, steel
Face Plate	.125" (11 gauge)
Base Plate	n/a
Cover Plate	n/a
Mounting Method	n/a
Pretreatment	High pressure/high temperature phosphate wash and rinse
Finish	Black wrinkle powder coating (TGIC outdoor polyester)
UV Protection	Yes
Hardware	1/4-20 carriage bolts and nuts (qty 4 each, zinc plated)
Packaging	Foam wrapped and boxed individually
Package Size	13 x 9 x 9
Weight	15 lbs
Shipping Method	UPS, FedEx, or LTL freight
Compliance	NDAA, Buy American, or USMCA/CUSMA (see website for details)
Warranty	1 year limited (see website for details)
Inventory Status	Build To Order (Fast Track production is available)

SIMILAR PRODUCTS

