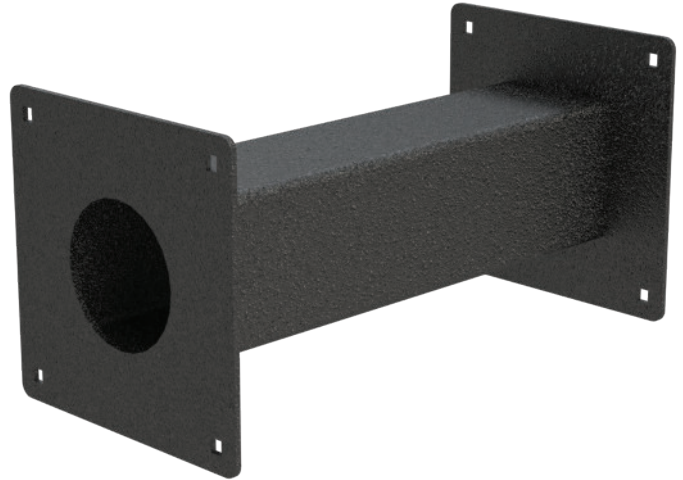


### PRODUCT FEATURES

- 12" neck extension for gooseneck pedestals
- Matches pedestals with 3" square tube and 6" square face plates
- Universal design
- Heavy duty materials
- Steel construction
- Black wrinkle powder coating w/ UV protection
- NDAA, Buy American, or USMCA/CUSMA compliant
- Build To Order (BTO)
- Available direct or through distribution

### CUSTOM OPTIONS

- Shorten or extend neck reach
  - Customize face plates
  - Readily available powder coating colors (white, yellow, bronze, gray, silver)
- Choose any RAL powder color



### DESCRIPTION

Extend the neck of a gooseneck pedestal twelve (12) additional inches to make using access control devices more convenient for vehicle operators.

### RECOMMENDED ACCESSORIES

PEDESTAL



PEDESTAL



PEDESTAL



HOOD



HOUSING



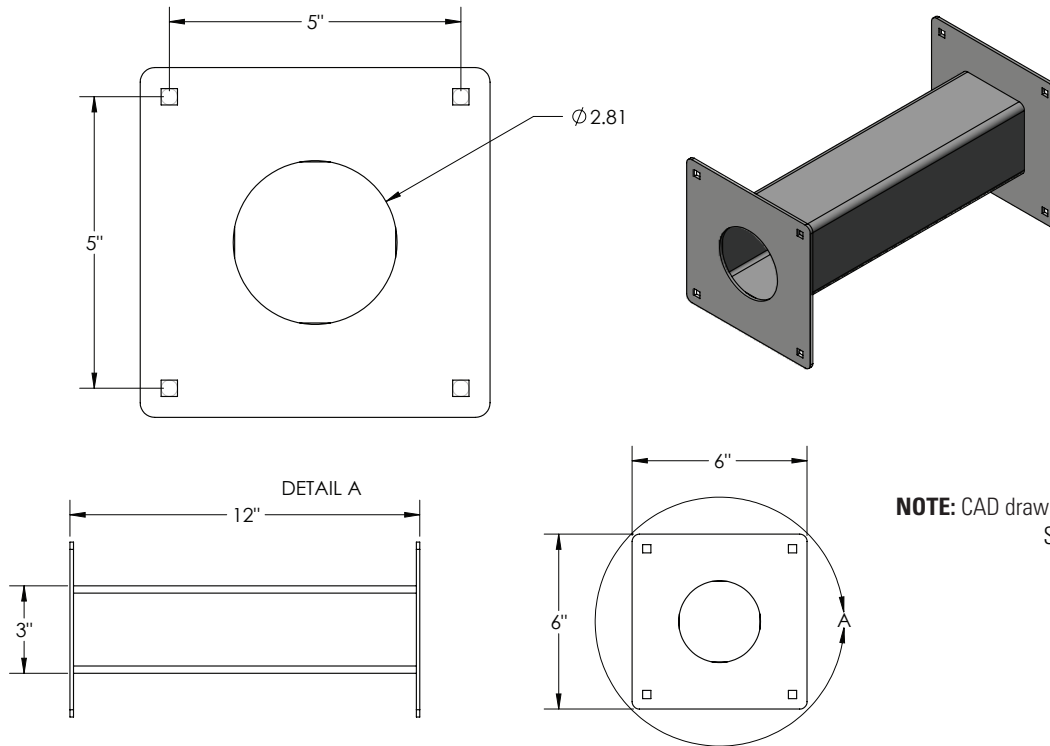
BUFFER PLATE



SHIM KIT



**NOTE:** Real time inventory levels are viewable for registered users on pedestalpro.com



**NOTE:** CAD drawing available online.  
Scan for more detail.



**DATA & SPECS**

Product Style	Accessory
Material	Steel
Tube	3" x 3" x .120" wall, steel
Face Plate	.125" (11 gauge)
Base Plate	n/a
Cover Plate	n/a
Mounting Method	n/a
Pretreatment	High pressure/high temperature phosphate wash and rinse
Finish	Black wrinkle powder coating (TGIC outdoor polyester)
UV Protection	Yes
Hardware	1/4-20 carriage bolts and nuts (qty 4 each, zinc plated)
Packaging	Foam wrapped and boxed individually
Package Size	13 x 6 x 6
Weight	9 lbs
Shipping Method	UPS, FedEx, or LTL freight
Compliance	NDA, Buy American, or USMCA/CUSMA (see website for details)
Warranty	1 year limited (see website for details)
Inventory Status	Build To Order (Fast Track production is available)

**SIMILAR PRODUCTS**

