

### Overview

The EPLT-1M multi-purpose expansion plate can be used to add Mercury controllers, LSP modules, or a Genetec Cloudlink into any LSP Mercury wallmount or rackmount enclosure.

The EPLT-1M mounts into any open MR52 (6 x 8) or VertX slot, is constructed from brushed aluminum and includes all mounting hardware.


### ORDERING

Model No.	Description
EPLT-1M	Multipurpose Expansion Plate for MCLASS

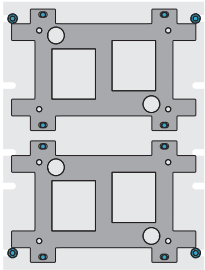


### Flexible Mounting Options

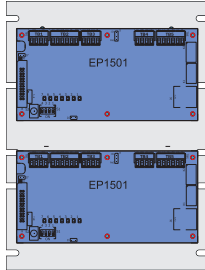
Examples of EPLT-1M usage include mounting two (2) LP1501 modules in place of an MR52 slot in an RGM enclosure, mounting additional MR50 modules into an E8M2 enclosure, mounting a Cloudlink in an E4M or E4V enclosure, or adding additional C8 or D8 modules in place of a Mercury board.



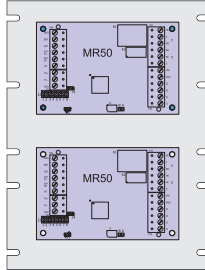
**Mercury board patterns**




(2) LP1501 Bracket



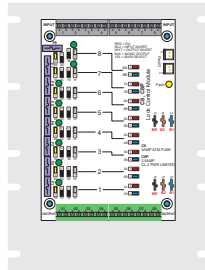
(2) LP1501 PCB



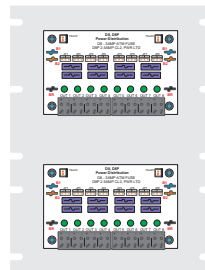
(2) MR50




**LSP Patterns**



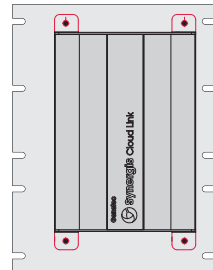
(1) FPO75  
C8, M8  
NLX



(2) NL2, NL4  
C4, D8, F8



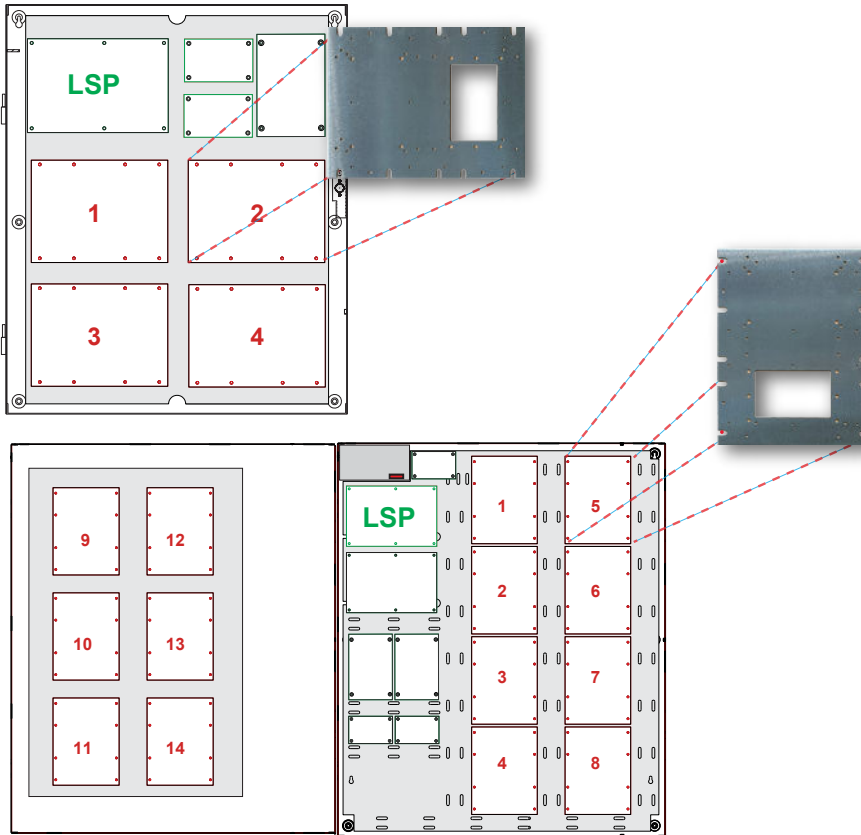
**Genetec**



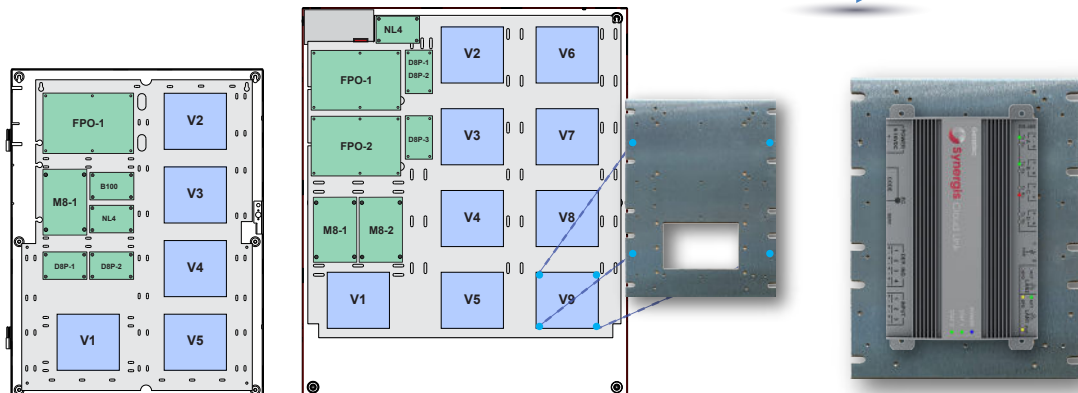
(1) CLOUDLINK

**EXPANSION PLATE MOUNTING AREA**

EPLT-1M installs into the 6x8 slot in any LSP Mercury enclosure



EPLT-1M can also be installed into LSP Vertex enclosures for Cloudlink mounting



**lifesafetypower.com**

(888) 577-2898  
info1@lifesafetypower.com

Specifications subject to change without notice.

© 2022 LifeSafety Power. All rights reserved.

LifeSafety Power and FlexPower are registered trademarks of LifeSafety Power.

Mercury Security is a registered trademark of Mercury Security.

P01-532A 07/22

**LifeSafety Power**

10027 S. 51st Street, Suite 102  
Phoenix, AZ 85044