

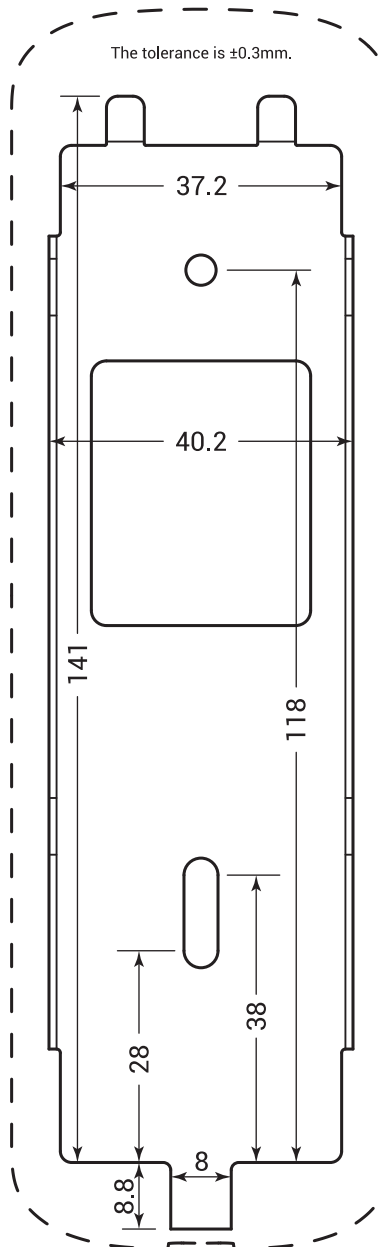
BioEntry P2/R2

1:1 Scale Drilling Template

Template Instruction.

1. Open with Adobe Acrobat Reader.
2. Click **File > Print**.
3. Select **Actual size**.
4. Click **Print**.

DO NOT USE CUSTOM SCALE.



Applicable Model: BEP2-OD, BEP2-OA, BER2-OD

Suprema Inc.

17F Parkview Tower, 248, Jeongjail-ro, Bundang-gu,
Seongnam-si, Gyeonggi-do ZIP: 13554 Republic of Korea
Tel : +82-31-783-4502 E-mail: sales_sys@supremainc.com

©2018 Suprema Inc. Suprema and identifying product names and numbers herein are registered trade marks of Suprema, Inc. All non-Suprema brands and product names are trademarks or registered trademarks of their respective companies. Product appearance, build status and/or specifications are subject to change without notice.