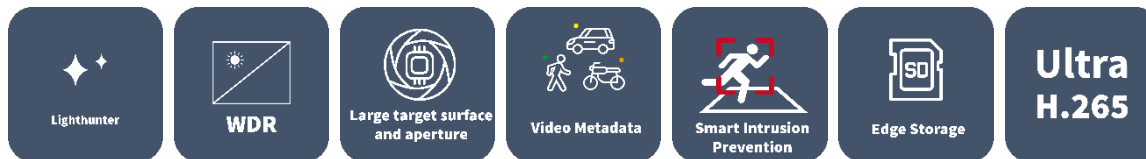


# 8MP+4MP Bi-Channel LightHunter Intelligent Bullet Network Camera

IPC28184EA-ADX5K-F40-I1



## Key Features



- One IP with two channels, combines the details and full view, making target area stand out without losing overall view
- 3840\*2160@30fps in the main stream of detailed channel with ISP algorithm, provide high definition image
- Ultra 265, H.265, H.264, MJPEG
- Built-in dual Mic, efficiently realizes the noise control by noise reduction algorithm
- Two types of illumination light, offer three illumination modes and support sound-light warning
- Detailed channel supports electric control and tilt angle adjustment, easier for installation and debugging
- Switching among three Intelligent functions, suitable for various application scenes
- Mix-traffic detection, support human body, human face, motor vehicle and non-motor vehicle image capture and attribute collection, realize data visualization management, allow users to get target information for further data analysis
- Smart intrusion prevention, support false alarm filtering, realize accurate detection based on specific target
- LightHunter technology ensures ultra-high image quality in low illumination environment
- Audio 2 in and 1 out, Alarm 3 in and 2 out

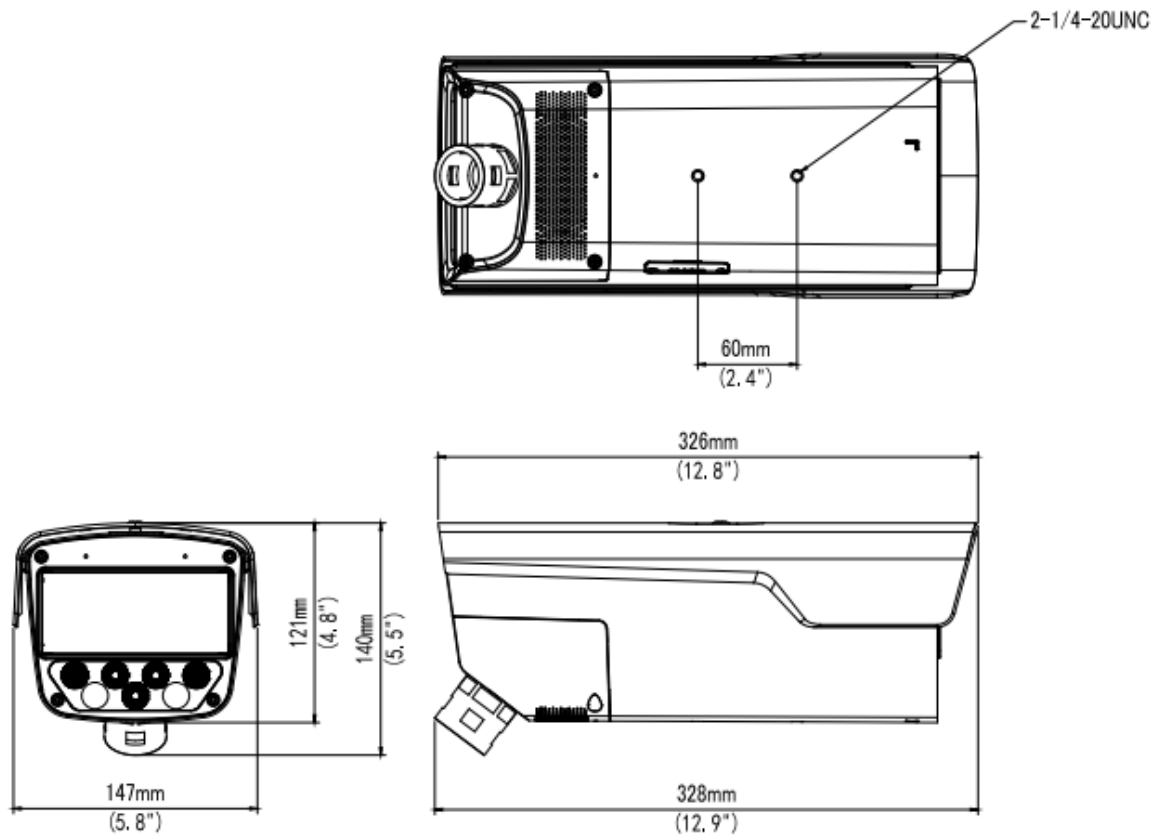
## Specifications

	IPC28184EA-ADX5K-F40-I1				
<b>Camera</b>					
Sensor	Channel 1 : 1/1.8", 4.0 megapixel, progressive scan, CMOS Channel 2 : 1/1.8", 8.0 megapixel, progressive scan, CMOS				
Min. Illumination	Channel 1 : Colour:0.0005lux (F1.0, AGC ON) Channel 2 : Colour:0.005lux (F1.6, AGC ON) 0 lux with IR				
Day/Night	Channel 2 : IR-cut filter with auto switch (ICR)				
Shutter	Auto/Manual, 1 ~ 1/100000s				
Angle Adjustment	Channel 2 : Tilt: -10° to 10° (electric control , for installation and debugging)				
WDR	120dB				
S/N	>56dB				
<b>Lens</b>					
Lens type	Channel 1 : 4mm Channel 2 : 10-50mm @F1.6, AF automatic focusing and motorized zoom lens				
Optical Zoom	Channel 2 : 5X				
Iris	Channel 1 : Fixed aperture Channel 2 : DC-iris				
Field of View (H)	Channel 1 : 94.7° Channel 2 : 33.8°~8.4°				
Field of View (V)	Channel 1 : 50.3° Channel 2 : 18.8°~4.6°				
Field of View (D)	Channel 1 : 116.5° Channel 2 : 39.9°~10.0°				
<b>DORI</b>					
DORI Distance	Lens (mm)	Detect (m)	Observe (m)	Recognize (m)	Identify (m)
	10	292.5 (959.6ft)	117.0 (383.9ft)	58.5 (191.9ft)	29.3 (96.0ft)
	50	1237.5 (4060.0ft)	495.0 (1624.0ft)	247.5 (812.0ft)	123.8 (406.0ft)
	4	79.1(259.6ft)	31.7(103.9ft)	15.8(51.9ft)	7.9(26.0ft)
<b>Illuminator</b>					
Warm Light Distance	Up to 30m (98.43ft)				
IR Range	Up to 50m (164.0ft) IR range				
IR Wavelength	750nm				
IR On/Off Control	Auto/Manual				
<b>Video</b>					
Video Compression	Ultra 265,H.265,H.264,MJPEG				
Frame Rate	Channel 1 : Main Stream: 4MP(2688*1520),Max 30fps; Sub Stream: 2MP (1920*1080), Max 30fps; Third Stream: D1 (720*576), Max 30fps Channel 2 : Main Stream: 8MP(3840*2160),Max 30fps; Sub Stream: 2MP (1920*1080), Max 30fps; Third Stream: D1 (720*576), Max 30fps				
U-code	Support				
ROI	Up to 8 ROIs				
Video stream	Triple streams				
OSD	Up to 8 OSDs				

Privacy Mask	Up to 8 areas(black/mosaic)
<b>Image</b>	
White Balance	Auto/Outdoor/Fine Tune/Sodium Lamp/Locked/Auto2
Digital noise reduction	2D/3D NR
Smart IR	Support
Flip	Normal/Flip Vertical/Flip Horizontal/180°/90°Clockwise/90°Anti-clockwise
HLC	Support
BLC	Support
Defog	Digital Defog
<b>Intelligent (Channel 2 Only)</b>	
Video Metadata	Support collecting the attributes and images of pedestrian, vehicle and non-motor vehicle, offer information for further data analysis
Smart intrusion Prevention	Support false alarm filtering, Cross Line detection, Intrusion detection, Enter Area detection, Leave Area detection
<b>Events</b>	
Basic Detection	Motion detection, Audio detection, Tampering alarm
General Function	Watermark, IP Address Filtering, Alarm input, Alarm output, Access Policy, ARP Protection, RTSP Authentication, User Authentication
<b>Audio</b>	
Audio Compression	G.711U,G.711A
Audio Bitrate	64 Kbps
Two way audio	Support
Suppression	Support
Sampling Rate	8KHz
<b>Storage</b>	
Edge Storage	Micro SD, up to 256 GB
Network Storage	ANR
<b>Network</b>	
Protocols	IPv4,IPv6, IGMP, ICMP, ARP, TCP, UDP, DHCP, PPPoE, RTP, RTSP, RTCP, DNS, DDNS, NTP, FTP, UPnP, HTTP, HTTPS, SMTP, 802.1x, SNMP, QoS, RTMP,SSL/TLS
Compatible Integration	ONVIF (Profile S, Profile G, Profile T), API,SDK
User/Host	Up to 32 users. 3 user levels: administrator, operator and common user
Security	Password protection, strong password, HTTPS encryption, Export operation logs, basic and digest authentication for RTSP, digest authentication for HTTP, TLS 1.2, WSSE and digest authentication for ONVIF
Client	EZStation EZView EZLive
Web Browser	Plug-in required live view: IE 10 and above, Chrome 45 and above, Firefox 52 and above, Edge 79 and above
<b>Interface</b>	
Audio I/O	2/1
Alarm I/O	3/2
Serial Port	1 RS485
Built-in Mic	Support
Built-in Speaker	Support
Network	1 x RJ45 10M/100M/1000M Base-TX Ethernet
<b>Certifications</b>	
EMC	CE-EMC (EN 55032: 2015+A1:2020,EN 61000-3-3: 2013+A1: 2019,EN IEC 61000-3-2: 2019+A1: 2021,EN 55035: 2017+A11:2020) FCC (FCC CFR 47 part15 B, ANSI C63.4-2014)

Safety	CE LVD (EN 62368-1:2014+A11:2017) CB (IEC 62368-1:2014) UL (UL 62368-1, 2nd Ed., Issue Date: 2014-12-01)
Environment	CE-RoHS (2011/65/EU;(EU)2015/863); WEEE (2012/19/EU); Reach (Regulation (EC) No 1907/2006)
Protection	IP66 (IEC 60529:1989+AMD1:1999+AMD2:2013)
<b>General</b>	
Power	AC24V±25%
	Power consumption: Max 31w
Dimensions (∅ x H)	Φ326x147x121mm(Φ12.8"x5.8"x4.8")
Weight	2.11kg
Working Environment	-30°C ~60°C (-22°F ~ 140°F), Humidity: ≤95% RH (non-condensing)
Storage Environment	-40°C ~70°C (-40°F ~ 158°F), Humidity: ≤95% RH (non-condensing)
Surge protection	Support
Reset button	Support

## Dimensions



## Accessories

TR-CM06-IN

Pendant mount



TR-UV06-A-IN

3D Bracket Mount



TR-UP06-IN

Pole Mount



Pendant Mount	Pole Mount
TR-CM06-IN	TR-UV06-A-IN + TR-UP06-IN
Column Mount	
TR-UV06-A-IN/TR-UV06-IN	

**Zhejiang Uniview Technologies Co., Ltd.**

Building No.10, Wanlun Science Park, Jiangling Road 88, Binjiang District, Hangzhou, Zhejiang, China (310051)

Email: [overseasbusiness@uniview.com](mailto:overseasbusiness@uniview.com); [globalsupport@uniview.com](mailto:globalsupport@uniview.com)

<http://www.uniview.com>

©2022 Zhejiang Uniview Technologies Co., Ltd. All rights reserved.

\*Product specifications and availability are subject to change without notice.