

Parking Pro

The parking barrier

mAGNETIC[®]
ACCESS TO PROGRESS



For heavily frequented parking and access control locations

Parking Pro barriers from Magnetic are the ideal solution for parking and access control applications with lanes up to 12 ft. Thanks to their configuration and security settings, Parking Pro barriers are designed for use in heavily frequented facilities in which the movement of persons can be ruled out. Rapid opening times (1.3 s) and the detection of tailgating vehicles ensures reliable processing for users, while low energy consumption, low-maintenance components and simple servicing keeps running costs down permanently.

The barrier arms are optimized for use in parking applications: with the breakaway option, for example, the barrier arm is completely detached in the case of a forced unauthorised passage – and it can be re-attached again without any impairment of function. In addition, visibility can be further increased by means of lighting elements and an expansion set. At the heart of the car park barrier is the innovative MHTM™ drive, characterised by its energy efficiency, lack of maintenance, and long service life – the Parking Pro is designed for 10 million opening and closing cycles.



Professional parking solution

The Parking Pro is the first choice when you need rapid opening times, easy handling, and great reliability. Thanks to their high energy efficiency, extremely long service lives, and simple maintenance, barriers from Magnetic are particularly cost-effective – an investment that will certainly pay off!



Innovative drive technology

The MHTM™ drive unit operates energy-efficiently, quietly, and maintenance-free. Its high torque ensures best possible operation even under extreme weather conditions.



Legal security

Magnetic vehicular lift barriers have always been UL 325 approved. UL 325 ensures that our product guards against entrapment, fire, and electrical shock.



Easy access to components

Two simple steps: control systems and the drive unit are easily reached by removing the top cover and front plate. This increases user-friendliness and accelerates commissioning and service.

MAGNETIC AUTOCONTROL
www.magnetic-access.com/usa

ACCESS

PARKING

TOLL

TRAFFIC

Parking Pro

The parking barrier

- > Reliable detection of tailgating vehicles
- > Low power consumption for economical operation
- > Optimum accessibility for easy maintenance
- > German Design Award 2014 and red dot design award 2012
- > Designed for 10 million opening and closing cycles



Technical data	Parking Pro
Barrier width	max. 12 ft
Opening/closing time	1.3 s
Power consumption	max. 95 W
Drive technology	MHTM™
Voltage	85–264 VAC, 50/60 Hz
Duty cycle	100%
Housing dimensions (W x D x H)	12.4 x 14.2 36.0 in
Enclosure rating	IP 54
Temperature range	-22 to +131° F
Weight	88.2 lb

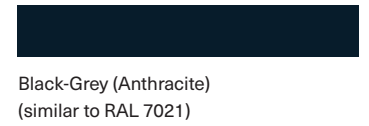
Features	Parking Pro
Standard colors	RAL 2000, 9006, 9007, 9010
VarioBoom barrier arm	Standard
Control system	MGC Pro
Integrated 2-channel detector for induction loops	Standard
Modular expansion of control system	Standard
Variable I/O assignment	Standard
No. of digital inputs	8
No. of relays/digital outputs	6/4
Selectable closing speed	Standard
Selectable opening speed	Standard

Options	Parking Pro
Special colors	✓
Articulated barrier arm	✓
Barrier arm extension set	✓
Support post	✓
Breakaway flange	✓
Barrier arm presence sensor	✓
Barrier arm lock	✓
Barrier arm lighting, red	✓
LED strip, red/green	✓
Warning lights	✓
Hood lights	✓
Key-operated switch	✓
Radio module	✓
Ethernet module	✓
RS485 module	✓
CAN module (counting)	✓
Second detector module	✓
GSM module	✓
Photoelectric safety switch	✓
Battery backup	✓
Heater	✓
Reduced operating angle	✓

Standard barrier colors

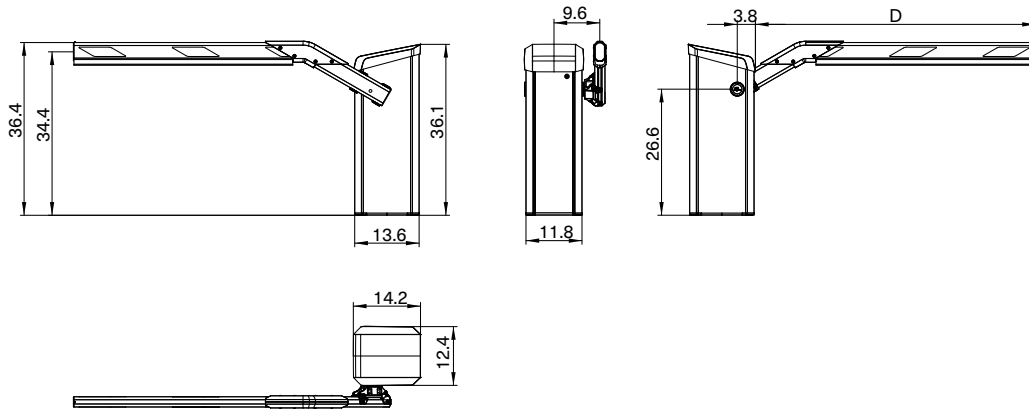


Standard door color

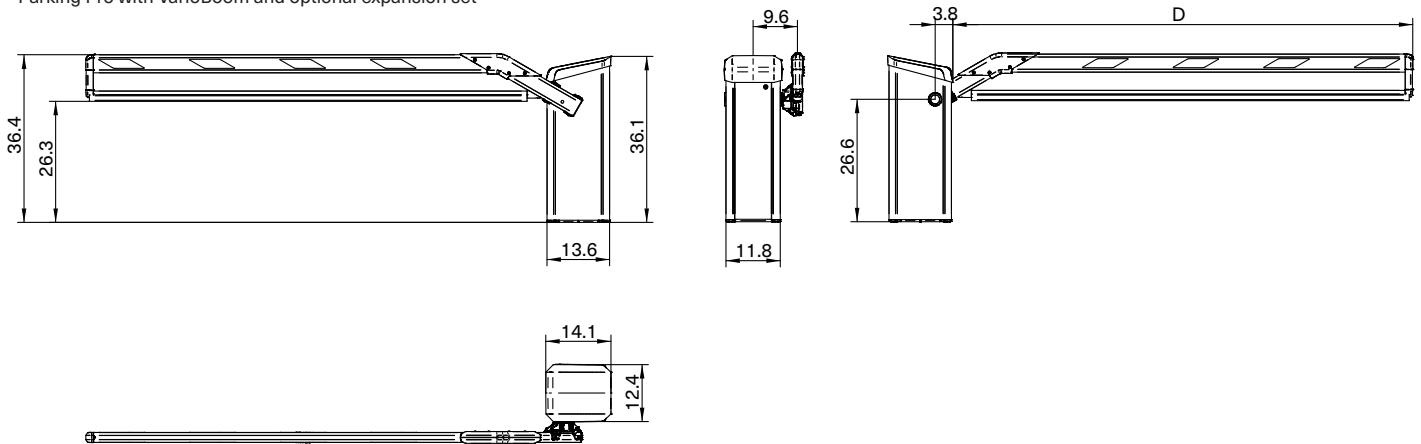


Dimensional drawings

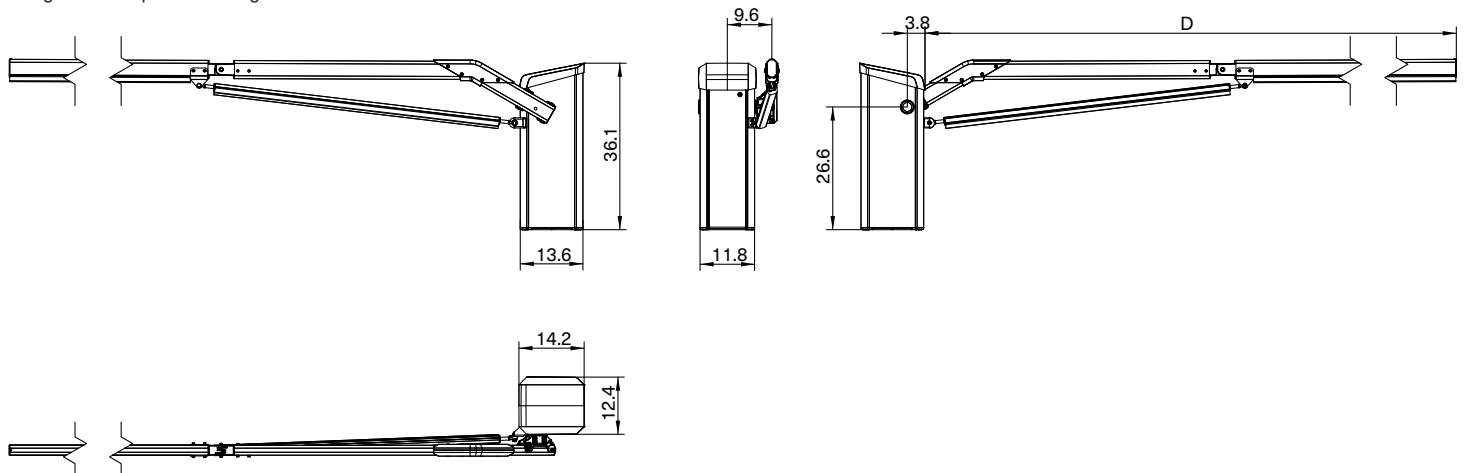
Parking Pro with VarioBoom



Parking Pro with VarioBoom and optional expansion set



Parking Pro with optional folding barrier arm



Access to Progress

Magnetic stands for pioneering products – in every way. Our access control systems for vehicles or pedestrians clear the way for thousands of people every day – at car parks, toll gates, stations, airports and in buildings. Our technology is also pioneering, however: with innovative drives, intelligent control systems and well thought-out details it provides maximum safety and longevity. Are you also on the path to Magnetic?



Vehicle barriers

Access barriers
Parking barriers
Toll barriers
Traffic barriers
Special barriers



Pedestrian gates

Turnstiles
Swing gates
Tripod gates
Retractable gates
Wing gates



Terminals

Cars
Trucks

Germany

MAGNETIC AUTOCONTROL GMBH
Grienmatt 20
79650 Schopfheim
Phone +49 7622 695-5
Fax +49 7622 695-800
E-mail info@magnetic-germany.com

Australia

MAGNETIC AUTOMATION PTY LTD
38 Metrolink Circuit
Campbellfield, VIC 3061
Phone +61 3 9339 2900
E-mail info@magnetic-oz.com

Brazil

MAGNETIC AUTOCONTROL LTDA
Av. Salim Antônio Curiati, 136
04690-050 – São Paulo
Phone +55 11 5660 8500
E-mail info@magnetic-br.com

China

MAGNETIC CONTROL SYSTEMS CO., LTD
No. 3 Building, No. 51
Lane 1159, Kang Qiao (East) Road
Kang Qiao Industrial Zone, Shanghai
Phone +86 21 68182970
E-mail info@magnetic-cn.com

France

FAAC FRANCE
377 Rue Ferdinand Perrier
69808 St Priest Cedex
Phone +33 4 72 21 86 89
E-mail info@magnetic-fr.com

India

MAGNETIC AUTOCONTROL PVT LTD.
PRS Centre
Plot No. 373 to 376, 2nd Floor (West Wing)
1st Cross Street, Nehru Nagar
Old Mahabalipuram Road
Kottivakkam (Opp Rayala Technopark, Perungudi)
Chennai 600041
Phone +91 44 421 23297
E-mail info@magnetic-india.com

Middle East

FAAC MIDDLE EAST FZE
Dubai Silicon Oasis
PO Box 54886
Dubai
United Arab Emirates
Phone +971 4 3724193
E-mail info@magnetic-uae.com

N. and S. America (excl. Brazil)

FAAC INTERNATIONAL, INC
3160 Murell Road
Rockledge, FL 32955
USA
Phone +1 321 635 8585
E-mail info@magnetic-usa.com

Scandinavia

FAAC NORDIC AB
Box 125
284 22 Perstorp
Sweden
Phone +46 435 77 95 03
E-mail info@magnetic-nordic.com

Southeast Asia

MAGNETIC CONTROL SYSTEMS SDN. BHD
No. 17, Jalan Anggerik Mokara 31/54
Taman Perindustrian Kota Kemuning
40460 Shah Alam
Selangor Darul Ehsan
Malaysia
Phone +60 3 5123 0033
E-mail info@magnetic-malaysia.com