



fire rated



UL 325



low energy



push pull



24 VDC



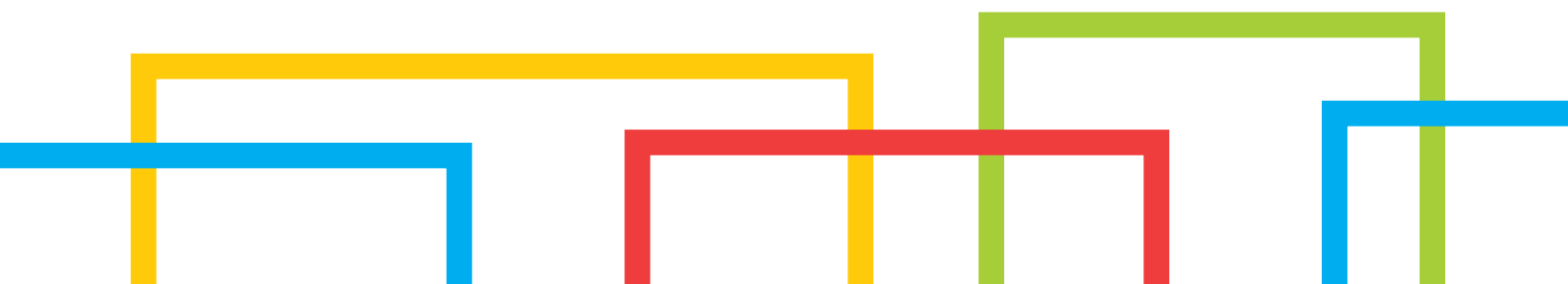
ADA

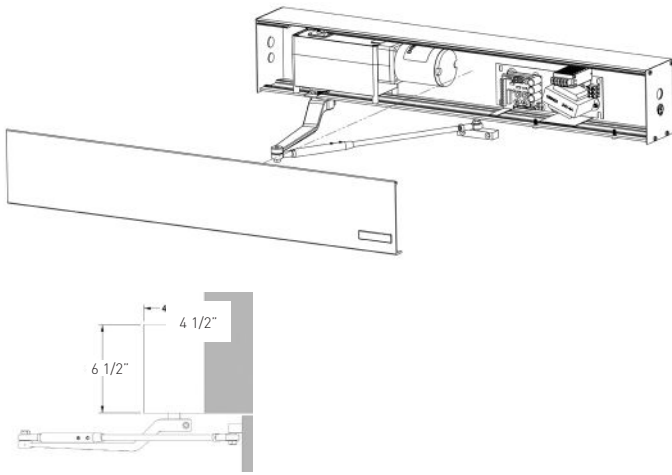
## Ditec HA8-SP

### Standard Profile - Low Energy Operator

**INSTALLED IN:**

Hospitals - Retail Stores - Schools & Universities - Airports  
Convention Centers - Casinos - Industrial Buildings - Offices





HA8-SP Profile

**QUALITY HEAVY DUTY COMMERCIAL CONSTRUCTION**

High precision gears made for sustained long-term use  
 Electro Mechanical Design – for simple dependable operation  
 Permanent lubrication – maintenance free  
 Cast Alloy Gear Box  
 1/8th HP motor  
 Digital Control Board

**ADVANCED TECHNOLOGY**

On-board programming  
 Built in strike/mag lock relay – fail safe or fail secure  
 Separate inputs for activation and safety devices  
 Plug-n-Play design for fast trouble free installation  
 Compatible with most safety and activation devices  
 Integrates with building access & security systems  
 Adjustable spring tension overcomes high wind and stack pressures  
 One-way clutch – allows for easy manual door operation

**POWERFUL AND QUIET, YET FORGIVING**

XP Spring available for extra closing force  
 Concealed Adjustable Door Stop – eliminates external door stops  
 Ultra Quiet operation – noise free in both automatic and manual modes

**DURABLE**

Built to outlast the competition  
 Perfect for high traffic locations

**VERSATILE INSTALLATION COMBINATIONS**

Concealed (Hinge Hung, Offset Pivoted or Center Pivoted)  
 Surface Mounted Push or Pull  
 Dual or Double Egress  
 Side or Bottom Loading  
 Header length can be modified in the field

**STANDARD PROFILE OPERATOR**

Drive Train Gear Box	Cast Aluminum-Closed Gearbox
Single and Dual Digital Control Box	Single HA-8 w/Data, 24 VDC, 3 AMP
Operating Voltage (Standard)	115VAC
Magnetic Limit Switches	Yes
Gear Grease	High Wear Protection
Motor	1/8th HP
Opening/Closing Force	Adjustable 5 to 30 lbs.
Arm Connection	1" Solid Spline Spindle
Adjustable Stop	Yes
Operator Switch	On-Off-Hold Open
Adjustable Spring Tension	Yes
Mechanical Clutch	Standard
Header Finish (Standard)	Clear, Dark Bronze, Extruded Aluminum
Header Finish (Optional)	Paint, Special Anodized Colors, Clad
Push or Pull Application	Yes
Easy Manual Operation	Yes
XP Spring	Optional
Surface Mounting	Yes
Concealed Mounting	Center Pivot, Hinge, or Offset Pivots
Bottom Loading	Optional
Push Reveal	0" to 14"
Pull Reveal	0" to 4"
Special Push & Pull Reveals	Call Manufacturer
Push And Go	Optional
Electric Strike Output Power	24 VDC
Fire Door Compatibility	UL10C Approved
Circuit Protection	3 amp Fuse
Total Weight w/ 39" Header	45 lbs.
Meets ANSI 156.19	Yes

Technical data subject to change without notice.

**Entrematic USA Inc.**

1900 Airport Rd., Monroe, NC 28110  
 Tel: 704-290-0980  
 Fax: 704-919-5014  
 Toll Free: 866-901-4284  
 www.ditecentrematic.us

**Entrematic Canada Inc.**

221A Racco Pkwy, Vaughan, ON L4J 8X9  
 Tel: 416-674-8880  
 Fax: 416-674-8882  
 Toll Free: 877-348-6837  
 www.ditecentrematic.ca



Member  
**AAADM** American Association of  
 Automatic Door Manufacturers



Entrematic, Amarr, Kelley, Serco, Normstahl, Dynaco, Ditec and EM, as words and logotypes, are examples of trademarks owned by Entrematic Group AB or companies within the Entrematic Group

**Distributed By:**