



Entrematic USA Swing Door Products Price List

List Pricing effective October 1, 2022 (Rev 1)

This price list supersedes and cancels all previous price lists. Prices shown are subject to change without notice. Login to the distributor area for most current revision.

Entrematic USA Inc.

4324 Phil Hargett Rd.
Monroe, NC 28110
Main: 704-290-0980
Toll Free: 1 866-901-4284
Fax: 704-919-5014
www.recorddoors.com

Blue Houser
Vice President, Business Operations
Cell: 803-804-3768
blue.houser@recorddoors.com

Mary Schlegel
Project/ERP Manager
Cell: 412-584-7834
mary.schlegel@recorddoors.com

Missy Laney
Senior Account Manager
Phone: 704-290-0980
missy.laney@recorddoors.com

Dan Wise
Tech Support
Phone: 833-921-1337
dan.wise@recorddoors.com

Kristina McClain
Marketing Manager
Direct: 704-290-5541
kristina.mcclain@recorddoors.com

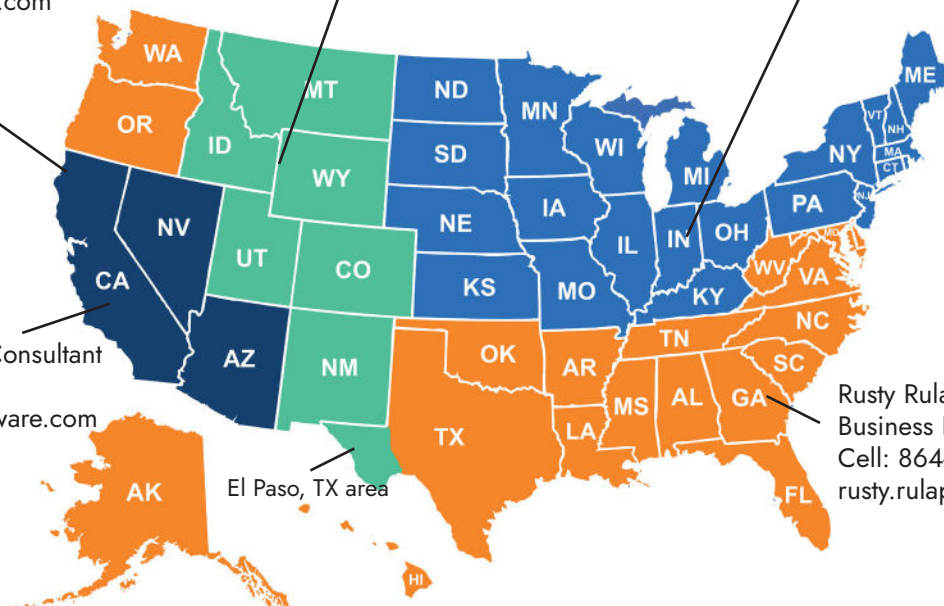
Cherise Gallegos (Northern CA & Northern NV)
Security Solutions Representatives
Manufacturer's Rep
Cell: 916-996-4434
cherise.gallegos@gmail.com

Steele-Brez & Associates
Manufacturer's Rep & Consultant
800-321-7233
darlene@steele-brez.com

Liam Lehn
Business Development Manager
Cell: 330-360-2601
liam.lehn@recorddoors.com

Mark Ferraro
Security Hardware, Inc.
Manufacturer's Rep & Consultant
Cell: 714-920-6440
mferraro@securityhardware.com

Rusty Rulapaugh
Business Development Manager
Cell: 864-640-2651
rusty.rulapaugh@recorddoors.com



Holiday Schedule

Entrematic USA will be CLOSED on the following dates:

2022

New Year's Day (observed) - January 3
President's Day - February 21
Memorial Day - May 30
Independence Day - July 4
Labor Day - September 5
Thanksgiving Day - November 24
Day After Thanksgiving - November 25
Christmas (observed) - December 26

Do you have access to the Distributor Area?

Download current price lists, brochures and product images from our secure distributor area at www.recorddoors.com.

Email info.ditec.us@recorddoors.com for access.

Shipping Information

Standard Shipping

- Standard orders will ship in 3-5 business days
- Place \$10,000 minimum order to receive FREE freight (on swing products only)
- \$15 drop ship fee



Quick Ship Program

- Items listed in bold qualify for *Quick Ship*
- \$15 drop ship fee
- Orders placed by 11:00am EST will ship same day; orders placed after 11 will ship next day
- FREE ground freight
- 25% is added to list price for *Quick Ship* items
- We reserve the right to limit quantities
- \$15 drop ship fee applies
- No changes or cancellations can be accepted
- Quoted projects do not qualify for *Quick Ship* program

Warranty



Entrematic USA Inc. Warrants to the original purchaser of this Entrematic USA Inc. automatic door (swing door operator or slider), that the company will repair or exchange, at its option, any part of the door operator that fails by reason of defective material or workmanship as follows:

HA8-SP, HA8-LP, HA9

- 0-24 months from the date of door operator purchase: Repair or replace parts. Excludes wear parts.
- 25-36 months from the date of door operator purchase: Parts replaced at 50% of cost, excluding wear parts.
- Repair or Replacement parts sold individually (not with a door operator) will be repaired or replaced for 12 months after date of purchase.

HA7

- 0-18 months from the date of door operator purchase: Repair or replace parts. Excludes wear parts.

Sliding Door packages

- 0-24 months from the date of substantial completion: Repair or replace parts. Excludes wear parts.

The extent of our liability for breach of such warranty, when such is shown to our satisfaction, shall be limited to a functionally equivalent replacement, or repair of such product, or part thereof, at Entrematic USA Inc. sole discretion, when returned, delivery prepaid, to **Entrematic USA Inc.** We shall not, except to the extent this limitation may be precluded by law, be liable for inconvenience, labor costs, shipping costs, damages to other property, injury or any other consequential damages resulting directly or indirectly from any product defect or breach of this warranty. This warranty is limited to the original End User Purchaser (distributor), is not transferable and shall not apply to maintenance, wear and tear caused by normal use, altered product, abuse or neglect.

To obtain warranty service, you must promptly notify the authorized **Entrematic USA Inc. authorized dealer** from whom the equipment was purchased, within the warranty period to receive an RMA number.

- Please ensure the RMA number appears on the return shipment label and is legible.
- Return the authorized merchandise within sixty (60) days from the date of RMA issuance date.
- Return shipments must be freight prepaid to the location specified on the RMA. Entrematic USA Inc. is not liable damages to product during shipping.
- Replacement product will be invoiced at normal replacement parts cost and will be credited back after receipt of RMA.
- Warranty will only be honored if your account is in good standing.

No credit may be taken or issued prior to RMA approval and receipt of product. All defective goods within the terms of our limited warranty may be returned for credit or replacement.

This warranty does not cover:

Malfunction of damage to door operator parts caused by accident, misuse, improper wiring, abuse or lack of proper maintenance, neglect, improper adjustment, modification, alteration, the structural condition of your building, overloading, failure to follow the door operator operating instructions, riot, or acts of God (i.e. weather, lightning, flood, etc.).

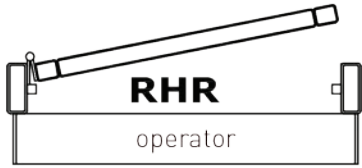
Sensors, push plates and other accessories built by other manufacturers.

This warranty is void if:

Door operator has been installed or maintained by someone other than an authorized **Entrematic USA Inc.** dealer. Door operator has been modified or altered in any respect from its original design without written authorization by **Entrematic USA Inc.**

Swing Door Operator Handing Terminology Chart

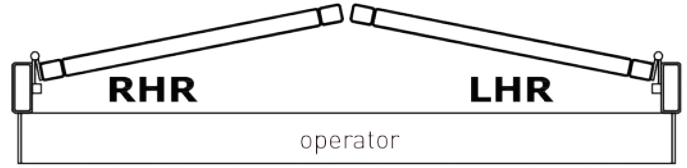
Note: Operator Handing Terminology is universal for all types of door pivot rotation. Door can be Butt Hung as shown; Continuous Hinge; Offset Pivot or Overhead Concealed Center Pivot.



RHR
LEFT HAND PUSH ARM
(OUTSWING)



LHR
RIGHT HAND PUSH ARM
(OUTSWING)



RHR **LHR**
DUAL (PAIR) PUSH ARM
(OUTSWING)



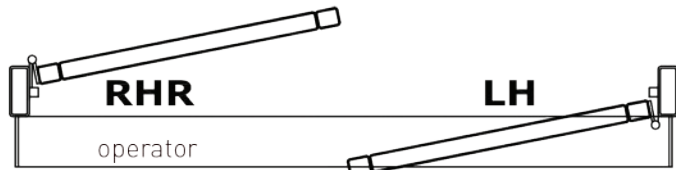
RH
RIGHT HAND PULL TRACK
(INSWING)



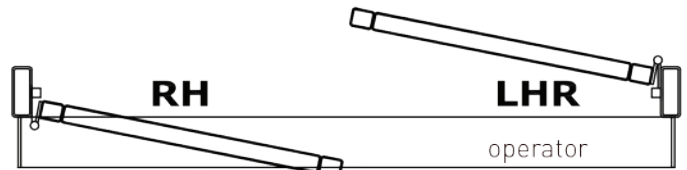
LH
LEFT HAND PULL TRACK
(INSWING)



RH **LH**
DUAL (PAIR) PULL TRACK
(INSWING)



RHR **LH**
LEFT HAND
DUAL (DOUBLE) EGRESS



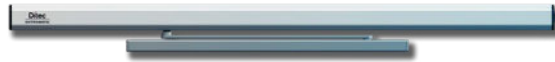
RH **LHR**
RIGHT HAND
DUAL (DOUBLE) EGRESS

Header Sizing Guidelines

Header Size	Door Width
39"	36" Single
45"	42" Single
51"	48" Single
75"	36" Pair
87"	42" Pair
99"	48" Pair

Low Energy HA7 Series Door Operators

(Note: Errors, omissions, product, and price changes are subject to correction without notice.)



Surface Mounted

Part #	Application	Finish	List Price
HA7-100	Single, 39" header, push & pull combo	Clear	\$3,384.00
HA7-200	Single, 39" header, push & pull combo	Dark Bronze	\$3,384.00
Accessories			
W7-330000831BK	Push arm shaft extension 20mm/35mm kit	Black	\$59.00
W7-330000832BK	Pull arm shaft extension 28mm/43mm kit	Black	\$59.00
W7-1021003	Power box with adapter; <i>supports wall mounted/flush mounted options</i> box: 12" x 8" x 4" box cover: 13.5" x 9.5"	n/a	\$485.00

Low Energy HA9 Series Door Operators

(Note: Errors, omissions, product, and price changes are subject to correction without notice.)



Surface Mounted

Unit	Application	Finish	List Price
HA9 (single, 39", 45" or 51")	Push or Pull	Clear or Bronze	\$3,996.00
HA9 (dual 75")	Push or Pull, Fits pair of 36" doors	Clear or Bronze	\$7,989.00
HA9 (dual 87")	Push or Pull, Fits pair of 42" doors	Clear or Bronze	\$7,989.00
HA9 (dual 99")	Push or Pull, Fits pair of 48" doors	Clear or Bronze	\$7,989.00
Factory Installed Upgrades			
	Dual Egress Feature	Add	\$492.00
	Safety Auxiliary Board	Add	\$377.00
	Program Selector, 2 position, PSK-2	Add	\$117.00
	Program Selector, 4 position w/ key PS-4C	Add	\$117.00
	Battery backup	Add	\$520.00
	Spindle extension (W8-865)	Add	\$109.00
	Reveal Spacer Extrusion-Black (1 9/16" x 2 3/8")	Add	\$41.00
	Reveal Spacer Extrusion-Silver (1 9/16" x 2 3/8")	Add	\$41.00
	Tuxedo Black finish for single units (39", 45" or 51")	Add	\$666.00
	Tuxedo Black finish for dual units (75")	Add	\$1,369.00

Notes:

·Upgrade prices reflect a single motor/gearbox (except Dual Egress). Estimate cost accordingly.

·Items in bold qualify for Quick Ship

Part Numbers for Standard Units (Available for Quick Ship)

Part #	Application	Finish	Size	List Price	Part #	Application	Finish	Size	List Price
HA9-102-39	Pull	Clear (CL)	39"	\$3,996.00	HA9-101-39	Push	Clear (CL)	39"	\$3,996.00
HA9-106-39	Pull	Bronze (BZ)	39"	\$3,996.00	HA9-105-39	Push	Bronze (BZ)	39"	\$3,996.00
HA9-102-45	Pull	Clear (CL)	45"	\$3,996.00	HA9-101-45	Push	Clear (CL)	45"	\$3,996.00
HA9-106-45	Pull	Bronze (BZ)	45"	\$3,996.00	HA9-105-45	Push	Bronze (BZ)	45"	\$3,996.00
HA9-102-51	Pull	Clear (CL)	51"	\$3,996.00	HA9-101-51	Push	Clear (CL)	51"	\$3,996.00
HA9-106-51	Pull	Bronze (BZ)	51"	\$3,996.00	HA9-105-51	Push	Bronze (BZ)	51"	\$3,996.00
HA9-102-75	Pair Pull	Clear (CL)	75"	\$7,989.00	HA9-101-75	Pair Push	Clear (CL)	75"	\$7,989.00
HA9-106-75	Pair Pull	Bronze (BZ)	75"	\$7,989.00	HA9-105-75	Pair Push	Bronze (BZ)	75"	\$7,989.00

Low Energy HA8-SP Series Door Operators

(Note: Errors, omissions, product, and price changes are subject to correction without notice.)



Surface Mounted

Unit	Application	Finish	List Price
HA8-SP (single, 39", 45" or 51")	Push or Pull	Clear or Bronze	\$4,075.00
HA8-SP (single, 39", 45" or 51")	Bottom Load	Clear or Bronze	\$4,259.00
HA8-SP (dual 75")	Push or Pull, Fits pair of 36" doors	Clear or Bronze	\$8,148.00
HA8-SP (dual 75")	Bottom Load, Fits pair of 36" doors	Clear or Bronze	\$8,871.00
HA8-SP (dual 87")	Push or Pull, Fits pair of 42" doors	Clear or Bronze	\$8,148.00
HA8-SP (dual 87")	Bottom Load, Fits pair of 42" doors	Clear or Bronze	\$8,871.00
HA8-SP (dual 99")	Push or Pull, Fits pair of 48" doors	Clear or Bronze	\$8,148.00
HA8-SP (dual 99")	Bottom Load, Fits pair of 48" doors	Clear or Bronze	\$8,871.00
Factory Installed Upgrades			
	Push and Go	Add	\$575.00
	Dual Egress Feature	Add	\$392.00
	Extended Spindle Shaft – 9-3/4"	Add	\$308.00
	HA Digital Control with monitoring	Add	\$174.00

Notes:

· Upgrade prices reflect a single motor/gearbox (except Dual Egress). Estimate cost accordingly.

· Items in bold qualify for Quick Ship

Part Numbers for Standard Units (Available for Quick Ship)

Part #	Application	Finish	Size	List Price	Part #	Application	Finish	Size	List Price
W9-103-39	Right Hand Push	Clear (CL)	39"	\$4,075.00	W9-104-39	Right Hand Pull	Clear (CL)	39"	\$4,075.00
W9-107-39	Right Hand Push	Bronze (BZ)	39"	\$4,075.00	W9-108-39	Right Hand Pull	Bronze (BZ)	39"	\$4,075.00
W9-103-45	Right Hand Push	Clear (CL)	45"	\$4,075.00	W9-104-45	Right Hand Pull	Clear (CL)	45"	\$4,075.00
W9-107-45	Right Hand Push	Bronze (BZ)	45"	\$4,075.00	W9-108-45	Right Hand Pull	Bronze (BZ)	45"	\$4,075.00
W9-103-51	Right Hand Push	Clear (CL)	51"	\$4,075.00	W9-104-51	Right Hand Pull	Clear (CL)	51"	\$4,075.00
W9-107-51	Right Hand Push	Bronze (BZ)	51"	\$4,075.00	W9-108-51	Right Hand Pull	Bronze (BZ)	51"	\$4,075.00
W9-101-39	Left Hand Push	Clear (CL)	39"	\$4,075.00	W9-102-39	Left Hand Pull	Clear (CL)	39"	\$4,075.00
W9-105-39	Left Hand Push	Bronze (BZ)	39"	\$4,075.00	W9-106-39	Left Hand Pull	Bronze (BZ)	39"	\$4,075.00
W9-101-45	Left Hand Push	Clear (CL)	45"	\$4,075.00	W9-102-45	Left Hand Pull	Clear (CL)	45"	\$4,075.00
W9-105-45	Left Hand Push	Bronze (BZ)	45"	\$4,075.00	W9-106-45	Left Hand Pull	Bronze (BZ)	45"	\$4,075.00
W9-101-51	Left Hand Push	Clear (CL)	51"	\$4,075.00	W9-102-51	Left Hand Pull	Clear (CL)	51"	\$4,075.00
W9-105-51	Left Hand Push	Bronze (BZ)	51"	\$4,075.00	W9-106-51	Left Hand Pull	Bronze (BZ)	51"	\$4,075.00
W9-111-75	Pair Doors Push	Clear (CL)	75"	\$8,148.00	W9-113-75	Pair Doors Pull	Clear (CL)	75"	\$8,148.00
W9-112-75	Pair Doors Push	Bronze (BZ)	75"	\$8,148.00	W9-114-75	Pair Doors Pull	Bronze (BZ)	75"	\$8,148.00

Low Energy HA8-LP Series Door Operators



Surface Mounted

Unit	Application	Finish	List Price
HA8-LP (single, 39", 45" or 51")	Push or Pull	Clear or Bronze	\$3,778.00
HA8-LP (single, 39", 45" or 51")	Universal Arm with extended pull track	Clear or Bronze	\$3,980.00
HA8-LP (dual 75")	Push or Pull, Fits pair of 36" doors	Clear or Bronze	\$7,550.00
HA8-LP (dual 75")	Universal Arm, Fits pair of 36" doors	Clear or Bronze	\$7,911.00
HA8-LP (dual 87")	Push or Pull, Fits pair of 42" doors	Clear or Bronze	\$7,550.00
HA8-LP (dual 87")	Universal Arm, Fits pair of 42" doors	Clear or Bronze	\$7,911.00
HA8-LP (dual 99")	Push or Pull, Fits pair of 48" doors	Clear or Bronze	\$7,550.00
HA8-LP (dual 99")	Universal Arm, Fits pair of 48" doors	Clear or Bronze	\$7,911.00
Factory Installed Upgrades			
	Push and Go		Add \$592.00
	Dual Egress Feature		Add \$404.00
	HA Digital Control with monitoring		Add \$180.00
	Extended Spindle Shaft – 9-3/4"		Add \$317.00
	Tuxedo Black finish for single units (39", 45" or 51")		Add \$666.00
	Tuxedo Black finish for dual units (75")		Add \$1,369.00

Notes:

· Upgrade prices reflect a single motor/gearbox (except Dual Egress). Estimate cost accordingly.

· Items in bold qualify for Quick Ship.

Part Numbers for Standard Units (Available for Quick Ship)

Part #	Application	Finish	Size	List Price	Part #	Application	Finish	Size	List Price
WL-102-39	Left Hand Pull	Clear (CL)	39"	\$3,778.00	WL-101-39	Push	Clear (CL)	39"	\$3,778.00
WL-106-39	Left Hand Pull	Bronze (BZ)	39"	\$3,778.00	WL-105-39	Push	Bronze (BZ)	39"	\$3,778.00
WL-102-45	Left Hand Pull	Clear (CL)	45"	\$3,778.00	WL-101-45	Push	Clear (CL)	45"	\$3,778.00
WL-106-45	Left Hand Pull	Bronze (BZ)	45"	\$3,778.00	WL-105-45	Push	Bronze (BZ)	45"	\$3,778.00
WL-102-51	Left Hand Pull	Clear (CL)	51"	\$3,778.00	WL-101-51	Push	Clear (CL)	51"	\$3,778.00
WL-106-51	Left Hand Pull	Bronze (BZ)	51"	\$3,778.00	WL-105-51	Push	Bronze (BZ)	51"	\$3,778.00
WL-104-39	Right Hand Pull	Clear (CL)	39"	\$3,778.00	WL-101-75	Pair Doors Push	Clear (CL)	75"	\$7,550.00
WL-108-39	Right Hand Pull	Bronze (BZ)	39"	\$3,778.00	WL-105-75	Pair Doors Push	Bronze (BZ)	75"	\$7,550.00
WL-104-45	Right Hand Pull	Clear (CL)	45"	\$3,778.00	WL-104-75	Pair Doors Pull	Clear (CL)	75"	\$7,550.00
WL-108-45	Right Hand Pull	Bronze (BZ)	45"	\$3,778.00	WL-108-75	Pair Doors Pull	Bronze (BZ)	75"	\$7,550.00
WL-104-51	Right Hand Pull	Clear (CL)	51"	\$3,778.00					
WL-108-51	Right Hand Pull	Bronze (BZ)	51"	\$3,778.00					

EZ36 Kits - Automate a 36" Door in One Box



EZ36 Door Operator Kit

Kit Includes: (1) HA8-LP or HA9 operator, (2) square 4.5" push plates, (2) surface mount boxes, (2) 900 MHz transmitters and (1) 900 MHz receiver

Part No.	Operator	Application	Finish	List Price
W9-200	HA8-LP	Push	Clear	\$5,298.00
W9-205	HA8-LP	Pull (left hand)	Clear	\$5,298.00
W9-210	HA8-LP	Pull (right hand)	Clear	\$5,298.00
W9-215	HA8-LP	Universal	Clear	\$5,436.00
W9-220	HA8-LP	Push	Dark Bronze	\$5,298.00
W9-225	HA8-LP	Pull (left hand)	Dark Bronze	\$5,298.00
W9-230	HA8-LP	Pull (right hand)	Dark Bronze	\$5,298.00
W9-235	HA8-LP	Universal	Dark Bronze	\$5,436.00
HA9-202CLR	HA9	Push	Clear	\$5,329.00
HA9-201CLR	HA9	Pull	Clear	\$5,329.00
HA9-202BRZ	HA9	Push	Dark Bronze	\$5,329.00
HA9-201BRZ	HA9	Pull	Dark Bronze	\$5,329.00

Notes:

- Items in bold qualify for Quick Ship.
- Call to order any EZ36 in Tuxedo Black finish. Add \$666 to list price.
- Push plates also available in blue with "push to open" text by request.

Full Energy FA8-SP Series Door Operators

(Note: Errors, omissions, product, and price changes are subject to correction without notice.)

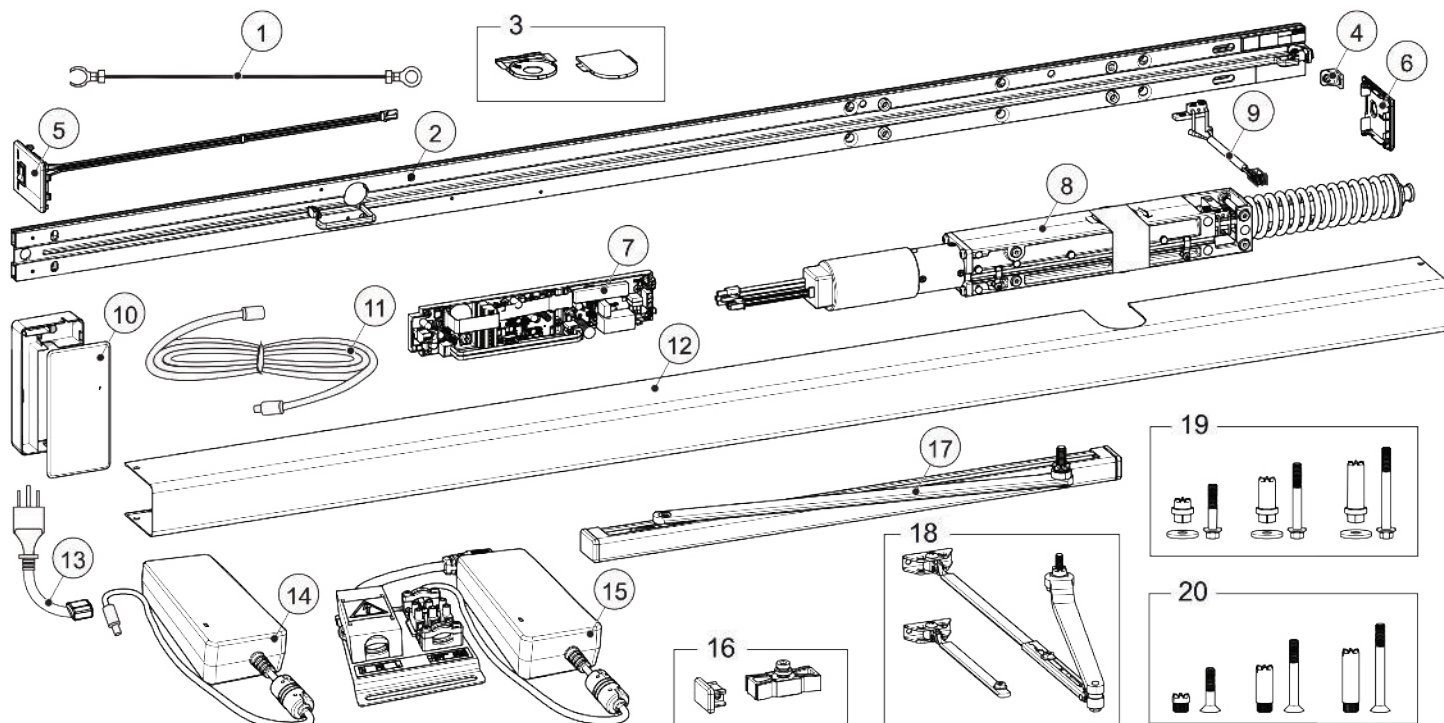


Surface Mounted

Unit	Application	Finish	List Price
FA8-SP (single, 39", 45" or 51")	Push or Pull	Clear or Bronze	\$4,517.00
FA8-SP (single, 39", 45" or 51")	Bottom Load	Clear or Bronze	\$4,704.00
FA8-SP (dual 75")	Push or Pull, Fits pair of 36" doors	Clear or Bronze	\$9,636.00
FA8-SP (dual 75")	Bottom Load, Fits pair of 36" doors	Clear or Bronze	\$9,405.00
FA8-SP (dual 87")	Push or Pull, Fits pair of 42" doors	Clear or Bronze	\$9,636.00
FA8-SP (dual 87")	Bottom Load, Fits pair of 42" doors	Clear or Bronze	\$9,405.00
FA8-SP (dual 99")	Push or Pull, Fits pair of 48" doors	Clear or Bronze	\$9,636.00
FA8-SP (dual 99")	Bottom Load, Fits pair of 48" doors	Clear or Bronze	\$9,405.00
Factory Installed Upgrades			
	Dual Egress Feature	Add	\$413.00
	Extended Spindle Shaft – 9-3/4"	Add	\$325.00

**Upgrade prices reflect a single motor/gearbox (except Dual Egress).
Estimate cost accordingly.*

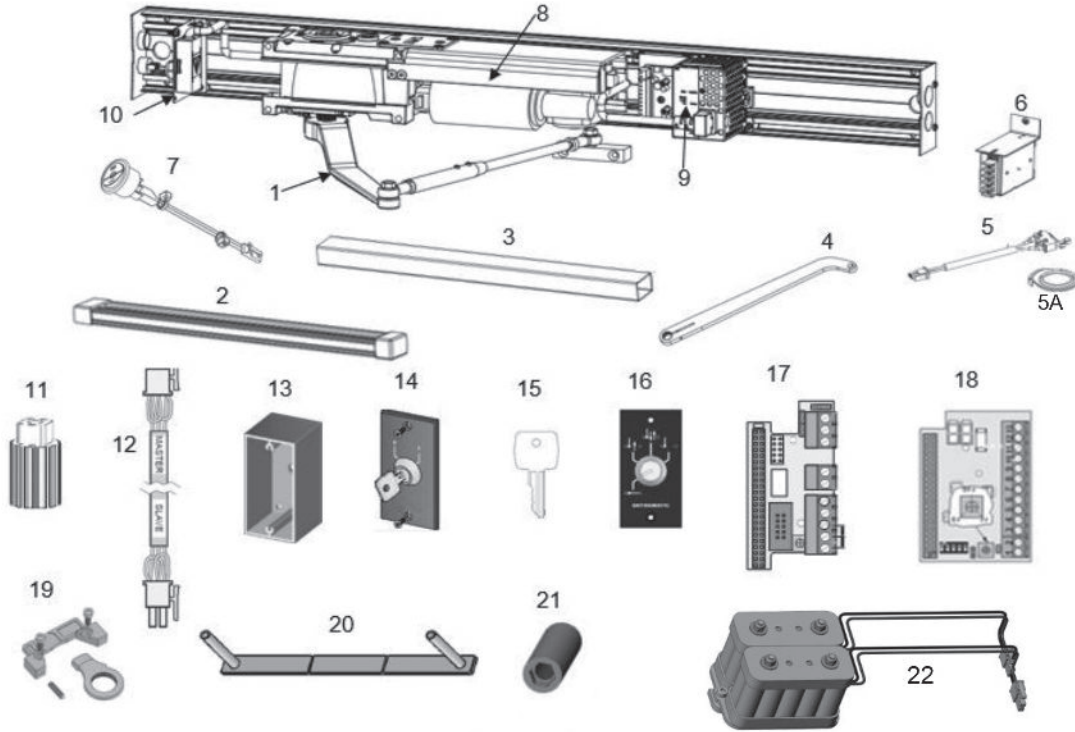
Replacement Parts - HA7



Item	Part #	Description
1	W7-331020157	ground wire
2	W7-330000828	back plate with power cable
3	W7-331020445BK	spindle cover kit (black)
	W7-331020445PD	spindle cover kit (grey)
4	W7-331019785	bracket power plug
5	W7-331020704BK	endplate with control switch (black)
6	W7-331020393BK	endplate (black)
7	W7-331018537	control unit (CU)
8	W7-330000841	transmission unit kit
9	W7-330000829	lock kick for push & pull
10	W7-331020253	adaptor holder
11	W7-331704236	extension power cable
12	W7-331020396DB	cover (dark bronze)
	W7-331020396NA	cover (silver)

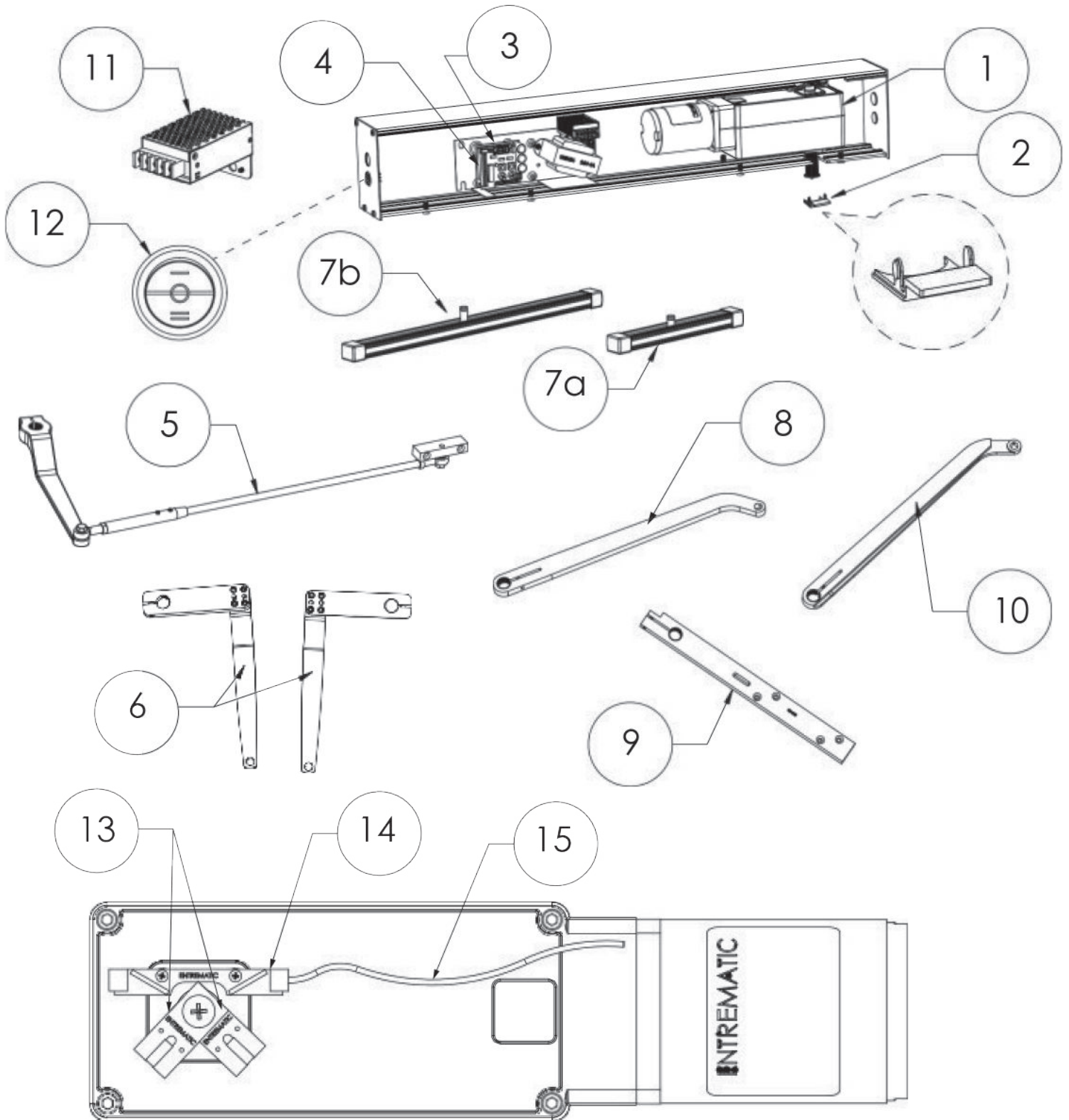
Item	Part #	Description
13	W7-331018859	power cord
14	W7-331703711	power adaptor
15	W7-331020293	power box adaptor kit (internal components only, box not included)
16	W7-330000830BK	pull arm service kit (black)
	W7-330000830PD	pull arm service kit (grey)
17	W7-331020226BK	pull arm kit (black)
	W7-331020226PD	pull arm kit (grey)
18	W7-331020857BK	push arm kit (black)
	W7-331020857PD	push arm kit (grey)
19	W7-330000831BK	drive shaft kits for PUSH arm (black)
20	W7-330000832BK	drive shaft kits for PULL arm (black)

Replacement Parts - HA9



Item	Category	Part #	Description	Item	Category	Part #	Description
1	Push Arm	W7-200	complete push arm-clear (17.5" rod)	7	Rocker Switch	W8-804	on/off/hold open 3-position switch
		W7-205	complete push arm-bronze (17.5" rod)	8	Motor/Gearbox	W8-801	motor/gearbox kit
		W5-502C	cast portion- clear	9	Controls	W8-802	HA9 Controller
		W5-502B	cast portion- bronze	10	Conduit	W8-803	Conduit bracket kit
		W5-500C	22" extended rod- clear	11	Shaft Adaptor	W8-805	Shaft adaptor
		W5-500B	22" extended rod-bronze	12	Sync Cable	W8-850	sync cable for pair units
2	Pull Arm Track-Long	W5-551	pull track assembly long-clear	13	Program Selector	W8-856	surface mount box
		W5-556	pull track assembly long-bronze	14		W8-857	2 pos., psk-2
3	Reveal Spacer Extrusion (1-9/16" x 2-3/8")	W8-863-BLK	Spacer Assy - black	15		W8-858	spare key psk/ps-4c
		W8-863-SL	Spacer Assy- silver	16		W8-859	4 pos, w/ key PS-4C
4	Pull Arm	W5-512C	pull arm-clear	17	Extension Units	W8-860	EXU-SA
		W5-512B	pull arm-bronze	18		W8-861	EXU-SI
5	Micro Switch Kit	W8-852	lock kick switch & cam (includes 5A)	19	Stop Arm Kit	W8-851	Stop Arm Kit
5A	Lock Kick	W8-864	lock kick cam	20	Lock Spacer Kit	W8-853	Lock Spacer Kit
6	Power Supply Kit	WL-PWRKIT	RS-25-24 power supply kit	21	Allen Key Head Nut Kit	W8-854	Allen Key Head Nut Kit
				22	Battery backup	W8-855	Optional battery backup

Replacement Parts - HA8-SP

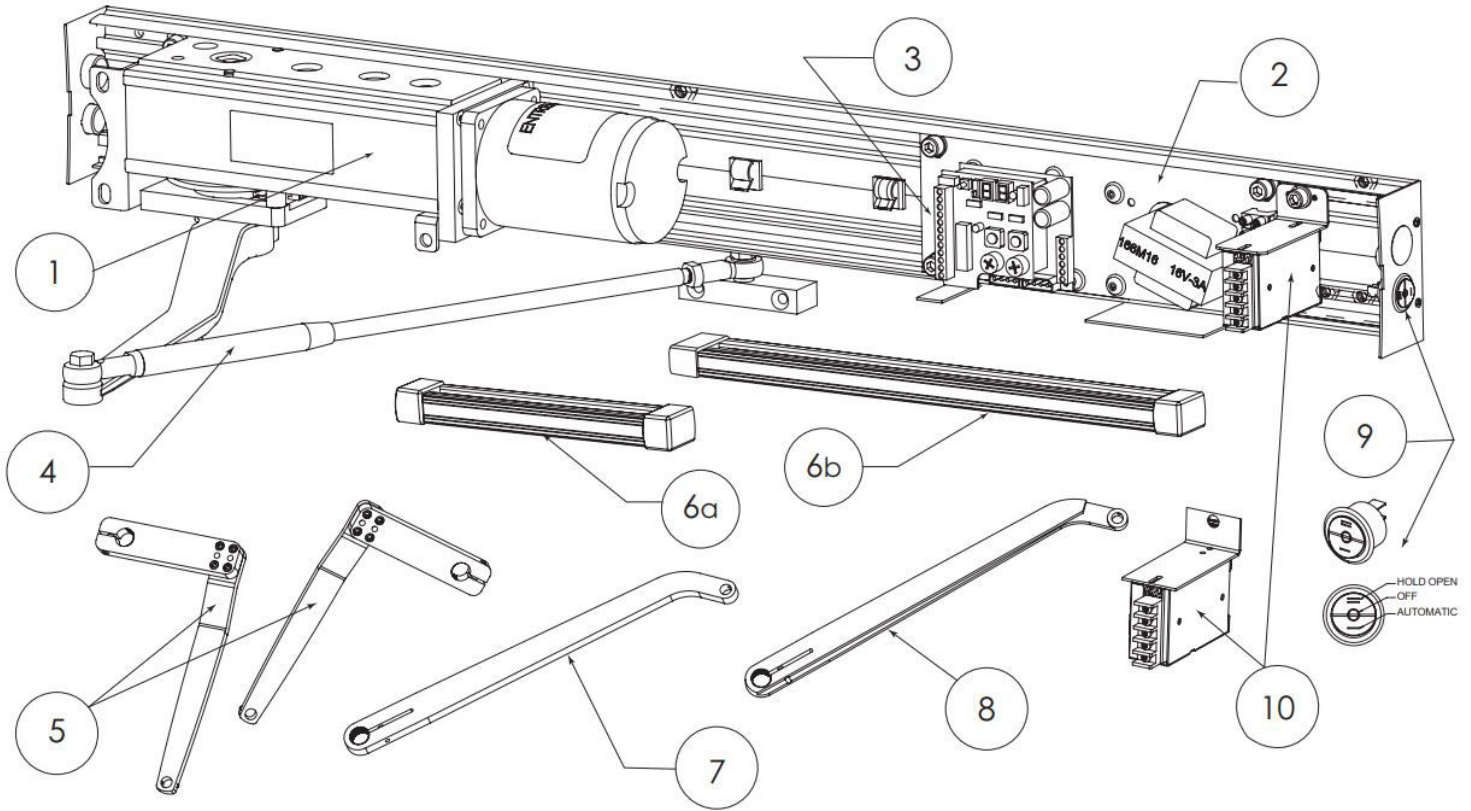


Replacement Parts - HA8-SP



Item	Category	Part #	Description	Item	Category	Part #	Description
1	Operators	W7-105L	LH 1/8 hp operator	7a	Pull Arm Track - short (for z arm)	W5-550	Pull track assembly - clear
		W7-105R	RH 1/8 hp operator			W5-555	Pull track assembly - bronze
		W7-106L	LH 1/8 hp, push & go operator	7b	Pull Arm Track - long (for Universal/Center Spindle)	W5-551	Pull track assembly long-clear (for Univ/Center Spindle)
		W7-106R	RH 1/8 hp, push & go operator			W5-556	Pull track assembly long-bronze (for Univ/Center Spindle)
2	Header Cap	W5-557	Header Plastic Cap	8	Universal Arm	W5-512C	Universal Arm-clear
3	Control Board	W7-130-1	HA Digital Control Board	W5-512B		Universal Arm-bronze	
		W7-135-1	FA Digital Control Board	9	Center Hung Arm	W5-520	Center Hung Arm 2 3/4"
		W7-180	Dual Digital Control Board (FA8 only)			W5-521	Center Hung Arm 3 3/4"
		W7-130-1M	HA Digital Control Board w/ monitoring	10	Center Spindle Arm	W5-511C	Center Spindle-clear (LH)
		W7-135-1M	FA Digital Control Board w/ monitoring			W5-510C	Center Spindle-clear (RH)
		W7-180-1M	Dual Digital Control Board w/ monitoring			W5-511B	Center Spindle-bronze (LH)
W5-510B	Center Spindle-bronze (RH)						
4	Fuses	W5-422	3amp fuse (HA8)	11	AUX Power Supply Kit (optional)	WL-PWRKIT	RS-25-24 Power supply kit
		W5-430	4amp fush (FA8)				
5	Push Arm	W7-200	complete push arm-clear	12	Rocker Switch	WL-ROCKER-SWITCH	On/off/hold open 3 position switch
		W7-205	complete push arm-bronze				
		W5-502C	cast portion only- clear	13	Magnet Sets	W5-416	magnet set, detects back check and latch check phases
		W5-502B	cast portion only-bronze				
6	Z Arm (Pull)	W5-506C	Z Arm-RH-Clear	14	Reed Switch	W5-415	reed switch & harness; communicates to control board the position of door
		W5-505C	Z Arm-LH-Clear				
		W5-506B	Z Arm-RH-Bronze	15	Harness Cable	W5-415-2	Communicates to control board the position of door
		W5-505B	Z Arm-LH-Bronze				
		W5-508C	Ext Z Arm-RH-Clear				
		W5-508B	Ext Z Arm-RH-Black				
		W5-507C	Ext Z Arm-LH-Clear				
		W5-507B	Ext Z Arm-LH-Black				

Replacement Parts - HA8-LP



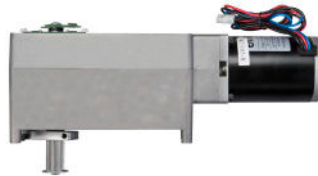
Item	Category	Part #	Description	Item	Category	Part #	Description
1	Operators	WL-PA03	LP Operator	6a	Arm	W5-550	Pull track assembly-clear
2	Controls	W7-130-1	Digital Control Board			W5-555	Pull track assembly-bronze
3	Controls	W5-422	Fuse 3amp digital	6b	Arms	W5-551	Pull track assembly long-clear (univ arm)
4	Arms	W7-200	complete push arm-clear			W5-556	Pull track assembly long-bronze (univ arm)
5	Arms	W5-506C	Z Arm-RH-Clear	7	Arms	W5-512C	Universal Arm-clear
		W5-505C	Z Arm-LH-Clear			W5-512B	Universal Arm-bronze
		W5-506B	Z Arm-RH-Bronze	8	Arms	W5-510C	Center Spindle-RH-Clear
		W5-505B	Z Arm-LH-Bronze			W5-511C	Center Spindle-LH-Clear
		W5-508C	Extended Z Arm-RH-Clear			W5-510B	Center Spindle-RH-Bronze
		W5-507C	Extended Z Arm-LH-Clear			W5-511B	Center Spindle-LH-Bronze
		W5-508B	Extended Z Arm-RH-Black	9	Misc	WL-Rocker switch	On-Off-Hold Open 3-position switch
		W5-507B	Extended Z Arm-LH-Black	10	Misc	WL-PWRKIT	RS-25-24 Power Supply Kit

Replacement – Spare Parts



Controls

Part No.	Description	List Price
W7-331018537	HA7 Control Unit	\$827.00
W8-802	HA9 Controller	\$1,172.00
W7-130-1	Digital Control Board for SP & LP with Universal Mounting Bracket	\$590.00
W7-130-1M	HA8-SP Control Board with Monitoring (Low-Energy Digital)	\$786.00
W7-135-1M	Digital Control Board for FA8-SP with Monitoring	\$963.00
W7-180-1M	Dual Digital Control Board for FA8-SP with Monitoring	\$1,656.00
W5-421	3 Amp Fuses – Std Controls, Short, Analog (6 pack)	\$33.00
W5-422	3 Amp Fuses – Std Controls, Long, Digital (6 pack)	\$33.00



Operators

Part No.	Description	List Price
W7-330000841	HA7 Transmission Unit	\$783.00
W8-801	HA9 Motor/Gearbox	\$2,401.00
W7-115R	HA8-SP Plated Operator (RH) w/ standard spring (fits plated models prior to 11/30/17)	\$1,676.00
W7-115L	HA8-SP Plated Operator (LH) w/ standard spring (fits plated models prior to 11/30/17)	\$1,676.00
W7-100R	HA8-SP Cast Operator (RH) w/ standard spring (fits cast SP models prior to 11/30/17)	\$1,893.00
W7-100L	HA8-SP Cast Operator (LH) w/ standard spring (fits cast SP models prior to 11/30/17)	\$1,893.00
WL-PA03	HA8-LP Operator – Non-Handed with Standard Spring	\$1,676.00
W7-105L	HA8-SP Operator with standard spring (left hand) (fits SP models after 12/1/17)	\$1,893.00
W7-105R	HA8-SP Operator with standard spring (right hand) (fits SP models after 12/1/17)	\$1,893.00



Arms

Part No.	Description	List Price
W7-200	Push Arm Complete -Clear	\$405.00
W7-205	Push Arm Complete - Bronze	\$405.00
W5-502B	Push Arm, Main Arm Only- Bronze	\$198.00
W5-502C	Push Arm, Main Arm Only - Clear	\$198.00
W5-505B	Z/Pull Arm Left - Bronze (for complete assembly order track below)	\$354.00
W5-506B	Z/Pull Arm Right - Bronze (for complete assembly order track below)	\$354.00
W5-555	Pull Arm Track Assembly (11-3/8" w/ endcaps) for 90 Degree Arm - Bronze	\$95.00
W5-505C	Z/Pull Arm Left - Clear (for complete assembly order track below)	\$354.00
W5-506C	Z/Pull Arm Right-Clear (for complete assembly order track below)	\$354.00
W5-550	Pull Arm Track Assembly (11-3/8" w/endcaps) for 90 Degree Arm - Clear	\$95.00
W5-512B	Universal Arm - Bronze (for complete assy order track below)	\$320.00
W5-512C	Universal Arm - Clear (for complete assembly order track below)	\$320.00
W5-556	Pull Arm Track Assembly (22") for Universal Arm - Bronze	\$145.00
W5-551	Pull Arm Track Assembly (22") for Universal Arm - Clear	\$145.00
W5-510B	Center Spindle Hidden Arm for Right Hand - Bronze	\$381.00
W5-511B	Center Spindle Hidden Arm for Left Hand - Bronze	\$381.00
W5-510C	Center Spindle Hidden Arm for Right Hand - Clear	\$381.00
W5-511C	Center Spindle Hidden Arm for Left Hand - Clear	\$381.00
W5-520	Center Hung Arm (2 3/4" Spindle Location)	\$381.00
W5-521	Center Hung Arm (3 3/4" Spindle Location)	\$381.00
W5-500C	Extended Push Arm Rod (up to 18" reveal) (additional) - Clear	\$86.00
W5-500B	Extended Push Arm Rod (up to 18" reveal) (additional) - Bronze	\$86.00
W5-507C	Extended Pull Arm for Left Hand (up to 8" reveal) - Clear	\$269.00
W5-507B	Extended Pull Arm for Left Hand (up to 8" reveal) - Black	\$269.00
W5-508C	Extended Pull Arm for Right Hand (up to 8" reveal) - Clear	\$269.00
W5-508B	Extended Pull Arm for Right Hand (up to 8" reveal) - Black	\$269.00
W7-330000830BK	HA7 Pull Arm Service Kit - Black	\$28.00
W7-330000830PD	HA7 Pull Arm Service Kit - Grey	\$28.00
W7-331020226BK	HA7 Pull Arm Kit - Black	\$102.00
W7-331020226PD	HA7 Pull Arm Kit - Grey	\$102.00
W7-331020857BK	HA7 Push Arm Kit - Black	\$128.00
W7-331020857PD	HA7 Push Arm Kit - Grey	\$128.00
W7-330000831BK	HA7 Drive Shaft kits for PUSH arm (black)	\$59.00
W7-330000832BK	HA7 drive shaft kits for PULL arm (black)	\$59.00



Accessory/Sensor Product

Part No.	Description	List Price
W6-103	1.5 x 4.75" stainless steel jamb plate with blue "push to open" text	\$99.00
W6-104	1.5 x 4.75" jamb surface mount box (can be used with W6-103)	\$44.00
W6-107	4.5" square blue push plate with "push to open" text	\$146.00
W6-108	4.5" square stainless steel push plate with blue "push to open" text	\$146.00
P-10BOX45SQSM	4.5" square surface mount box (can be used with W6-107 or W6-108)	\$60.00
W6-121	4.75" x 4.75" Stainless Steel Dual Push Plate for use in Vestibules – Includes adapter ring, two separate push plates with arrow and blue "push to open" text on one back plate. Requires two P-10TD900PB transmitters.	\$261.00
P-10RD900	Wireless Radio Receiver Digital 900 mhz. Includes integral sequencing "learn" buttons (for vestibule applications), pulse/toggle functionality and additional hold time.	\$176.00
P-10TD900HH1	Digital transmitter, 900 MHz, 1 button hand-held	\$130.00
P-10TD900PB	900 MHz push button transmitter	\$130.00
W5-670	Wave to Open switch for touchless activation. Packaged with single and double gang face plates.	\$202.00
W6-151	Hard Wired 36" Vertical Push Plate	\$1,067.00
W6-153	36" Vertical Actuation Bar/Low Profile Push Plate with 900 MHz transmitter	\$1,098.00
W6-133	Wireless Push Button Activation Package. Includes: (2) square 4.5" stainless steel push plates with "push to open" text only, (2) surface mount boxes, (2) 900 MHz transmitters and (1) 900 MHz receiver	\$658.00
W6-134	Wireless Push Button Activation Package. Includes: (2) square 4.5" blue push plates with "push to open" text only, (2) surface mount boxes, (2) 900 MHz transmitters and (1) 900 MHz receiver	\$658.00
W6-159	Wireless Push Button Activation Package. Includes: (2) 1.5" x 4.75" jamb style push plates, (2) surface mount jamb boxes, (2) 900 MHz transmitters and (1) 900 MHz receiver	\$469.00
W6-158	Wireless Push Button Activation Package. Includes: (1) 1.5" x 4.75" jamb style push plates, (1) surface mount jamb boxes, (1) 900 MHz transmitters and (1) 900 MHz receiver	\$395.00
W6-137	Hardwired Push Button Activation Package. Includes: (2) 4.75" square stainless steel push plates, (2) 4.75" square surface mount boxes	\$255.00
W6-146	Wireless Vestibule Push Plate Package Includes: (2) 4.75" square stainless steel plates, (3) surface mount boxes, (4) 900 MHz wireless transmitters, (2) 900 MHz wireless receivers, and (1) 4" x 4" stainless steel dual push plate for use in vestibules	\$1,126.00
P-10BOLLARD-CLR	Silver/Clear Finish Bollard Mounting Post – Carbon Steel construction with powder coat paint finish. Dimensions: 42" H x 6" W x 4" D. Accomodates the following push plates: W6-131, W6-139 and W6-121	\$637.00

Notes:

•Items in bold qualify for Quick Ship



Accessory/Sensor Product (Continued)

Part No.	Description	List Price
P-CM-42-BSU-BRZ	Bronze Finish Bollard Mounting Post – Carbon steel construction with powder coat paint finish. Dimensions: 42" H x 6" W x 4" D. Accomodates the following push plates: W6-131, W6-139 and W6-121	\$637.00
P-10BOLLARD-BLK	Black Finish Bollard Mounting Post – Carbon steel construction with powder coat paint finish. Dimensions: 42" H x 6" W x 4" D. Accommodates the following push plates: W6-131, W6-139 and W6-121	\$637.00
P-10BR2-900	2-relay logic module with built-in 900 MHz wireless technology	\$292.00
P-9101	Lock-Out Relay	\$161.00
L3-1104	BEA Bodyguard Overhead Presence Sensor utilizing Diffused Active Infrared Technology. Provides safety with two separate patterns: 1. Door fully open 2. Door fully closed. Door open pattern allows for threshold protection. For use with lockout such as P-9101. Maximum mounting height: 9'. Remote control adjustable.	\$653.00
L3-115-2U	BEA LZR Microscan Universal Laser Microscan kit that includes (1) Hub, (4) Microscan sensors, all mounting hardware, accessories, power supply and the 10DOORSWITCH for a simultaneous pair application.	\$3,643.00
L3-1114-1U	BEA LZR Microscan Universal Laser Microscan kit that includes (1) Hub, (2) Microscan sensors, all mounting hardware, accessories, power supply and switch assembly for a single door application.	\$1,950.00
L3-1102	BEA Eagle Microwave Motion Detector. Meets FCC requirements and ANSI Standard. Utilizes K-band microwave technology. Supplied with two antennas: narrow and wide pattern. Mounting height: 7 - 10'. Remote control adjustable.	\$558.00
L3-1127	Optex Pro-Swing Elite detects moving or stationary people in the swing path of the door. For use in single swing, dual egress and simultaneous pair applications.	\$1,924.00
W6-141	BEA LZR Flatscan safety sensor for left door leaf (black) Low Energy	\$993.00
W6-142	BEA LZR Flatscan safety sensor for right door leaf (black) Low Energy	\$993.00
W6-143	BEA LZR Flatscan safety sensor kit for doors (black) Full Energy	\$1,934.00
W6-147	Entrematic Restroom Kit: Advanced programmable 3-relay logic module, occupied indicator, dual function "push to lock"/ "locked when lit" LED button, and door position switch	\$553.00
W6-148	Entrematic Emergency Add-On Kit	\$941.00







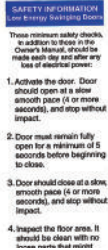
Miscellaneous

Part No.	Description	List Price
W5-105	Standard Spring	\$254.00
W5-101	1/8 H.P. Motor – New For HA8-SP or HA8-LP	\$507.00
WL-P0108	HA8-LP Extended Spindle Shaft (1-1/2" Extension)	\$133.00
WL-P0109	HA8-LP Extended Spindle Shaft (3" Extension)	\$133.00
W8-803	Conduit Bracket Assembly for HA9	\$118.00
W8-850	Sync Cable for HA9 pair operators	\$120.00
W8-851	Door Stop with Stop Block Kit for HA9	\$118.00
W8-852	Micro Switch Kit with cam for HA9	\$61.00
W8-864	Lock Kick Cam	\$12.00
W8-853	Lock Spacer Kit	\$13.00
W8-854	Allen Key Head Nut Kit	\$7.00
W8-855	Battery Backup for HA9	\$565.00
W8-805	Shaft Adaptor for HA9	\$78.00
W8-860	EXU-SA (safety auxiliary board for HA9)	\$399.00
W8-861	EXU-SI (security auxiliary board for HA9)	\$482.00
W8-863-BLK	Reveal Spacer Assembly - black (1 9/16"x 2 3/8")	\$45.00
W8-863-SL	Reveal Spacer Assembly - silver (1 9/16"x 2 3/8")	\$45.00
P-81322-900	Breakout Stop/Switch fits SP center hung operator	\$483.00
W5-415	Reed Switch for SP	\$95.00
WL-P0068	Reed Switch for LP	\$95.00
W5-415-1	Reed Switch Harness (both HA Standard and Low Profile)	\$26.00
W5-415-2	Reed Switch Harness Extension (both HA standard and low profile)	\$36.00
W5-416	Reed Switch Magnets for SP (Back Check)	\$26.00
W5-409	On/Off/Hold Open Switch (for SP and FA units prior to 11/30/17)	\$78.00
WL-ROCKER	3-Way Rocker Switch (On/Off/Hold Open for SP & LP units)	\$21.00
W8-804	3-Way Rocker Switch (On/Off/Hold Open, 3-position switch for HA9)	\$48.00
W8-856	Surface Mount Box Program Selector	\$37.00
W8-857	Program Selector, 2 position, PSK-2	\$127.00
W8-858	Spare Key PSK/PS-4C	\$15.00

Miscellaneous (continued...)

Part No.	Description	List Price
W8-859	Program Selector, 4 position w/ key PS-4C	\$127.00
WL-PWRKIT	24 VDC-1.1 amp Aux Power Supply Kit with mounting bracket	\$461.00
W5-528C	Aluminum reinforcement bracket for aluminum storefronts where no backing exists (clear)	\$124.00
W5-528B	Aluminum reinforcement bracket for aluminum storefronts where no backing exists (black)	\$124.00
W7-331020157	HA7 Ground Wire	\$17.00
W7-330000828	HA7 Back Plate with Power Cable	\$48.00
W7-331020445BK	HA7 Spindle Cover Kit (black)	\$9.00
W7-331020445PD	HA7 Spindle Cover Kit (grey)	\$9.00
W7-331019785	HA7 Bracket Power Plug	\$6.00
W7-331020704BK	HA7 Endplate with Control Switch (black)	\$37.00
W7-331020393BK	HA7 Endplate (black)	\$17.00
W7-330000829	HA7 Lock Kick for Push & Pull	\$37.00
W7-331020253	HA7 Adaptor Holder	\$44.00
W7-331704236	HA7 Extension Power Cable	\$35.00
W7-331020396DB	HA7 Cover (dark bronze)	\$42.00
W7-331020396NA	HA7 Cover (silver)	\$42.00
W7-331018859	HA7 Power Cord	\$21.00
W7-331703711	HA7 Power Adaptor	\$109.00
W7-331020293	HA7 Power Box Adaptor Kit (internal components only, box not included)	\$194.00

Decals

Part No.	Description	Image	List Price
W5-628	Caution Automatic Door/Activate Switch to Operate combo decal		\$21.00
W5-622	Do Not Enter 1 Red (Round) (FA)		\$16.00
W5-623	Do Not Enter 2 (Round) "Green Arrow" (FA)		\$16.00
W5-626	Ditec logo "Dome" label		\$16.00
W5-625	Low Energy AAADM Decal		\$16.00

Important Notes

- Replacement Parts Warranty. Limited 1 Year from Ship Date. See Warranty Statement.
- \$50 Minimum order required
- 45% Restocking fee
- \$15 drop ship fee
- Products listed in bold qualify for the *Quick Ship* Program. See program details on page 3.