

# Network Video Recorder

## NVR304-S-P Series



### Key Features

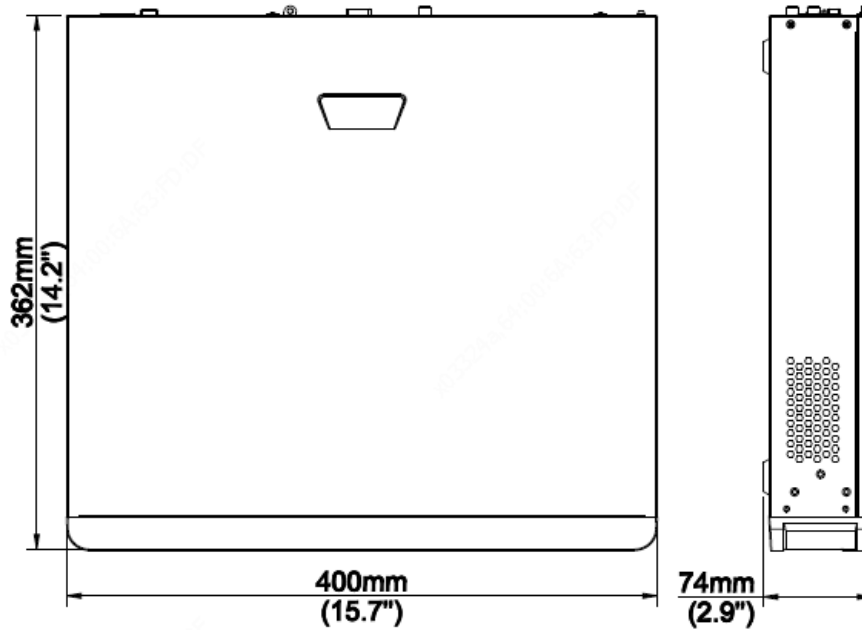
- Support Ultra265/H.265/H.264 video formats
- 16/32-channel input
- Plug & Play with 16 independent PoE network interfaces
- Support mainstream cameras of ONVIF conformance(Profile S, Profile G, Profile T ) and RTSP protocols
- Support HDMI and VGA simultaneous output
- Up to 8 Megapixels resolution recording
- 4 SATA HDDs, up to 10TB for each HDD
- ANR technology to enhance the storage reliability when the network is disconnected
- Support cloud upgrade

## Specifications

| Model   | NVR304-16S-P16   | NVR304-32S-P16   |
|---|--|--|
| <b>Video/Audio Input</b>                        |  |  |
| IP Video Input                                  | 16-ch  | 32-ch  |
| Two-way Audio Input                             | 1-ch, RCA  |  |
| <b>Network</b>                                  |  |  |
| Incoming Bandwidth                              | 160Mbps  |  |
| Outgoing Bandwidth                              | 64Mbps   |  |
| Remote Users                                    | 128  |  |
| Protocols                                       | TCP/IP, P2P, UPnP, NTP, DHCP, PPPoE, HTTP, HTTPS, DNS, DDNS, SNMP, SMTP  |  |
| Browser   | IE(IE10/11) for Windows<br>Firefox (version 52.0 and above) for Windows<br>Chrome(version 45 and above) for Windows<br>Edge(version 79 and above) for Windows                                |  |
| <b>Video/Audio Output</b>                       |  |  |
| HDMI/VGA Output                                 | HDMI:<br>4K (3840x2160@30), 1920X1080@60, 1920X1080@50, 1600X1200@60, 1280X1024@60, 1280X720@60, 1024X768@60<br>VGA:<br>1920X1080@60, 1920X1080@50, 1280X1024@60, 1280X720@60, 1024X768@60   |  |
| Recording Resolution                            | 8MP/6MP/5MP/4MP/3MP/1080p/960p/720p/D1/2CIF/CIF  |  |
| Audio Output                                    | 1-ch, RCA  |  |
| Audio Compression                               | G.711A, G.711U   |  |
| Synchronous Playback                            | 16-ch  |  |
| Liveview display                                | 1/4/6/8/9/16   | 1/4/6/8/9/16/25/36   |
| Corridor Mode Screen                            | 3/4/5/7/9/10/12/16   | 3/4/5/7/9/10/12/16/32  |
| <b>Decoding</b>                                 |  |  |
| Decoding format                                 | Ultra 265/H.265/H.264  |  |
| Live view/Playback                              | 8MP/6MP/5MP/4MP/3MP/1080p/960p/720p/D1/2CIF/CIF  |  |
| Capability                                      | 2 x 4K@30, 4x 4MP@30, 5 x 3MP@30, 8 x 1080P@30, 16 x 720P@30   | 2 x 4K@30, 4x 4MP@30, 5 x 3MP@30, 8 x 1080P@30, 16 x 720P@30, 32 x D1@30 |
| <b>Hard Disk</b>                                |  |  |
| SATA  | 4 SATA interfaces  |  |
| Capacity  | Up to 10TB for each disk   |  |
| <b>Smart</b>                                    |  |  |
| VCA Detection by Camera                         | Intrusion Detection, Cross Line Detection, Enter Area, Leave Area, Defocus Detection, Scene Change Detection, Object Left Behind, Object Removed, Auto Tracking, Ultra Motion Detection(UMD) |  |
| VCA Search                                      | Behavior Search  |  |
| People counting                                 | People Flow Counting, Crowd Density Monitoring   |  |
| Smart Intrusion Prevention (SIP), UMD by Camera | Total 8-ch   |  |
| <b>General Alarm</b>                            |  |  |

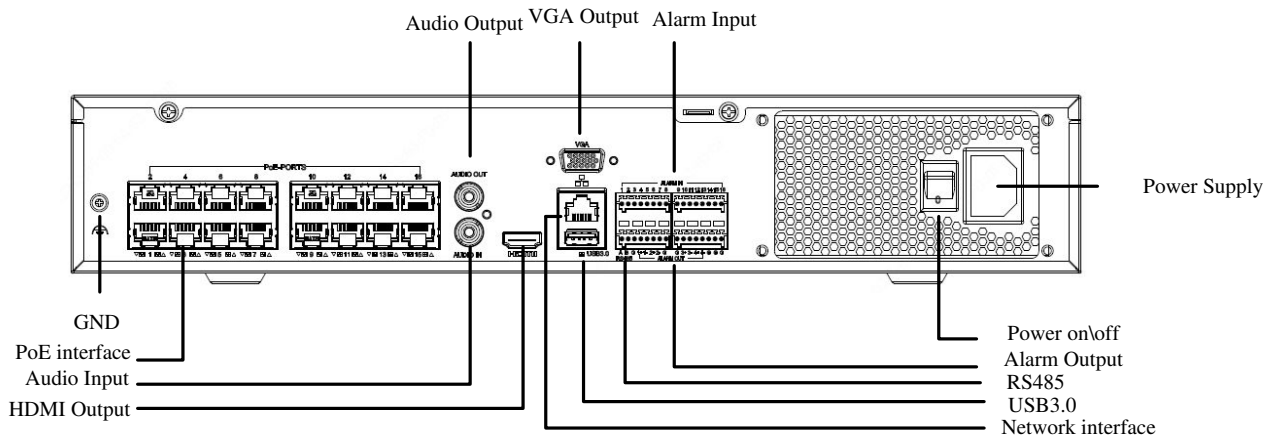
|                           |   |
|---------------------------|---|
| General Alarm             | Motion, Tampering, Human Body Detection, Video Loss, Alarm Input, Audio Detection   |
| Alert Alarm               | IP Conflict, Network Disconnected, Disk Offline , Disk Abnormal, Illegal Access, Hard Disk Space Low, Hard Disk Full, Recording/Snapshot Abnormal |
| <b>External Interface</b> |   |
| Network Interface         | 1 RJ-45 10M/100M/1000M self-adaptive Ethernet Interface   |
| USB Interface             | Front panel: 1 x USB2.0, Rear panel: 1 x USB3.0   |
| RS232                     | NA  |
| RS485                     | 1   |
| Alarm In                  | 16-ch   |
| Alarm Out                 | 4-ch  |
| <b>PoE</b>                |   |
| Interface                 | 16 RJ-45 10M/100M self-adaptive Ethernet Interface  |
| Max Power                 | Max 30W for single port<br>Max 150W in total  |
| Supported Standard        | IEEE 802.3af/at   |
| <b>General</b>            |   |
| Power Supply              | 100 ~ 240 V AC<br>Power Consumption: ≤15W(without HDD)  |
| Working Environment       | -10°C~+ 55°C (+14°F~+131°F), Humidity ≤ 90% RH (non-condensing)   |
| Dimensions (W×D×H)        | 400mm ×362mm × 74mm (15.7" × 14.2" ×2.9")   |
| Weight (without HDD)      | ≤5kg (11.02lb)  |
| <b>Certification</b>      |   |
| Certification             | CE, FCC, UL, RoHS, WEEE   |
| CE                        | EN 55032: 2015, EN 61000-3-3: 2013, EN IEC 61000-3-2: 2019, EN 55035: 2017  |
| FCC                       | Part15 Subpart B, ANSI C63.4  |

## Dimensions



## Rear Panel

Take **NVR304-16S-P16** for example



Zhejiang Uniview Technologies Co., Ltd.

Building No.10, Wanlun Science Park, Jiangling Road 88, Binjiang District, Hangzhou, Zhejiang, China

Email: [overseasbusiness@uniview.com](mailto:overseasbusiness@uniview.com); [globalsupport@uniview.com](mailto:globalsupport@uniview.com)

<http://sgcdn.uniview.com>

©2020-2022 Zhejiang Uniview Technologies Co., Ltd. All rights reserved.

\* Product specifications and availability are subject to change without notice.