

5MP HD Intelligent ColorHunter Fixed Bullet Network Camera

IPC2225SE-DF40(60)K-WL-I0



Key Features



- High quality image with 5MP, 1/2.7"CMOS sensor
- 5MP (2880*1620)@30/25fps; 4MP (2560*1440)@30/25fps;3MP (2304*1296)@30/25fps; 2MP (1920*1080)@30/25fps;
- Ultra 265, H.265, H.264, MJPEG
- Intelligent perimeter protection, include cross line, intrusion, enter area, leave area detection
- Based on target classification, smart intrusion prevention significantly reduce false alarm caused by leaves, birds and lights etc., accurately focus on human and, motor vehicle and non-motor vehicle
- Intelligent People Flow Counting and Crowd Density Monitoring
- Colorhunter technology ensures 24-hour full-color images
- 120dB true WDR technology enables clear image in strong light scene
- Support 9:16 corridor Mode
- Alarm:1 in/1 out, Audio: 1 in/1 out
- Supports 256 G micro SD card
- IK10 vandal resistant and IP67 protection
- Support PoE power supply

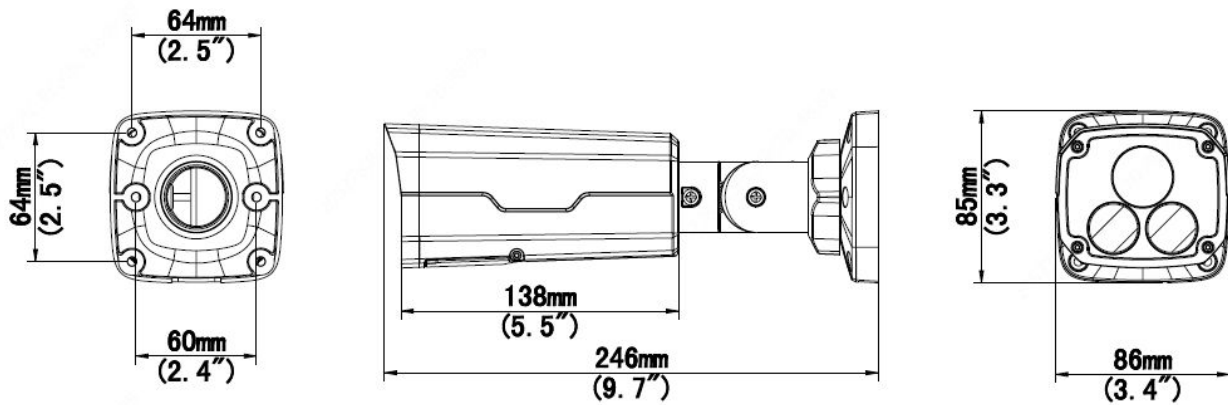
Specifications

| | IPC2225SE-DF40K-WL-I0 | IPC2225SE-DF60K-WL-I0 | | | |
|-------------------------|---|-----------------------|-------------|-------------------|--------------|
| Camera | | | | | |
| Sensor | 1/2.7", 5.0 megapixel, progressive scan, CMOS | | | | |
| Minimum Illumination | Colour: 0.001Lux (F1.0, AGC ON) | | | | |
| Shutter | Auto/Manual, 1 ~ 1/100000s | | | | |
| Adjustment angle | Pan: 0° ~ 360° | Tilt: 0° ~ 90° | | Rotate: 0° ~ 360° | |
| WDR | 120dB | | | | |
| S/N | >56dB | | | | |
| Lens | | | | | |
| Lens | 4.0mm@F1.0 | 6.0mm@F1.0 | | | |
| Angle of View (H) | 80.2° | 53.4° | | | |
| Angle of View (V) | 43.0° | 29.2° | | | |
| Angle of View (O) | 94.7° | 61.6° | | | |
| DORI | | | | | |
| | Lens (mm) | Detect (m) | Observe (m) | Recognize (m) | Identify (m) |
| DORI Distance | 4.0 | 90.0 | 36.0 | 18.0 | 9.0 |
| | 6.0 | 135.0 | 54.0 | 27.0 | 13.5 |
| Illuminator | | | | | |
| LED Distance | Up to 30m (98ft) | | | | |
| LEDs Number | 2 | | | | |
| LED On/Off Control | Auto/Manual | | | | |
| Video | | | | | |
| Video Compression | Ultra265, H.265, H.264, MJPEG | | | | |
| H.264 code profile | Baseline profile, Main profile, High profile | | | | |
| Frame Rate | Main Stream: 5MP (2880*1620), Max 30fps; 4MP (2560*1440), Max 30fps; 3MP (2304*1296), Max 30fps; 2MP (1920*1080), Max 30fps; 720P(1280*720), Max 30fps Sub Stream: 720P (1280*720), Max 30fps; D1 (720*576), Max 30fps; 640*360, Max 30fps; Third Stream: D1 (720*576), Max 30fps; 640*360, Max 30fps; 2CIF(704*288), Max 30fps; CIF(352*288), Max 30fps; | | | | |
| Video Bit Rate | 128 Kbps~16 Mbps | | | | |
| U-code | Support | | | | |
| ROI | Up to 8 areas | | | | |
| Video Stream | Triple streams | | | | |
| OSD | Up to 8 OSDs | | | | |
| Privacy Mask | Up to 4 areas | | | | |
| Image | | | | | |
| White Balance | Auto/Outdoor/Fine Tune/Sodium Lamp/Locked/Auto2 | | | | |
| Image Setting | Image rotation, brightness, saturation, contrast, sharpness, gain adjustable by web browser | | | | |
| Digital noise reduction | 2D/3D DNR | | | | |
| Smart Illumination | Support | | | | |
| Flip | Normal/Vertical/Horizontal/180°/90°Clockwise/90°Anti-clockwise | | | | |
| Dewarping | N/A | | | | |
| HLC | Support | | | | |

| | |
|----------------------------|---|
| BLC | Support |
| Defog | Digital Defog |
| Intelligent | |
| Smart intrusion prevention | Support false alarm filtering: Line crossing detection, Intrusion detection, Region entrance detection, Region exit detection |
| Statistical Analysis | People counting, support tripwire people counting and area people counting |
| Events | |
| Basic Detection | Motion detection, Ultra motion detection, Tampering alarm, Audio Detection |
| General Function | Watermark, IP Address Filtering, Alarm input, Alarm output, Access Policy, ARP Protection, RTSP Authentication, User Authentication |
| Audio | |
| Audio Compression | G.711 |
| Audio Bitrate | 64 Kbps |
| Two-way audio | Support |
| Suppression | Support |
| Sampling Rate | 8KHZ |
| Storage | |
| Edge Storage | Micro SD, up to 256GB |
| Network Storage | ANR, NAS(NFS) |
| Network | |
| Protocols | IPv4, IPv6 ,IGMP, ICMP, ARP, TCP, UDP, DHCP, PPPoE, RTP, RTSP, RTCP, DNS, DDNS, NTP, FTP, UPnP, HTTP, HTTPS, SMTP, 802.1x, SNMP, QoS, RTMP,SSL/TLS, SSH |
| Compatible Integration | ONVIF (Profile S, Profile G, Profile T), API,SDK |
| Client | EZStation EZView EZLive |
| Web Browser | Plug-in required live view: IE 10 and above, Chrome 45 and above, Firefox 52 and above, Edge 79 and above Plug-in free live view: Chrome 57.0 and above, Firefox 58.0 and above, Edge 16 and above |
| Interface | |
| Audio I/O | Input: impedance 35kΩ; amplitude 2V [p-p] Output: impedance 600Ω; amplitude 2V [p-p] |
| Alarm I/O | 1/1 |
| RS485 | N/A |
| Built-in Mic | N/A |
| Built-in Speaker | N/A |
| WIFI | N/A |
| Network | 1 RJ45 10M/100M Base-TX Ethernet |
| Video Output | N/A |
| Certifications | |
| EMC | FCC CFR 47 Part 15 EN 55032:2015 EN 55024:2010 EN 61000-3-2:2014 EN 61000-3-3-2013 |
| Safety | IEC 62368-1 EN 62368-1 UL 62368-1 |

| | |
|------------------------|--|
| Environment | CE-ROHS (2011/65/EU;(EU)2015/863); WEEE (2012/19/EU); REACH (Regulation (EC) No 1907/2006) |
| Protection | Ingression protection: IP67 (IEC 60529-2013) Vandal resistant: IK10 (IEC 62262:2002) |
| General | |
| Power | DC 12V±25%, PoE (IEEE 802.3af) |
| | Power consumption: Max 9.0W |
| Power Interface | Ø 5.5mm coaxial power plug |
| Dimensions (L x W x H) | 246x 86 x 85mm (9.7" x 3.4" x 3.3") |
| Weight | 0.92kg (2.02lb) |
| Material | Metal |
| Working Environment | -30°C ~ 60°C (-22°F ~ 140°F), Humidity: ≤95% RH (non-condensing) |
| Storage Environment | -30°C ~ 60°C (-22°F ~ 140°F), Humidity: ≤95% RH (non-condensing) |
| surge protection | 4KV |
| Reset Button | N\A |

Dimensions



Accessories

TR-JB07-D-IN



TR-JB06-A-IN



TR-UP06-B-IN



TR-UP06-C-IN



TR-A01-IN



| Junction Mount | Pole Mount |
|--|--------------|
| TR-JB07-D-IN(TR-JB06-A-IN)+ TR-UP06-C-IN | TR-UP06-B-IN |
| | |

Zhejiang Uniview Technologies Co., Ltd.

Building No.10, Wanlun Science Park, Jiangling Road 88, Binjiang District, Hangzhou, Zhejiang, China (310051)

Email: overseasbusiness@uniview.com; globalsupport@uniview.com

<http://www.uniview.com>

©2020-2022 Zhejiang Uniview Technologies Co., Ltd. All rights reserved.

*Product specifications and availability are subject to change without notice.