

# 24" LED FHD Monitor

MW3224-V



## Key Features

- True color display and perfect color reproduction
- Wide viewing angle:178°(H)/ 178°(V)
- No color shift from any view angle
- Specific menu design, which is simple to operate
- Support 7\*24 working and lower power consumption
- Adaptively recognize signal
- VESA stand bracket
- High fidelity digital processing for a brilliant and vivid video
- Professional thermal design to extend equipment lifespan
- Screen can reduce blue light, protect eyes
- Without ripple, use smooth dimming with DC to eliminate screen flicker
- Three sides super slim design, min width can be 2.8mm
- High light transmittance, uniform brightness, rich color, wide color gamut

## Specifications

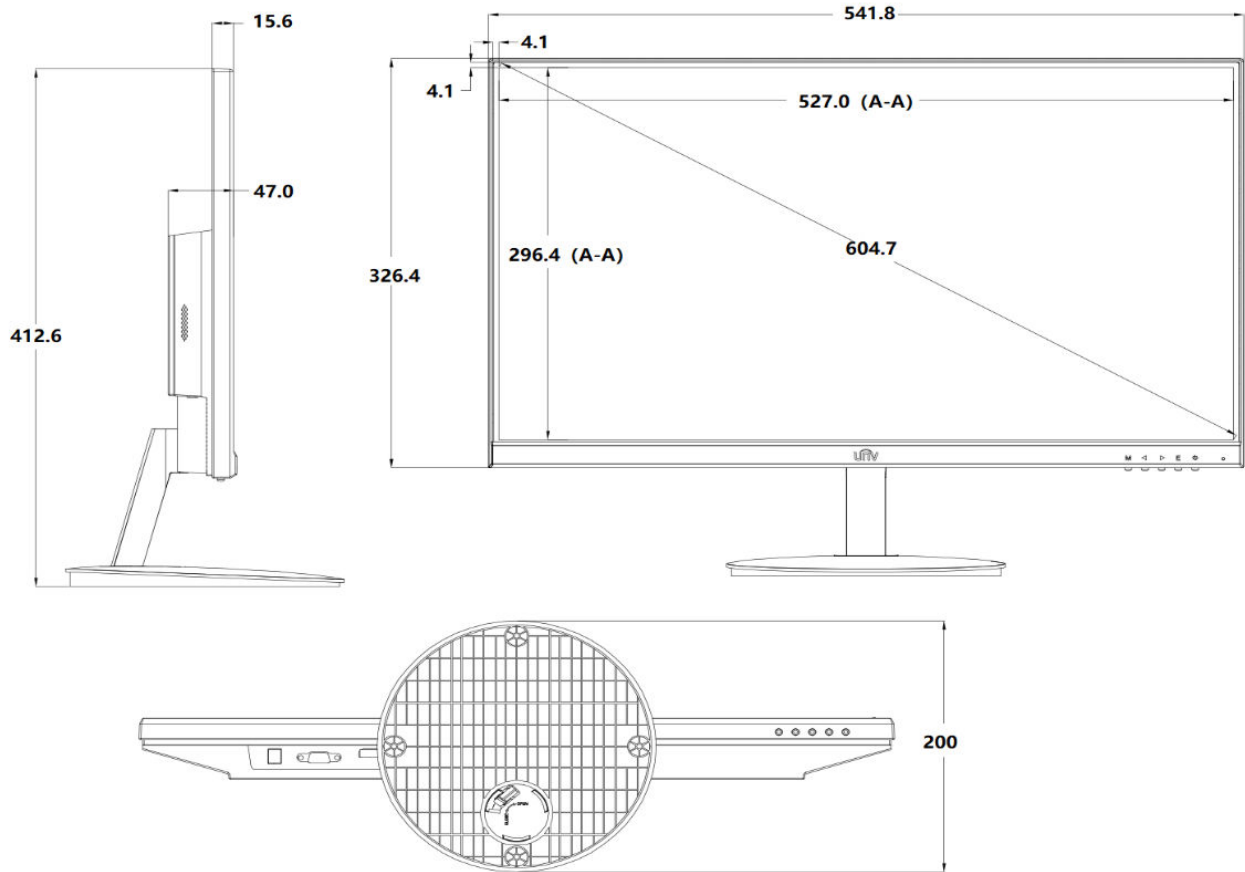
Model	MW3224-V
<b>Display</b>	
Display Type	LED Backlight
Screen Size	23.8"
Aspect Ratio	16:9
Pixel Pitch(mm)	0.2745* 0.2745
Max Resolution	1920*1080
Brightness	250 cd/m <sup>2</sup>
Contrast	1000:1
Response Time	14ms
Color	16.7M
Viewing Angle	Horizontal 178°, Vertical 178°
Refresh Rate	60Hz
<b>Interface</b>	
Input	1*VGA, 1*HDMI
<b>Audio</b>	
Audio Input	1, 3.5 mm mini-jack
Speaker	2 * 1.5W
<b>OSD</b>	
Multi- Language	2(English, Simplified Chinese )
<b>Mounting</b>	
VESA	100mm * 100mm
Wall-mounted Thread	4-M4 Threaded hole, depth 10mm
<b>General</b>	
Power supply	DC 12V, 2A
Consumption	<24 W(on) <0.5 W(Standby)
Operation Temperature	0°C ~ 40 °C(32°F~104°F)
Operating Humidity	20%~85% (No Condensation)
Storage Temperature	-10°C ~50°C (14°F~122°F)
Storage Humidity	10%~90% (No Condensation)
Dimension (W×H×D)	541.8mm * 412.6mm * 200mm(With Pedestal) 21.33"*16.24"*7.87"(With Pedestal)
Package(W×H×D)	606mm * 405mm * 125mm (23.86" * 15.94" * 4.92")
Weight	Net Weight:3.3Kg(7.28lb) Gross Weight:4.6Kg(10.14lb)
<b>Accessory</b>	
Standard	HDMI cable, Power cable, Adapter, Pedestal, Quick Guide

Optional

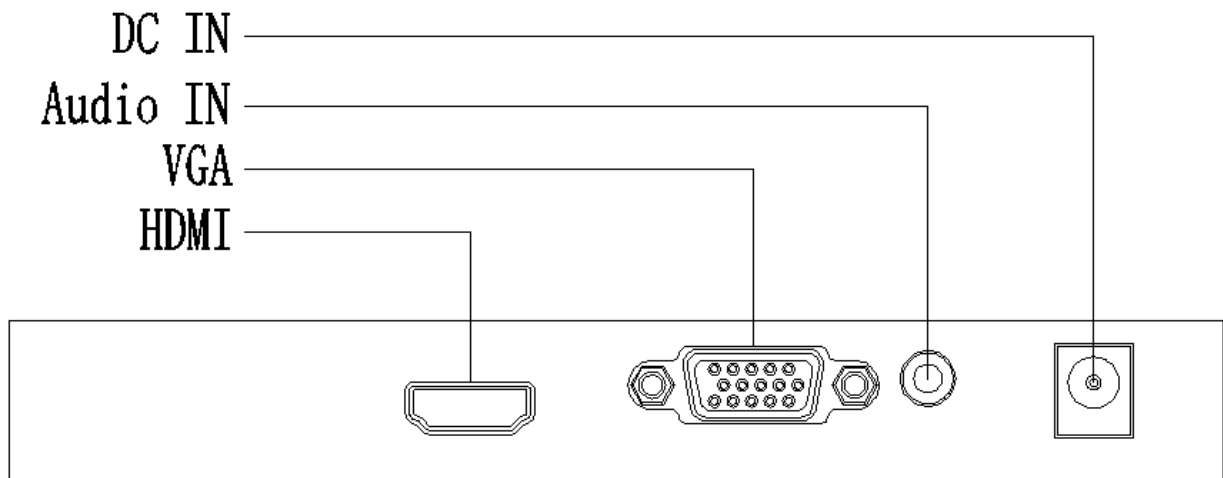
Hanging bracket(Model: HB-4022-E)

## Appearance

## Dimensions



## Interfaces



**Zhejiang Uniview Technologies Co.,Ltd.**

Building No.10, Wanlun Science Park, Jiangling Road 88, Binjiang District, Hangzhou, Zhejiang, China

Email: [overseasbusiness@uniview.com](mailto:overseasbusiness@uniview.com); [globalsupport@uniview.com](mailto:globalsupport@uniview.com)

<http://www.uniview.com>

©2021 Zhejiang Uniview Technologies Co.,Ltd. All rights reserved.

\*Product specifications and availability are subject to change without notice.