

4K Starlight OmniView Network Camera

IPC8542ER5-DUG



Key Features

Optics

- Fifth-generation infrared technology, up to 50m (164ft) IR distance
- Starlight illumination
- IR anti-reflection window to increase the infrared transmittance
- Smart IR
- 2D/3D DNR (Digital Noise Reduction)
- 120dB true WDR
- Support a horizontal viewing angle of 180°

Compression

- Ultra H.265, H.265, H.264, MJPEG
- Triple streams
- Customized OSD
- 4096×1800@30fps supported

Network

- ONVIF Conformance

Structure

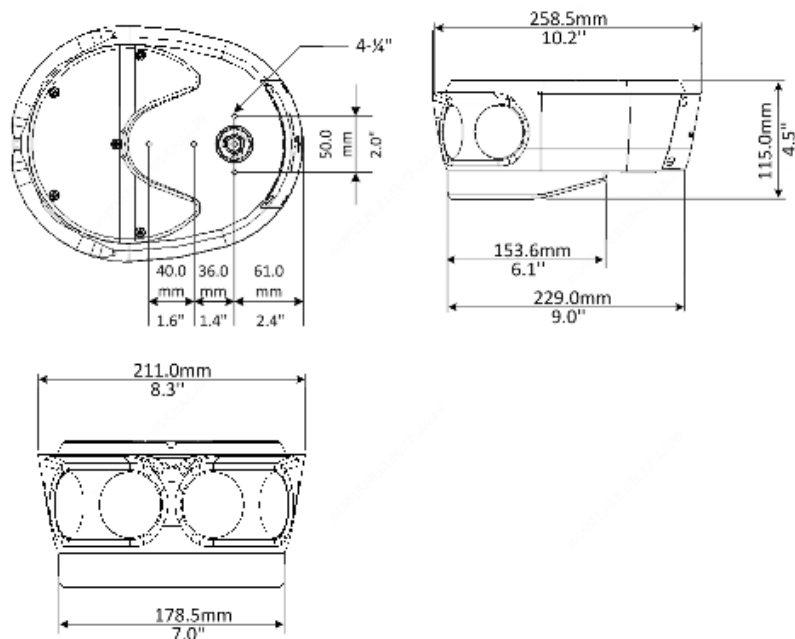
- Intelligent temperature control technology
- Wide temperature range: -40°C to 70°C (-40°F to 158°F)
- Wide voltage range of ±25%
- More effective heat dissipation system
- IP67

Specifications

	IPC8542ER5-DUG				
Camera					
Sensor	1/1.8" progressive scan, 2.0 megapixel, CMOS				
Lens	4 × 4.2mm lens				
DORI Distance	Lens	Detect(m)	Observe(m)	Recognize(m)	Identify(m)
	4.2mm	50.4 (165.4ft)	20.2(66.3ft)	10.1(33.1ft)	5.0(16.4ft)
Field of View (H)	180°				
Field of View (V)	80°				
Field of View (D)	221.4°				
Adjustment angle	Pan: -90°~90°			Tilt: -45°~60°	
Shutter	Auto/Manual, shutter time: 1 s ~ 1/100000 s				
Minimum Illumination	Colour: 0.002lux (F1.8,AGC ON) 0lux with IR				
Iris	F1.8				
Day/Night	IR-cut filter with auto switch (ICR)				
S/N	>55 dB				
IR Range	UP to 50m (164ft)				
Defog	Digital Defog				
WDR	120dB				
Video					
Video Compression	Ultra H.265,H.265, H.264, MJPEG				
Frame Rate	Main Stream: 4096×1800:Max. 30 fps; Sub Stream: 1920×832:Max. 30 fps; Third Stream: 1280×560: Max. 30 fps				
HLC	Supported				
BLC	Supported				
OSD	Up to 8 OSDs				
Privacy Mask	Up to 8 areas(8 blacks/8 mosaics)				
ROI	Up to 8 areas				
Smart					
Behavior Detection	Cross Line detection, Intrusion detection, Motion detection				
Exception Detection And Statistics	Object Removed, Object Left Behind, Defocus, Scene Change				
Recognition	Audio detection				
Statistical Analysis	People counting				
General Function	Watermark, IP Address Filtering, Tampering Alarm, Alarm input, Alarm output, Access Policy, ARP Protection, RTSP Authentication, User Authentication				
Audio					
Audio Compression	G.711				
Two-way Audio	Supported				
Suppression	Supported				
Sampling Rate	8KHz				
Storage					

Edge Storage	Micro SD, up to 256 GB
Network Storage	ANR
Network	
Protocols	IPv4, IGMP, ICMP, ARP, TCP, UDP, DHCP, PPPoE, RTP, RTSP, RTCP, DNS, DDNS, NTP, FTP, UPnP, HTTP, HTTPS, SMTP, 802.1x, SNMP, QoS
Compatible Integration	ONVIF (Profile S, Profile G, Profile T), API
Interface	
Audio I/O	1 Input: impedance 35 kΩ; amplitude 2 V [p-p]
	1 Output: impedance 600 Ω; amplitude 2 V [p-p]
Alarm I/O	2/1
Network	1*100M/1000M Base-FX SFP + 2*10M/100M/1000M Base-TX Ethernet
Certification	
EMC	CE-EMC (EN 55032: 2015+A1:2020, EN 61000-3-3: 2013+A1: 2019, EN IEC 61000-3-2: 2019+A1: 2021, EN 55035: 2017+A11:2020) FCC (FCC CFR 47 part15 B, ANSI C63.4-2014)
Safety	CE LVD (EN 62368-1:2014+A11:2017) CB (IEC 62368-1:2014) UL (UL 62368-1, 2nd Ed., Issue Date: 2014-12-01)
Environment	CE-RoHS (2011/65/EU;(EU)2015/863); WEEE (2012/19/EU); Reach (Regulation (EC) No 1907/2006)
Protection	IP67 (IEC 60529:1989+AMD1:1999+AMD2:2013)
General	
Power	AC24V±25%/DC24V support 18V-48V
	Power consumption: 45W MAX
Dimensions	259mmx211mmx115mm ((10.2"×8.3"×4.5"))
Weight	2.4kg(5.3lb)
Working Environment	-40°C ~ +70°C (-40°F ~ 158°F), Humidity:10%~95% RH(non-condensing)
Reset Button	Supported

Dimensions



Zhejiang Uniview Technologies Co., Ltd.

South Tower, Building 10, Wanlun Science Park, 88 Jiangling Road, Hangzhou, P.R.China 310051

Email: overseasbusiness@uniview.com; globalsupport@uniview.com

<http://www.uniview.com>

©2019-2022 Zhejiang Uniview Technologies Co., Ltd. All rights reserved.

*Product specifications and availability are subject to change without notice.