

# 2MP LightHunter Active Deterrence PTZ Camera

IPC6312LFW-AX4C-VG



## Key Features



- High quality image with 2MP, 1/2.7"CMOS sensor
- Ultra 265, H.265, H.264, MJPEG
- Smart intrusion prevention, support false alarm filtering, include Cross Line, Intrusion, Enter Area, Leave Area detection
- People Counting, support people flow counting and crowd density monitoring, suitable for different statistical scenarios
- LightHunter technology ensures ultra-high image quality in low illumination environment
- Up to 120 dB Optical WDR (Wide Dynamic Range)
- Built-in Mic & Speaker
- Smart IR, Up to 50 m (164 ft) IR distance and 10m (33 ft) warm light distance
- Micro SD, up to 256GB
- IP66 protection
- DC12V or PoE (IEEE 802.3af) power supply

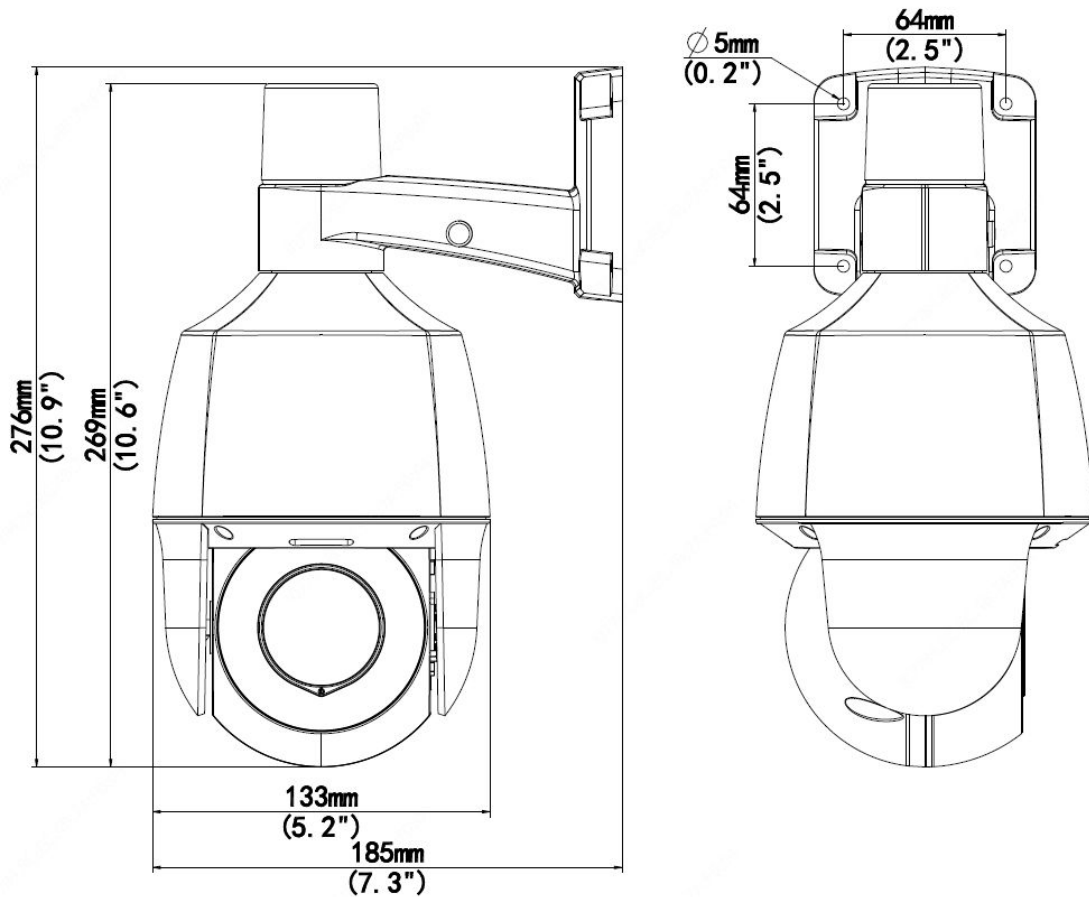
## Specifications

IPC6312LFW-AX4C-VG					
<b>Camera</b>					
Sensor	1/2.7" progressive scan, 2.0 megapixel, CMOS				
Min. Illumination	Colour: 0.002Lux (F1.6, AGC ON) 0Lux with IR on				
Day/Night	IR-cut filter with auto switch (ICR)				
Shutter	Auto/Manual, shutter time: 1 s ~ 1/100000 s				
WDR	120dB				
S/N	>52dB				
<b>Lens</b>					
Lens type	2.8~12mm, AF automatic focusing and motorized zoom lens				
Optical Zoom	4				
Iris	Fixed; F1.6				
Field of View (H)	105.2° ~ 29.32°				
Field of View (V)	52.6° ~ 16.38°				
Field of View (D)	108.7° ~ 33.3°				
<b>DORI</b>					
DORI Distance	Lens (mm)	Detect (m)	Observe (m)	Recognize (m)	Identify (m)
	2.8mm	43.4 (142.4ft)	17.4 (57.1ft)	8.7 (28.5ft)	4.3 (14.1ft)
	12mm	186.2 (610.9ft)	74.5 (244.4ft)	37.2 (122.1ft)	18.6 (61.0ft)
<b>Illuminator</b>					
IR Range	Up to 50m (164ft)				
Warm Light Range	Up to 10m (33ft)				
Wavelength	850nm				
IR On/Off Control	Auto/Manual				
<b>Video</b>					
Video Compression	Ultra 265, H.265, H.264, MJPEG				
Frame Rate	Main Stream: 2MP (1920*1080), Max 30fps; 720P (1280*720), Max 30fps; Sub Stream: 720P (1280*720), Max 30fps; D1 (720*576), Max 30fps; 640*360,Max 30fps; 2CIF(704*288), Max 30fps; CIF(352*288), Max 30fps; Third Stream: D1 (720*576), Max 30fps; 640*360,Max 30fps; 2CIF(704*288), Max 30fps; CIF(352*288), Max 30fps;				
Video Bit Rate	128 Kbps ~ 16 Mbps				
ROI	Support				
Video Stream	Triple streams				
OSD	Up to 8 OSDs				
Privacy Mask	Up to 4 areas				
<b>Image</b>					
White Balance	Auto/Outdoor/Fine Tune/Sodium Lamp/Locked/Auto2				
Digital Noise Reduction	2D/3D DNR				
Smart IR	Support				
Flip	Normal/Flip Vertical/Flip Horizontal/180°/90°Clockwise/90°Anti-clockwise				
HLC	Support				
BLC	Support				

Defog	Digital Defog
<b>Intelligent</b>	
Smart Intrusion Prevention	Support false alarm filtering: Cross Line detection, Intrusion detection, Enter Area detection, Leave Area detection
People Counting	Support people flow counting and crowd density monitoring
<b>Events</b>	
Basic Detection	Motion detection, Audio detection, Tampering Alarm
Auto Tracking	Support
General Function	Watermark, IP Address Filtering, Access Policy, ARP Protection, RTSP Authentication, User Authentication
<b>Audio</b>	
Audio Compression	G.711U,G.711A
Two-way Audio	Support
Suppression	Support
Sampling Rate	8 kHz
<b>Storage</b>	
Edge Storage	Micro SD, up to 256 GB
Network Storage	ANR,NAS(NFS)
<b>Network</b>	
Protocols	IPv4, IGMP, ICMP, ARP, TCP, UDP, DHCP , PPPoE, RTP, RTSP, RTCP, DNS, DDNS, NTP, FTP, UPnP, HTTP, HTTPS, SMTP , 802.1x , SNMP, SSL
Compatible Integration	ONVIF (Profile S, Profile G, Profile T), API
Client	EZStation EZLive EZView
Web Browser	Plug-in required live view: IE 10 and above, Chrome 45 and above, Firefox 52 and above, Edge 79 and above
<b>Pan &amp; Tilt</b>	
Pan Range	0° ~ 345°
Pan Speed	0.1°/s ~ 50°/s
	Preset speed: 50°/s
Tilt Range	-10° ~ 110°
Tilt Speed	0.1°/s ~ 40°/s
	Preset speed: 40°/s
Number of Presets	256
Preset Patrol	16 patrols, up to 64 presets for each patrol
Patrol Stay Time	120s~1800s
Home Position	Support
<b>Interface</b>	
Built-in Mic	Support
Built-in Speaker	Support
Network	1 * RJ45 10M/100M Base-TX Ethernet
Alarm Light	Support
<b>Certification</b>	
EMC	CE-EMC (EN55032:2015, EN55024:2010+A1:2015, EN55035:2017, EN61000-3-2:2014, EN61000-3-3:2013) FCC (FCC CFR 47 part15 B, ANSI C63.4-2014)
Safety	CE LVD (EN 62368-1:2014+A11:2017) CB (IEC 62368-1:2014) UL (UL 62368-1, 2nd Ed., Issue Date: 2014-12-01)
Environment	CE-ROHS (2011/65/EU;(EU)2015/863)

Protection	IP66 (IEC 60529:1989+AMD1:1999+AMD2:2013)
<b>General</b>	
Power	DC12V(±25%), PoE (IEEE 802.3af)
	Power consumption: MAX 15W
Power Interface	Ø 5.5mm coaxial power plug
Dimensions (Ø x H)	Ø133mm*269mm (Ø5.2"x 10.6")
Weight	0.87 kg (1.92lb)
Working Environment	-20°C ~ 60°C (-4°F to 140°F), Humidity: ≤95% RH(non-condensing)
Storage Environment	-40°C ~ 70°C (-40°F to 158°F), Humidity: ≤95% RH(non-condensing)
Surge Protection	2KV
Reset Button	Support

## Dimensions



## Accessories

TR-JB07-D-IN

Junction Box



TR-UP06-B-IN

Pole Mount



TR-UP06-C-IN

Pole Mount



TR-A01-IN

Waterproof Joint



TR-CM06-D

Pendent Mount



### Zhejiang Uniview Technologies Co., Ltd.

South Tower, Building 10, Wanlun Science Park, 88 Jiangling Road, Hangzhou, P.R.China 310051

Email: [overseasbusiness@uniview.com](mailto:overseasbusiness@uniview.com); [globalsupport@uniview.com](mailto:globalsupport@uniview.com)

<http://www.uniview.com>

©2022 Zhejiang Uniview Technologies Co., Ltd. All rights reserved.

\*Product specifications and availability are subject to change without notice.