

# 2MP ANPR Bullet Camera

HC121



## Features

### Optics

- Starlight optical sensor and integrated illuminator for vehicle capture and recognition in low-light environments.
- 4 LED illumination beads provide up to 50m illumination.
- 2MP industrial-grade sensor delivers 1920 x 1080 images.
- Motorized zoom lens enables flexible focal length adjustment and easy installation.
- Automatic gain control, white balance, and WDR for various light conditions.

### Compression

- Up to 1080P@60fps image collection format.
- 1 image stream, 3 video streams.
- Up to 1080P@60fps live video streams.
- Advanced H.265 encoding technology improves compression efficiency.
- Custom OSD allows various vehicle information to be overlaid on the video image.

### Functions

- Built-in vehicle&license plate recognition algorithm can recognize standard license plates of multiple countries.
- Supports capturing vehicle head only.
- Supports allowlist and blocklist configuration.
- Supports vehicle access control when connected to a barrier.
- Supports Micro SD cards of up to 128GB.
- Supports Automatic Network Replenishment (ANR), the camera can automatically store video to its SD card in case of network disconnection.
- Supports audio acquisition and intercom.

### Network

- Network auto-adaptability ensures fluent live video in relatively bad

network conditions such as packet loss.

- Supports SNMP.
- Supports UNP for NAT traversal between public and private networks.
- Supports integration by the third party via SDK or HTTP.

### Network Security

- Supports authorized user access by password. Weak password detection and account lock-up when failed login attempts reach the upper limit enhance password security.
- Supports HTTPS.
- RTSP authentication prevents unauthorized video stream requests.
- IP address filtering prevents illegal access from untrusted IP addresses.
- Gateway ARP protection prevents MAC address spoofing.

### Structure

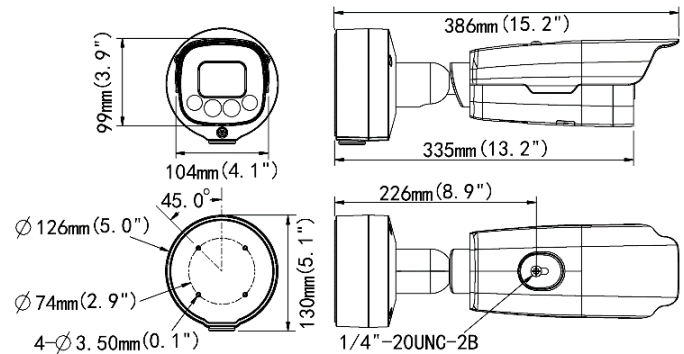
- Supports DC 12V, and PoE (802.3at) power supplies.
- Cast aluminum body offers excellent heat dissipation.
- 3-axis mounting bracket for various installation scenarios.
- Junction box for cabling.
- IP67, IK10.

## Specifications

| Camera                  | Description  |
|-------------------------|--|
| Sensor                  | 1/2.8" 2MP CMOS  |
| Focal length            | 4.7 to 47mm, motorized zoom  |
| Shutter                 | Auto/Manual, range: 1/25 to 1/100000 s   |
| Minimum illumination    | 0.001lux (F1.6)  |
| Image                   | Description  |
| Image collection format | 1080P@25 (default), 1080P@30, 1080P@50, 1080P@60   |
| Resolution              | Main stream: 1080P (default), 720P, D1<br>Sub stream: 720P (default), D1, 2CIF, CIF<br>Third stream: D1 (default), 2CIF, CIF   |
| Frame rate              | 60, 50, 30, 25 (default), 22, 20, 18, 16, 15, 12.5, 10, 8, 6, 5, 4, 3, 2, 1  |
| Video compression       | H.264 (default), H.265   |
| ROI                     | Supports up to 8 regions   |
| Video OSD               | Supports 8 overlay areas and allows contents including date, time, date&time, zoom ratio, custom contents  |
| Image OSD               | Supports 8 overlay areas and allows contents including time, license plate number, device ID, camera ID, allowlist, image authentication ID, custom contents (3 items), location |
| Smart                   | Description  |
| Application scenario    | Vehicle speed ≤30km/h<br>Supports simultaneous application to entry/exit scenes  |

|                                  |   |
|----------------------------------|---|
| Vehicle detection mode           | Video (default) or inductive loop   |
| Capture vehicle head only        | Support   |
| License plate number recognition | Supports recognition of license plates with numbers and letters by default  |
| List configuration               | Supports allowlist and blocklist configuration, each list allows 20,000 items<br>Supports import, export, add, and delete operations  |
| Barrier opening policy           | Open barrier only for the recognized vehicles<br>Open barrier for all vehicles<br>Open barrier only for vehicles on the allowlist<br>Open barrier for vehicles not on the blocklist<br>Configurable Boolean output ID |
| <b>Storage</b>                   | <b>Description</b>  |
| Edge storage                     | Supports ANR with a Micro SD card, up to 128GB  |
| <b>Structure</b>                 | <b>Description</b>  |
| Illumination                     | Built-in integrated illumination module, including 4 white light LEDs, 50m illumination distance, automatic on/off control  |
| Sunshield                        | Long sunshield  |
| Bracket                          | 3-axis mounting bracket   |
| Junction box                     | The camera comes with a junction box for storing tail cable   |
| <b>Interface</b>                 | <b>Description</b>  |
| Network interface                | 1 × 10M/100M RJ45   |
| Serial port                      | 1 × RS485   |
| Boolean output                   | 1 relay output, withstand voltage: AC 125V/0.3A, DC 30V/1A  |
| Boolean input                    | 2 inputs, supports level/Boolean, with max level up to DC 5V  |
| Audio interface                  | 1 × audio input, 1 × audio output   |
| Storage interface                | 1 × Micro SD card slot  |
| <b>General</b>                   | <b>Description</b>  |
| Power supply                     | DC12V + 25% - 10%   |
|                                  | Max. power consumption: 20W   |
|                                  | Supports PoE (802.3at, class 4)   |
| Dimensions (L×W×H)               | 386mm x 126mm x 130mm   |
| Weight                           | 2kg   |
| Operating environment            | -40°C to 60°C, ≤90% RH  |
| Ingress protection               | IP67, IK10  |

## Dimensions




## Application

The HC121 series is mainly used to recognize vehicle license plates on roads of the entrance/exit of parks. With an intelligent illumination system, it can detect, recognize and capture vehicles in all weather conditions. It features high vehicle capture rate and high plate recognition accuracy.

## Order Information

| Model | Configuration | Remarks  |
|-------|---------------|--|
| HC121 | TS8C-Z        | 2MP ANPR Bullet Camera (4.7 to 47mm, starlight, PoE, H.265, white light) |

## Recommended Accessories

| Mount         | Bracket          | Example   | Remarks                                     |
|---------------|------------------|---|---|
| Wall mount    | \                | \   | Use the mount kit delivered with the camera |
| Pendant mount | \                | \   | Use the mount kit delivered with the camera |
| Pole mount    | TR-UP06<br>-C-IN |  | Pole Mount Adapter                          |

### Zhejiang Uniview Technologies Co., Ltd.

Building No.10, Wanlun Science Park, Jiangling Road 88, Binjiang District, Hangzhou, Zhejiang, China

Email: [overseasbusiness@uniview.com](mailto:overseasbusiness@uniview.com); [globalsupport@uniview.com](mailto:globalsupport@uniview.com)

<http://www.uniview.com>

©2022 Zhejiang Uniview Technologies Co., Ltd. All rights reserved.

\*Product specifications and availability are subject to change without notice.