

# Fixed Dome Plate Mount

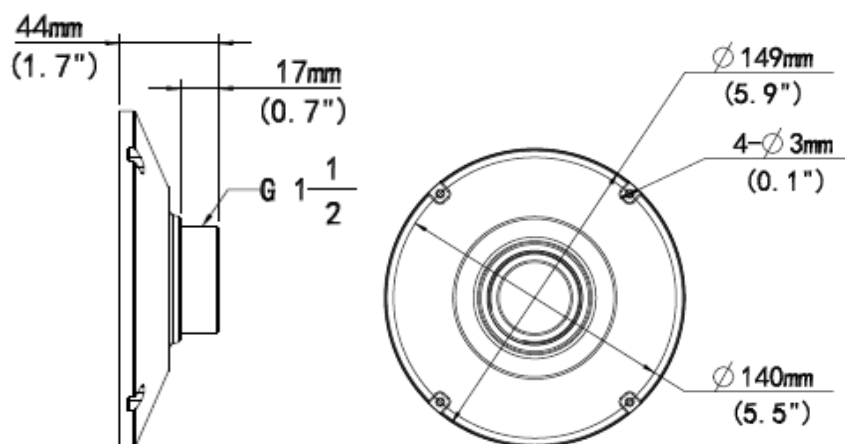
## TR-UF45-H-IN



### Specifications

Bracket	TR-UF45-H-IN
Application	Wall or pendant installation for Fixed Dome
Dimensions	Φ149mmx44mm(Φ5.9" x1.7")
Weight	0.22kg(0.49 lb)
Material	Aluminum alloy

### Dimensions



**Zhejiang Uniview Technologies Co.,Ltd.**

South Tower, Building 10, Wanlun Science Park, 88 Jiangling Road, Hangzhou, P.R.China 310051

Email: [overseasbusiness@uniview.com](mailto:overseasbusiness@uniview.com); [globalsupport@uniview.com](mailto:globalsupport@uniview.com)

<http://www.uniview.com>

©2015-2017 Zhejiang Uniview Technologies Co.,Ltd. All rights reserved.

\*Product specifications and availability are subject to change without notice.