

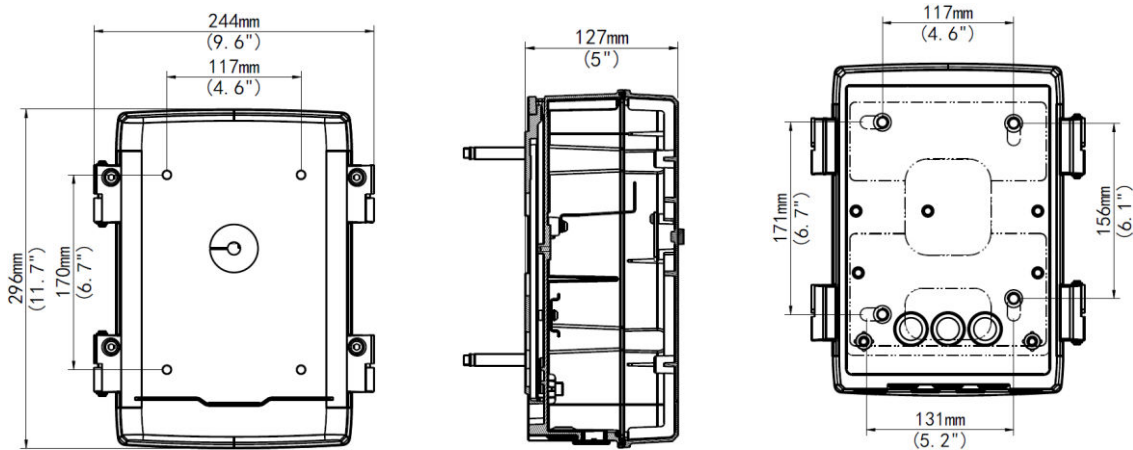
# TR-JB12-IN 12-inch Junction Box



## Specifications

Model	TR-JB12-IN
Application	Outdoor or indoor cable junction box for PTZ Dome series
Dimensions	296mmx244mmx127mm (11.7" x9.6" x5")
Weight	2.5kg(5.5lb)
Material	Aluminium alloy

## Dimensions



### Zhejiang Uniview Technologies Co.,Ltd.

South Tower, Building 10, Wanlun Science Park, 88 Jiangling Road, Hangzhou, P.R.China 310051

Email: [overseasbusiness@uniview.com](mailto:overseasbusiness@uniview.com); [globalsupport@uniview.com](mailto:globalsupport@uniview.com)

<http://www.uniview.com>

©2015 Zhejiang Uniview Technologies Co.,Ltd. All rights reserved.

\*Product specifications and availability are subject to change without notice.